

# STR-DA2100ES

## SERVICE MANUAL

Ver. 1.2 2006.02

US Model  
Canadian Model



This receiver incorporates Dolby\* Digital and Pro Logic Surround and the DTS\*\* Digital Surround System.

\* Manufactured under license from Dolby Laboratories.

“Dolby”, “Pro Logic” and the double-D symbol are trademarks of Dolby Laboratories.

\*\*“DTS”, “DTS-ES”, “Neo:6” and “DTS 96/24” are trademarks of Digital Theater Systems, Inc.

### SPECIFICATIONS

#### AUDIO POWER SPECIFICATIONS

POWER OUTPUT AND TOTAL HARMONIC DISTORTION:  
(Models of area code U only)

With 8 ohm loads, both channels driven, from 20 – 20,000 Hz; rated 110 watts per channel minimum RMS power, with no more than 0.09% total harmonic distortion from 250 milliwatts to rated output

#### Amplifier section

Power output

Models of area code U, CA

Rated Power Output at Stereo Mode

(8 ohms 20 Hz – 20 kHz, THD 0.09%)

110 W + 110 W<sup>1)</sup>

(8 ohms 1 kHz, THD 0.7%)

120 W + 120 W<sup>1)</sup>

(8 ohms 1 kHz, THD 10%)

150 W + 150 W<sup>1)</sup>

Reference Power Output<sup>1)</sup>

(8 ohms 20 Hz – 20 kHz, THD 0.09%)

FRONT<sup>2)</sup>: 110 W/ch

CENTER<sup>2)</sup>: 110 W

SURR<sup>2)</sup>: 110 W/ch

SURR BACK<sup>2)</sup>: 110 W/ch

(8 ohms 1 kHz, THD 0.7%)

FRONT<sup>2)</sup>: 120 W/ch

CENTER<sup>2)</sup>: 120 W

SURR<sup>2)</sup>: 120 W/ch

SURR BACK<sup>2)</sup>: 120 W/ch

(8 ohms 1 kHz, THD 10%)

FRONT<sup>2)</sup>: 150 W/ch

CENTER<sup>2)</sup>: 150 W

SURR<sup>2)</sup>: 150 W/ch

SURR BACK<sup>2)</sup>: 150 W/ch

1) Measured under the following conditions  
120 V AC, 60 Hz

2) Depending on the sound field settings and the source, there may be no sound output

#### Frequency response

PHONO RIAA equalization curve  
±0.5 dB

MULTI CH IN,  
SA-CD/CD, TV/SAT,  
MD/TAPE, DVD,  
VIDEO 1, 2, 3  
10 Hz – 100 kHz  
+0.5/-2 dB (with sound  
field and equalizer  
bypassed)

#### Inputs (Analog)

PHONO Sensitivity: 8 mV  
Impedance: 50 kilohms  
S/N<sup>3)</sup>: 86 dB  
(A, 8 mV<sup>4)</sup>)

MULTI CH IN,  
SA-CD/CD, TV/SAT,  
MD/TAPE, DVD,  
VIDEO 1, 2, 3  
Sensitivity: 500 mV  
Impedance: 50 kilohms  
S/N<sup>3)</sup>: 96 dB  
(A, 500 mV<sup>4)</sup>)

3) INPUT SHORT (with sound field and equalizer bypassed)

4) Weighted network, input level

#### Inputs (Digital)

DVD, SA-CD/CD  
(Coaxial) Sensitivity: –  
Impedance: 75 ohms  
S/N: 100 dB  
(A, 20 kHz LPF)

TV/SAT, SA-CD/CD,  
MD/TAPE, VIDEO 3  
(Optical) Sensitivity: –  
Impedance: –  
S/N: 100 dB  
(A, 20 kHz LPF)

#### Outputs (Analog)

MD/TAPE (OUT),  
VIDEO 1, 2  
(AUDIO OUT) Voltage: 500 mV  
Impedance: 10 kilohms

SUB WOOFER Voltage: 2 V  
Impedance: 1 kilohms

#### Outputs (Digital)

MD/TAPE (Optical) Sensitivity: –

#### Equalizer

Gain levels ±10 dB, 0.5 dB step

– Continued on next page –

## FM STEREO FM/AM RECEIVER

9-879-631-03  
2006B05-1  
© 2006.02

Sony Corporation  
Home Audio Division  
Published by Sony Techno Create Corporation

# SONY®

# STR-DA2100ES

## FM tuner section

Tuning range	87.5 - 108.0 MHz
Antenna	FM wire antenna
Antenna terminals	75 ohms, unbalanced
Intermediate frequency	10.7 MHz
Sensitivity	
Mono:	18.3 dBf, 2.2 $\mu$ V/75 ohms
Stereo:	38.3 dBf, 22.5 $\mu$ V/75 ohms
Useable sensitivity	11.2 dBf, 1 $\mu$ V/75 ohms
S/N	
Mono:	76 dB
Stereo:	70 dB
Harmonic distortion at 1 kHz	
Mono:	0.3%
Stereo:	0.5%
Separation	45 dB at 1 kHz
Frequency response	30 Hz - 15 kHz, +0.5/-2 dB
Selectivity	60 dB at 400 kHz

## AM tuner section

Tuning range	
With 10-kHz tuning scale:	530 - 1,710 kHz <sup>5)</sup>
With 9-kHz tuning scale:	531 - 1,710 kHz <sup>5)</sup>
Antenna	Loop antenna
Intermediate frequency	450 kHz
Usable sensitivity	50 dB/m (at 1,000 kHz or 999 kHz)

S/N	54 dB (at 50 mV/m)
Harmonic distortion	0.5% (50 mV/m, 400 Hz)
Selectivity	
At 9 kHz:	35 dB
At 10 kHz:	40 dB

5) You can change the AM tuning scale to 9 kHz or 10 kHz. After tuning in any AM station, turn off the receiver. While holding down PRESET TUNING + or TUNING +, press I/⏏. All preset stations will be erased when you change the tuning scale. To reset the scale to 10 kHz (or 9 kHz), repeat the procedure.

## Video section

### Inputs/Outputs

Video:	1 Vp-p, 75 ohms
S-video:	Y: 1 Vp-p, 75 ohms C: 0.286 Vp-p, 75 ohms
COMPONENT VIDEO:	Y: 1 Vp-p, 75 ohms Pb/Cb/B-Y: 0.7 Vp-p, 75 ohms Pr/Cr/R-Y: 0.7 Vp-p, 75 ohms 80 MHz HD Pass Through

## General

Power requirements	120 V AC, 60 Hz
--------------------	-----------------

## Power consumption

Area code	Power consumption
U	310 W
CA	420 VA

## Power consumption (during standby mode)

0.5 W (when "INST MODE" in the CIS menu is set to "OFF")

AC outlets	2 switched, 120 W/1A MAX
------------	-----------------------------

## Dimensions (w/h/d) (Approx )

430 × 160.5 × 398.5 mm  
(16 7/8 × 6 2/8 × 15 5/8 inches) including projecting parts and controls

Mass (Approx )	14.0 kg (30 lb 14 oz)
----------------	-----------------------

## Supplied accessories

FM wire antenna (1)  
AM loop antenna (1)  
Remote commander RM-AAE001 (1)  
R6 (size-AA) batteries (2)

Design and specifications are subject to change without notice.

**Notes on chip component replacement**

- Never reuse a disconnected chip component.
- Notice that the minus side of a tantalum capacitor may be damaged by heat.

**SAFETY CHECK-OUT**

After correcting the original service problem, perform the following safety check before releasing the set to the customer:

Check the antenna terminals, metal trim, "metallized" knobs, screws, and all other exposed metal parts for AC leakage.

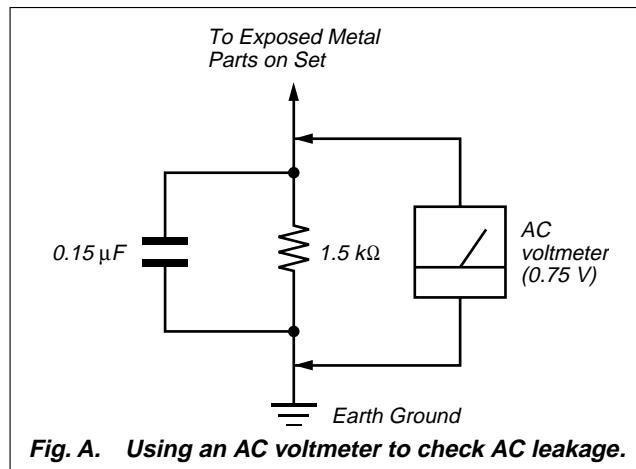
Check leakage as described below.

**LEAKAGE TEST**

The AC leakage from any exposed metal part to earth ground and from all exposed metal parts to any exposed metal part having a return to chassis, must not exceed 0.5 mA (500 microamperes.).

Leakage current can be measured by any one of three methods.

1. A commercial leakage tester, such as the Simpson 229 or RCA WT-540A. Follow the manufacturers' instructions to use these instruments.
2. A battery-operated AC milliammeter. The Data Precision 245 digital multimeter is suitable for this job.
3. Measuring the voltage drop across a resistor by means of a VOM or battery-operated AC voltmeter. The "limit" indication is 0.75 V, so analog meters must have an accurate low-voltage scale. The Simpson 250 and Sanwa SH-63Trd are examples of a passive VOM that is suitable. Nearly all battery operated digital multimeters that have a 2 V AC range are suitable. (See Fig. A)



**Fig. A. Using an AC voltmeter to check AC leakage.**

**SAFETY-RELATED COMPONENT WARNING!!**

COMPONENTS IDENTIFIED BY MARK  $\triangle$  OR DOTTED LINE WITH MARK  $\triangle$  ON THE SCHEMATIC DIAGRAMS AND IN THE PARTS LIST ARE CRITICAL TO SAFE OPERATION. REPLACE THESE COMPONENTS WITH SONY PARTS WHOSE PART NUMBERS APPEAR AS SHOWN IN THIS MANUAL OR IN SUPPLEMENTS PUBLISHED BY SONY.

**ATTENTION AU COMPOSANT AYANT RAPPORT À LA SÉCURITÉ!**

LES COMPOSANTS IDENTIFIÉS PAR UNE MARQUE  $\triangle$  SUR LES DIAGRAMMES SCHÉMATIQUES ET LA LISTE DES PIÈCES SONT CRITIQUES POUR LA SÉCURITÉ DE FONCTIONNEMENT. NE REMPLACER CES COMPOSANTS QUE PAR DES PIÈCES SONY DONT LES NUMÉROS SONT DONNÉS DANS CE MANUEL OU DANS LES SUPPLÉMENTS PUBLIÉS PAR SONY.

## TABLE OF CONTENTS

<b>1. SERVICING NOTES</b> .....	5	<b>7. EXPLODED VIEWS</b>	
<b>2. GENERAL</b> .....	6	7-1. Overall Section .....	68
<b>3. DISASSEMBLY</b>		7-2. Front Panel Section .....	69
3-1. Disassembly Flow .....	7	7-3. Base Panel Section .....	70
3-2. Case .....	7	7-4. Power Transformer Section .....	71
3-3. Front Panel Block .....	8	7-5. Chassis Section .....	72
3-4. Back Panel Block .....	8	7-6. Back Panel Section .....	73
3-5. DIGITAL Board .....	9	7-7. MAIN Board Section .....	74
3-6. MAIN Board .....	9	<b>8. ELECTRICAL PARTS LIST</b> .....	75
<b>4. TEST MODE</b> .....	10		
<b>5. ELECTRICAL ADJUSTMENTS</b> .....	11		
<b>6. DIAGRAMS</b>			
6-1. Block Diagram – DIGITAL AUDIO Section (1/2) – .....	12		
6-2. Block Diagram – DIGITAL AUDIO Section (2/2) – .....	13		
6-3. Block Diagram – ANALOG AUDIO Section – .....	14		
6-4. Block Diagram – POWER AMP Section – .....	15		
6-5. Block Diagram – VIDEO INPUT Section – .....	16		
6-6. Block Diagram – CIS, DISPLAY Section – .....	17		
6-7. Block Diagram – POWER SUPPLY Section – .....	18		
6-8. Printed Wiring Board – VIDEO (AU) Board – .....	20		
6-9. Schematic Diagram – VIDEO (AU) Board – .....	21		
6-10. Printed Wiring Board – DIGITAL Board (Component Side) – .....	22		
6-11. Printed Wiring Board – DIGITAL Board (Conductor Side) – .....	23		
6-12. Schematic Diagram – DIGITAL Board (1/5) – .....	24		
6-13. Schematic Diagram – DIGITAL Board (2/5) – .....	25		
6-14. Schematic Diagram – DIGITAL Board (3/5) – .....	26		
6-15. Schematic Diagram – DIGITAL Board (4/5) – .....	27		
6-16. Schematic Diagram – DIGITAL Board (5/5) – .....	28		
6-17. Printed Wiring Board – A/V SYNC Board – .....	30		
6-18. Schematic Diagram – A/V SYNC Board – .....	31		
6-19. Printed Wiring Board – MAIN Board – .....	32		
6-20. Schematic Diagram – MAIN Board (1/3) – .....	33		
6-21. Schematic Diagram – MAIN Board (2/3) – .....	34		
6-22. Schematic Diagram – MAIN Board (3/3) – .....	35		
6-23. Printed Wiring Boards – SPEAKER Section – .....	36		
6-24. Schematic Diagram – SPEAKER Section – .....	37		
6-25. Printed Wiring Board – VIDEO Board (Component Side) – .....	38		
6-26. Printed Wiring Board – VIDEO Board (Conductor Side) – .....	39		
6-27. Schematic Diagram – VIDEO Board (1/2) – .....	40		
6-28. Schematic Diagram – VIDEO Board (2/2) – .....	41		
6-29. Printed Wiring Board – SVIDEO Board – .....	42		
6-30. Schematic Diagram – SVIDEO Board – .....	43		
6-31. Printed Wiring Boards – DISPLAY Section – .....	44		
6-32. Schematic Diagram – DISPLAY Section – .....	45		
6-33. Printed Wiring Boards – CIS Section – .....	46		
6-34. Schematic Diagram – CIS Section – .....	47		
6-35. Printed Wiring Board – STANDBY Board – .....	48		
6-36. Schematic Diagram – STANDBY Board – .....	49		

## SECTION 1 SERVICING NOTES

### • MODEL IDENTIFICATION

#### – Back Panel –



Model	PART No.
US model	2-514-880-0□
Canadian model	2-514-880-1□

### UNLEADED SOLDER

Boards requiring use of unleaded solder are printed with the lead-free mark (LF) indicating the solder contains no lead.

(Caution: Some printed circuit boards may not come printed with the lead free mark due to their particular size)

#### **LF**: LEAD FREE MARK

Unleaded solder has the following characteristics.

- Unleaded solder melts at a temperature about 40 °C higher than ordinary solder.

Ordinary soldering irons can be used but the iron tip has to be applied to the solder joint for a slightly longer time.

Soldering irons using a temperature regulator should be set to about 350 °C.

Caution: The printed pattern (copper foil) may peel away if the heated tip is applied for too long, so be careful!

- Strong viscosity  
Unleaded solder is more viscous (sticky, less prone to flow) than ordinary solder so use caution not to let solder bridges occur such as on IC pins, etc.
- Usable with ordinary solder  
It is best to use only unleaded solder but unleaded solder may also be added to ordinary solder.

## SECTION 2 GENERAL

This section is extracted from instruction manual.

### Main unit

#### ALPHABETICAL ORDER

##### A - I

- A F D **15**
- DIRECT **10**
- DISPLAY **7**
- Display **5**
- INPUT MODE **8**
- INPUT SELECTOR **12**
- IR (receptor) **1**

##### M - O

- MAIN MENU **3**

- MASTER VOLUME -/+ **9**
- MEMORY/ENTER **4**
- MENU **24**
- MOVIE **14**
- MULTI CHANNEL DECODING (indicator) **6**
- MULTI CH IN **11**
- MUSIC **13**

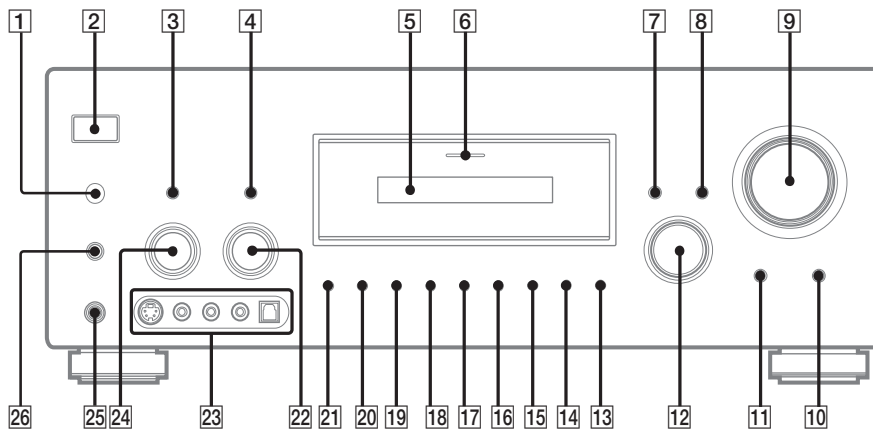
##### P - Z

- PHONES (jack) **25**
- PRESET TUNING + **20**
- PRESET TUNING - **21**

- SPEAKERS (OFF/A/B/A+B) **26**
- SURR BACK DECODING **17**
- TUNING + **18**
- TUNING - **19**
- VIDEO 3 INPUT (jacks) **23**

#### NUMBERS AND SYMBOLS

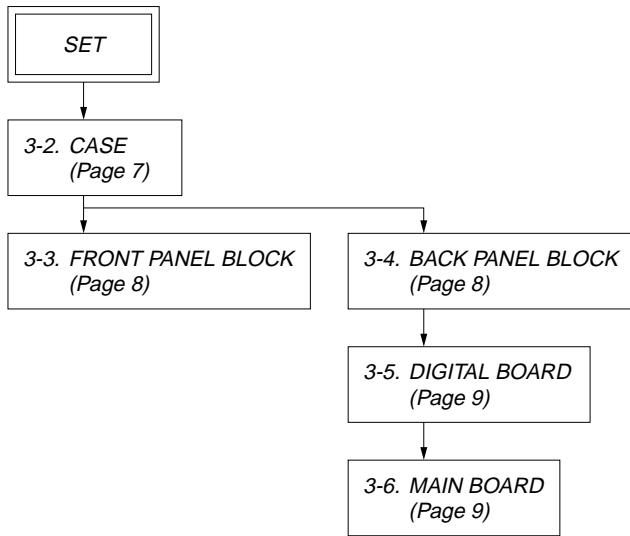
- 2CH **16**
- I/⏻ (power) **2**
- /+ **22**



## SECTION 3 DISASSEMBLY

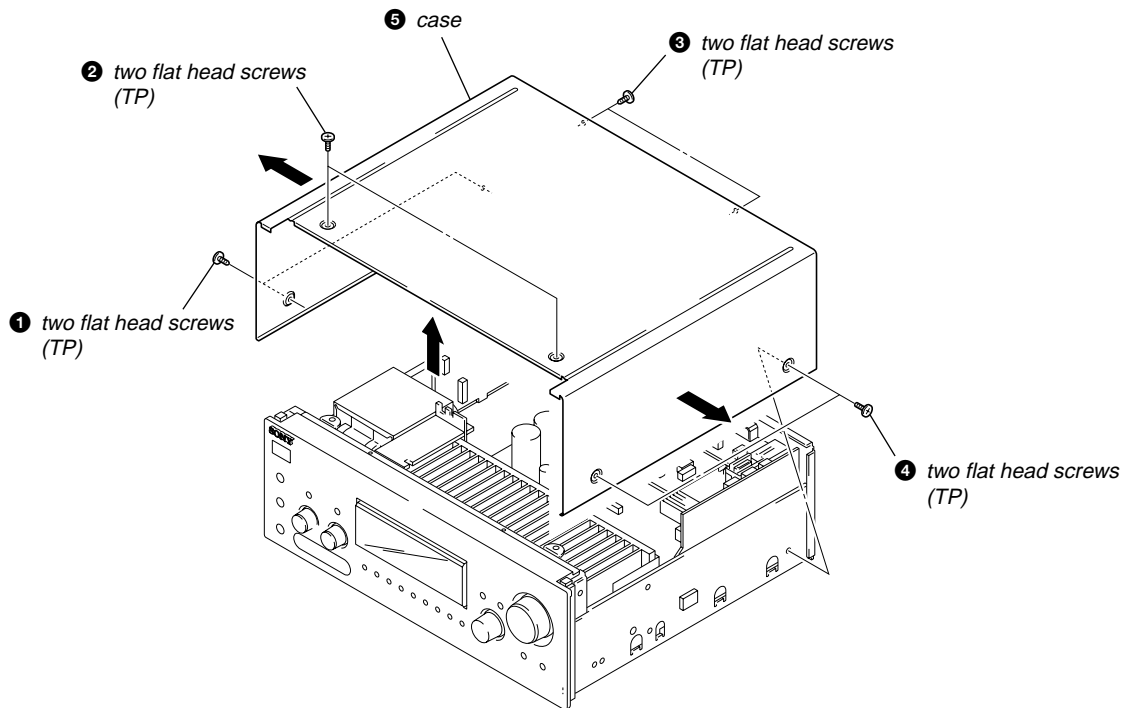
- This set can be disassembled in the order shown below.

### 3-1. DISASSEMBLY FLOW

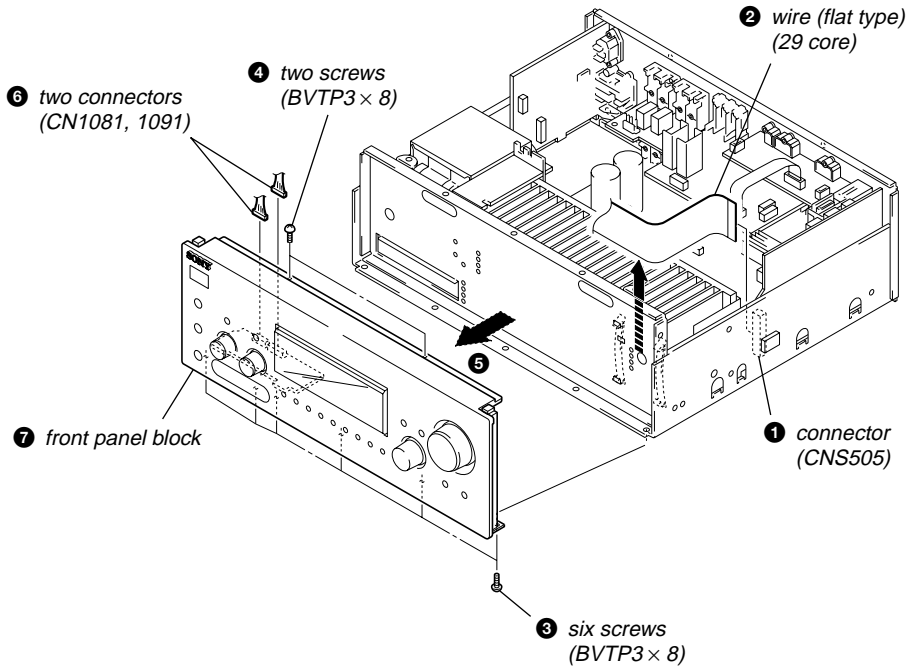


**Note:** Follow the disassembly procedure in the numerical order given.

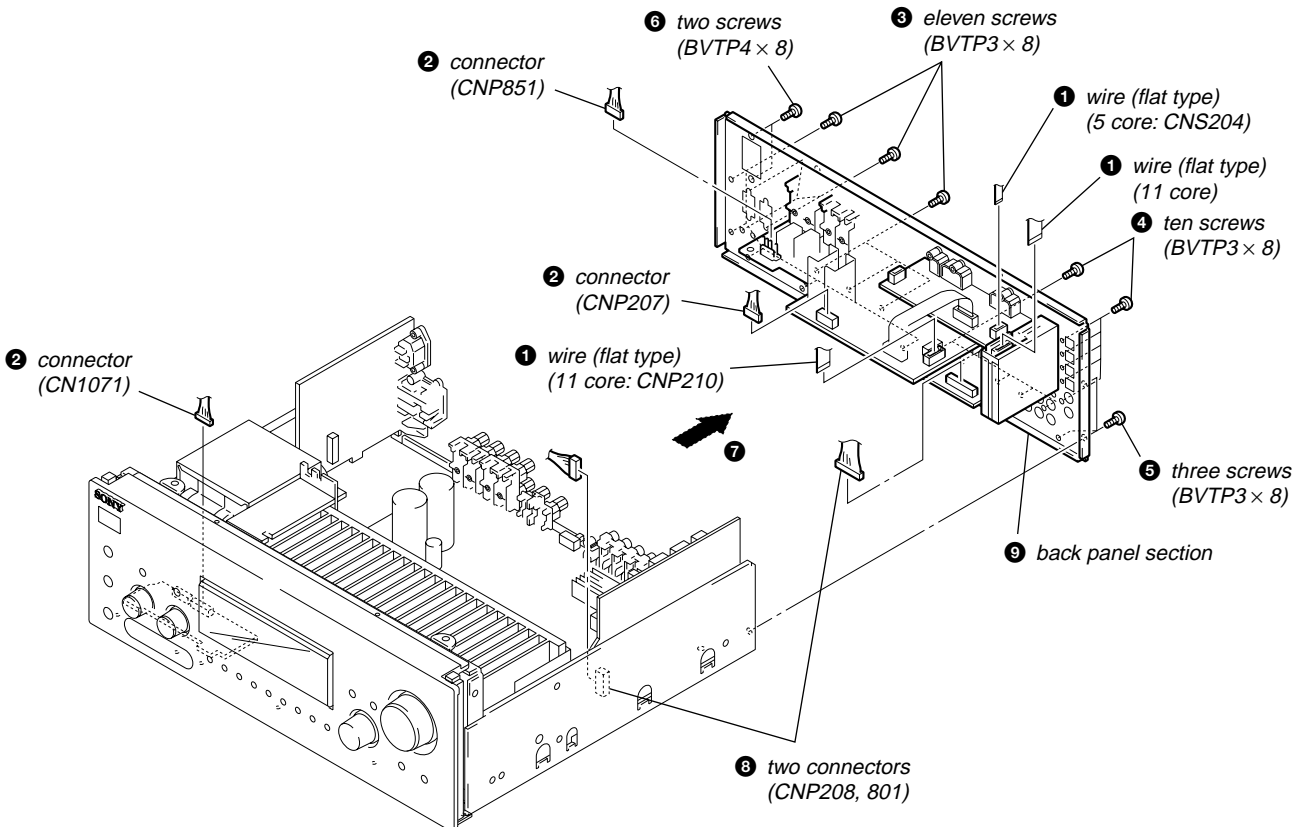
### 3-2. CASE



3-3. FRONT PANEL BLOCK

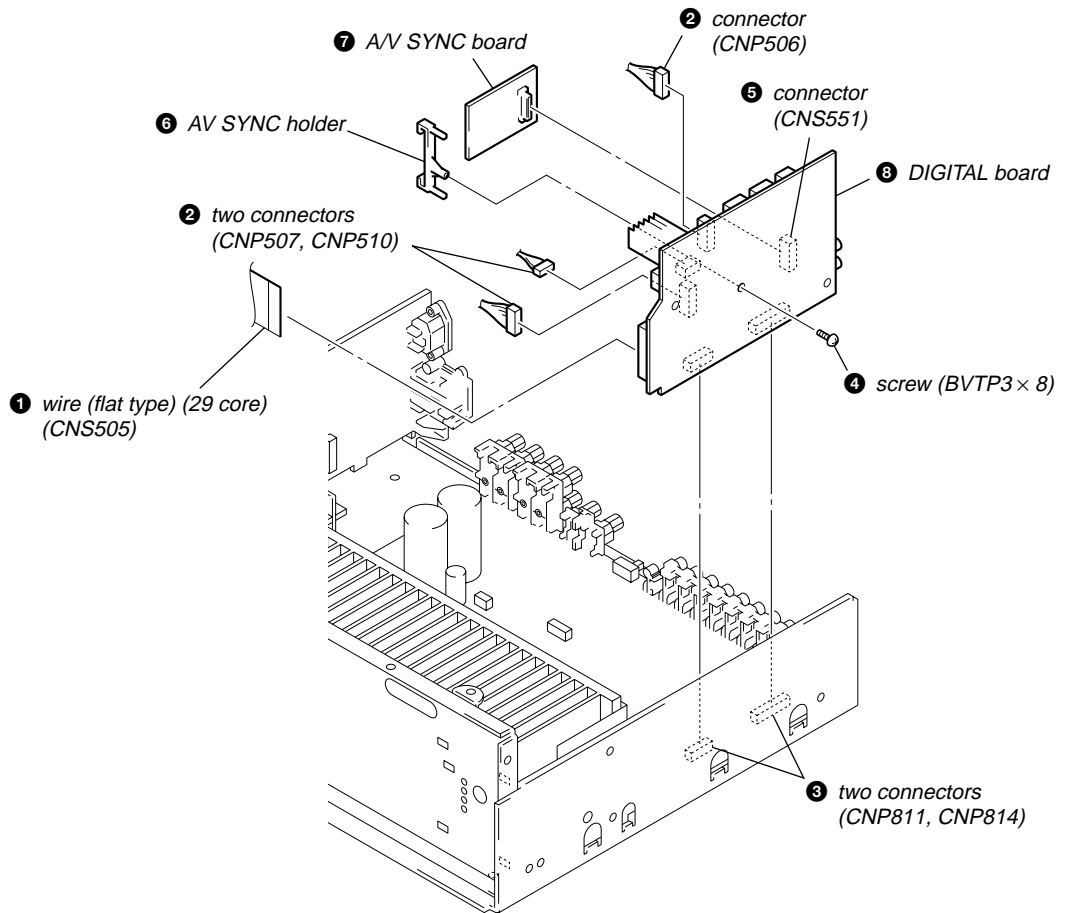


3-4. BACK PANEL BLOCK

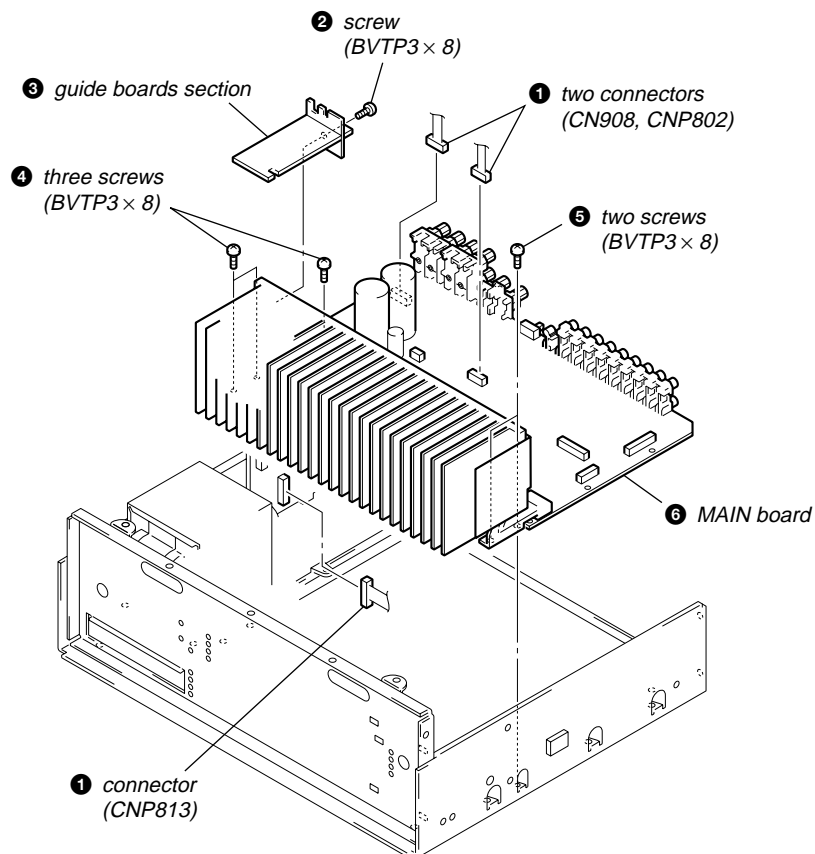




3-5. DIGITAL BOARD



3-6. MAIN BOARD



## SECTION 4 TEST MODE

### TUNER FACTORY PRESET MODE

All preset contents are reset to the default setting.

**Procedure:**

1. While pressing the **MULTICHIN** and **DISPLAY** buttons, press the **⏻** button to turn on the main power.
2. The message "FACTORY PRESET" appears and the present contents are reset to the default values.

### MEMORY CLEARING MODE

All preset contents are cleared when this mode is activated. Use this mode before returning the product to clients upon completion of repair.

**Procedure:**

1. While pressing the **MUSIC** and **SPEAKERS** buttons, press the **⏻** button to turn on the main power.
2. The message "MEMORY CLEARING" appears and the memories are reset to the default values.
3. When done, the message "MEMORY CLEARED" appears.

### VERSION MODE

When this mode is used, the model, the destination and the software version number are displayed.

**Procedure:**

1. While pressing the **DISPLAY** and **TUNING -** buttons, press the **⏻** button to turn on the main power.
2. The model, the destination and the software version number appears.

### SWAP MODE

**Procedure:**

1. While pressing the **MAIN MENU** and **PRESET TUNING -** buttons, press the **⏻** button to turn on the main power.
2. The message "SWAP MODE" appears.
3. Press the **MEMORY/ENTER** button.
4. The message "-00dB" appears. (Volume level is "MIN")
5. Press the **MEMORY/ENTER** button once again.
6. The message "-49dB" appears. (Volume level is "MID")
7. Press the **MEMORY/ENTER** button once again.
8. The message "+13dB" appears. (Volume level is "MAX")
9. Press the **MEMORY/ENTER** button once again.
10. The message "MUTING" appears.
11. Press the **MEMORY/ENTER** button once again.
12. The message "MUTING OFF" appears.

### FLUORESCENT INDICATOR TUBE PATTERN CHECK MODE

All fluorescent segments are tested. When this test is activated, all segments turn on at the same time, then each segment turns on one after another.

**Procedure:**

1. While pressing the **SPEAKER** and **TUNING -** buttons, press the **⏻** button to turn on the main power.
2. All segments and **MULTI CHANNEL DECODING** indicator LED turn on.

### TUNER AM STEP CHANGE (9 kHz/10 kHz) MODE

Either the 9 kHz step or 10 kHz step can be selected for the AM channel step.

**Procedure:**

1. Press the **⏻** button to turn on the main power.
2. Turn the **INPUT SELECTOR** dial to select the "AM"
3. Press the **⏻** button to turn off the main power.
4. While pressing the **PRESET TUNING +** or **TUNING +** button, press the **⏻** button to turn on the main power.
5. Either the message "9 K STEP" or "10 K STEP" appears. Select the desired step.

### SOUND FIELD INITIALIZE MODE

The preset sound field is cleared when this mode is activated. Use this mode before returning the product to clients upon completion of repair.

**Procedure:**

1. While pressing the **2CH** button, press the **⏻** button to turn on the main power.
2. The message "S. F. INITIALIZE" appears and initialization is performed.

### COMMAND MODE CHANGE MODE

The command mode of the remote-commander which this set receives can be changed.

**Procedure:**

1. While pressing the **INPUT MODE** button, press the **⏻** button to turn on the main power.
2. Either the message "C.MODE.AV1" or "C.MODE.AV2" appears. Select the desired mode.

### SF LOCK ON/OFF CHANGE MODE

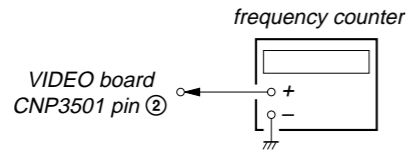
**Procedure:**

1. While pressing the **MUSIC** and **MEMORY/ENTER** buttons, press the **⏻** button to turn on the main power.
2. Either the message "SF LOCK [OFF]" or "SF LOCK [ON]" appears.

## SECTION 5 ELECTRICAL ADJUSTMENTS

### OSD ADJUSTMENT

#### Connection



#### Procedure:

1. Short the CNP3501 pin ④ on the VIDEO board to the GND.
2. Connect a frequency counter to the CNP3501 pin ② on the VIDEO board.
3. Press the button to turn on the main power.
4. Press the button to display "CUSTOMIZE".
5. Turn the jog clockwise to display "OSD COLOR [NTSC]". If "OSD COLOR [PAL]" is displayed, turn the jog counterclockwise.
6. Turn the jog clockwise to display "OSD H.POSI [X]".
7. Adjust the CT3502 so that the frequency counter reading is 3.57954 MHz.

#### Adjustment and Connection Location: – VIDEO Board (Component Side) –



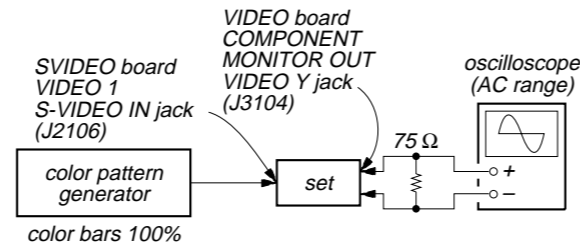
### UP CONVERT SIGNAL LEVEL ADJUSTMENT

#### Enter the test mode

1. While pressing the and buttons, press the button to turn on the main power.
2. It enters the test mode, and the message "F. HUE 7" appears.

#### 1. Y LEVEL ADJUSTMENT

##### Setting:



##### Procedure:

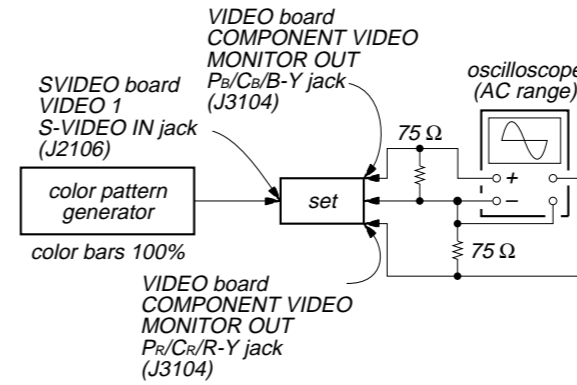
1. Connect a color pattern generator to the VIDEO 1 S-VIDEO IN jack (J2106) on the S-VIDEO board, and connect an oscilloscope to the COMPONENT VIDEO MONITOR OUT Y jack (J3104) on the VIDEO board. (75Ω terminated)
2. Enter the test mode, and the message "F. HUE 7" appears.
3. Turn the dial, and "F. CONTRAST 7" is displayed.
4. Input color bars signal from the color pattern generator.
5. Adjust the dial so that the Vp-p value of waveform becomes 1 Vp-p.

##### Y waveform:



### 2. COLOR LEVEL ADJUSTMENT

#### Setting:



##### Procedure:

1. Connect a color pattern generator to the VIDEO 1 S-VIDEO IN jack (J2106) on the S-VIDEO board, and connect an oscilloscope to the COMPONENT VIDEO P<sub>B</sub>/C<sub>B</sub>/B-Y jack and COMPONENT VIDEO P<sub>R</sub>/C<sub>R</sub>/R-Y jack (J3104) on the VIDEO board. (75Ω terminated)
2. Enter the test mode, and the message "F. HUE 7" appears.
3. Turn the dial, and "F. COLOR 7" is displayed.
4. Input color bars signal from the color pattern generator.
5. Display two waveforms of C<sub>B</sub> and C<sub>R</sub> simultaneously.
6. Adjust the dial so that the Vp-p value of waveforms of C<sub>B</sub> and C<sub>R</sub> both may be most set to 0.7V closely.

##### C<sub>B</sub> waveform:

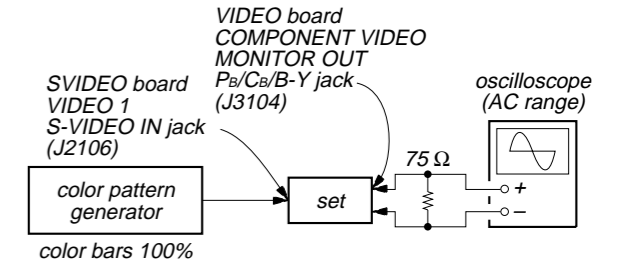


##### C<sub>R</sub> waveform:



### 3. HUE LEVEL ADJUSTMENT

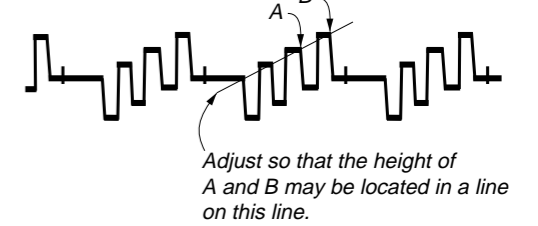
#### Setting:



##### Procedure:

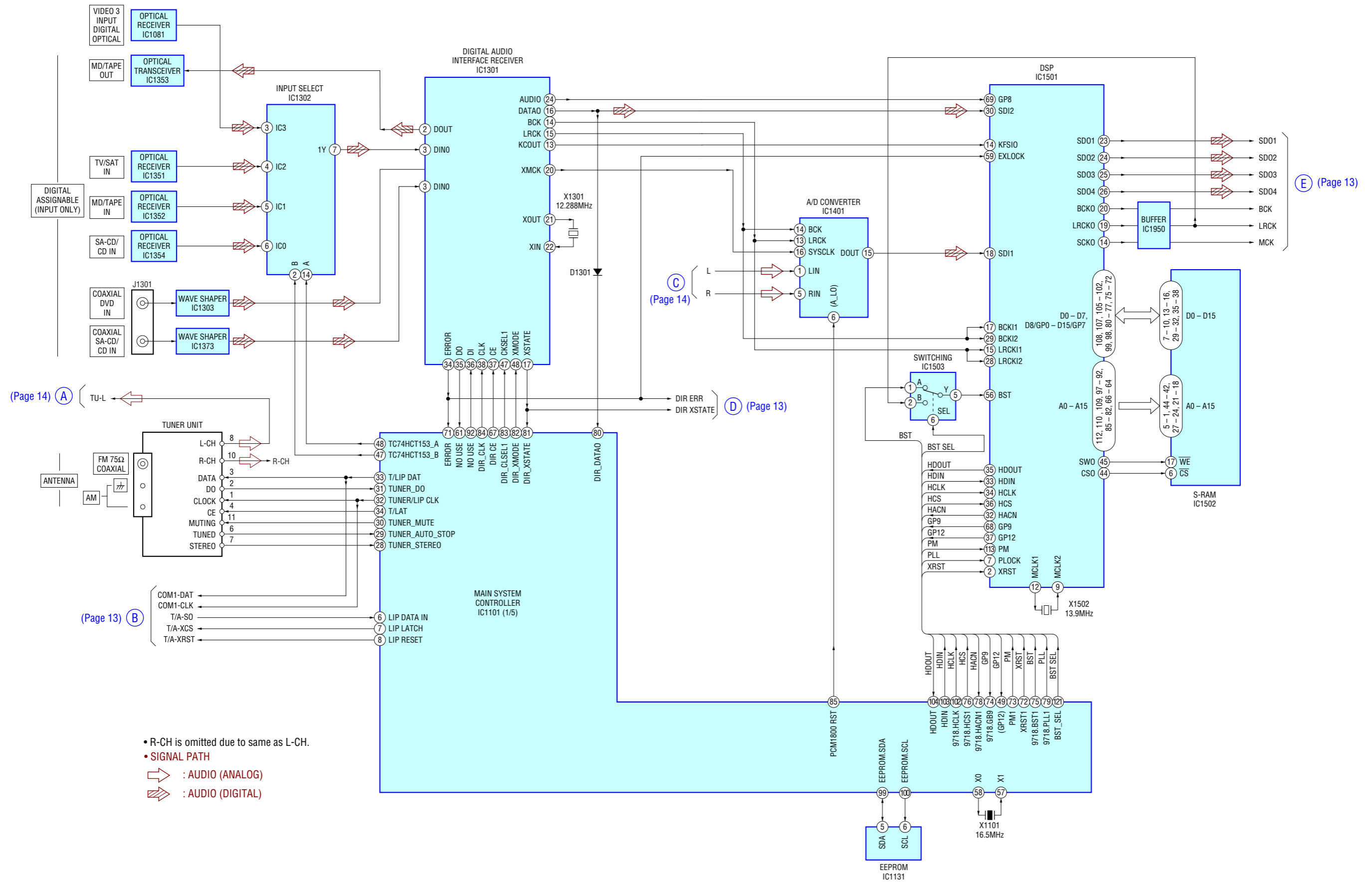
1. Connect a color pattern generator to the VIDEO 1 S-VIDEO IN jack (J2106) on the S-VIDEO board, and connect an oscilloscope to the COMPONENT VIDEO P<sub>B</sub>/C<sub>B</sub>/B-Y jack (J3104) on the VIDEO board. (75Ω terminated)
2. Enter the test mode, and the message "F. HUE 7" appears.
3. Input color bars signal from the color pattern generator.
4. Adjust the dial so that the waveform as bellow.

##### C<sub>B</sub> waveform:

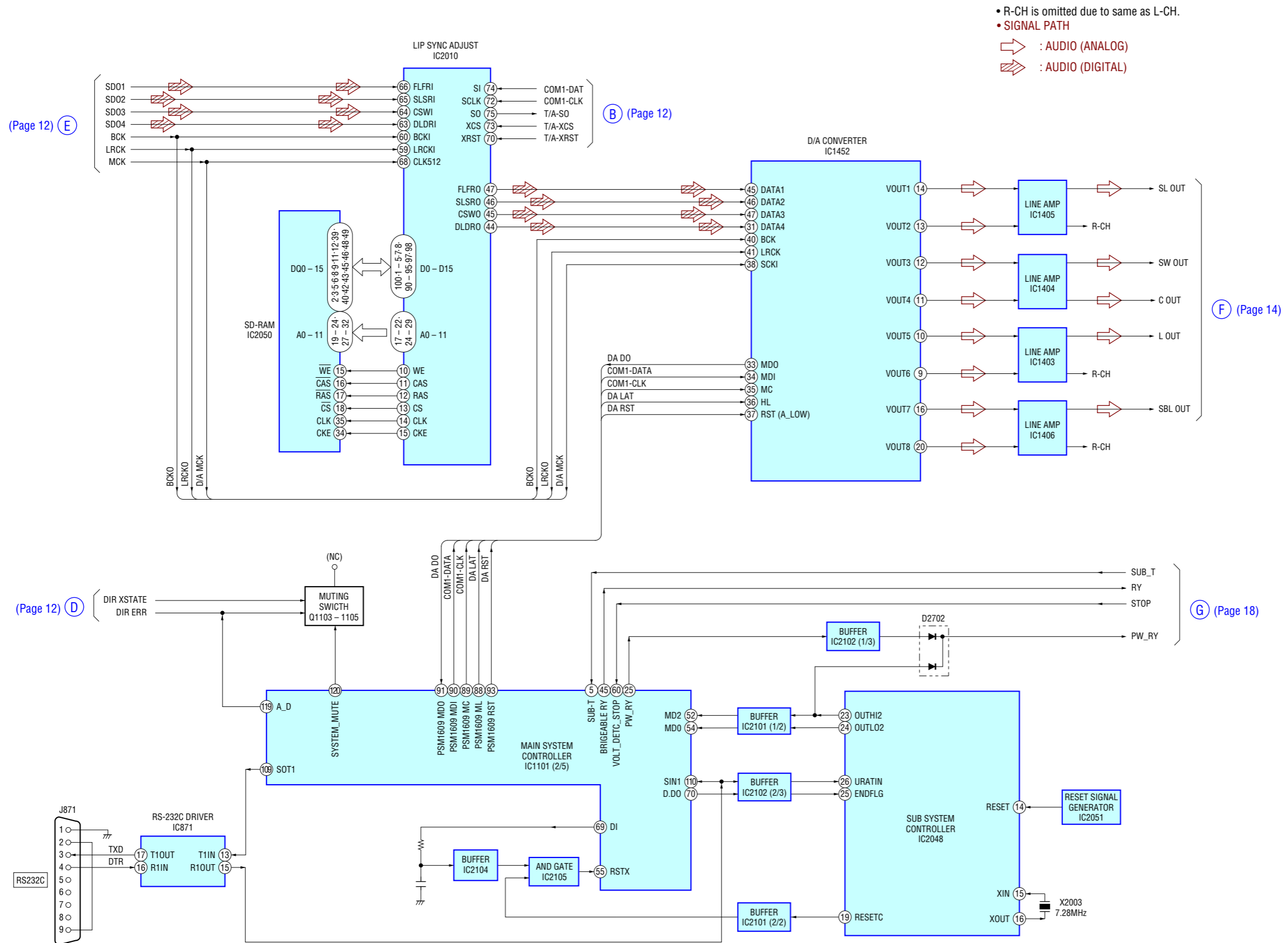


SECTION 6  
DIAGRAMS

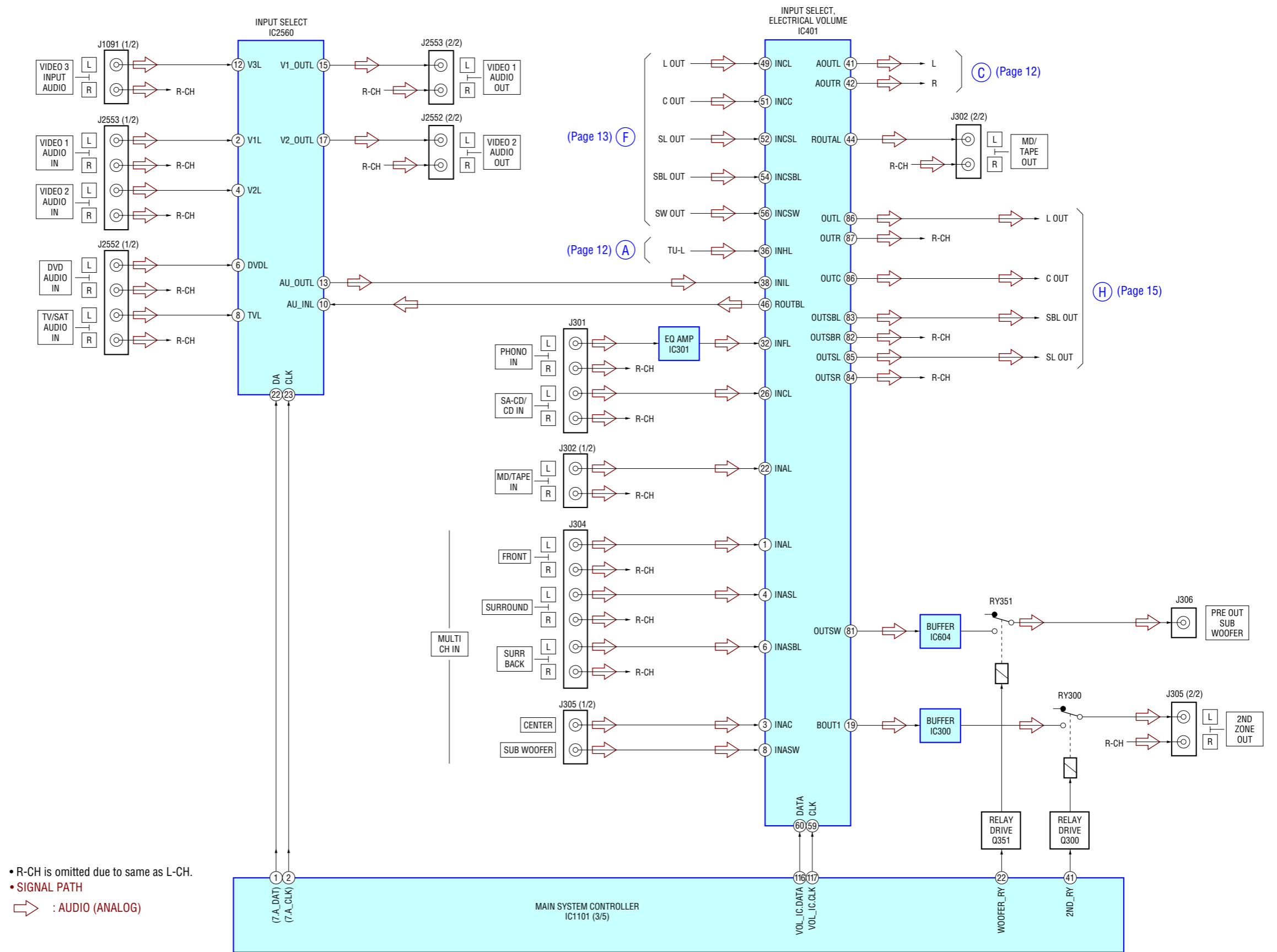
6-1. BLOCK DIAGRAM – DIGITAL AUDIO Section (1/2) –



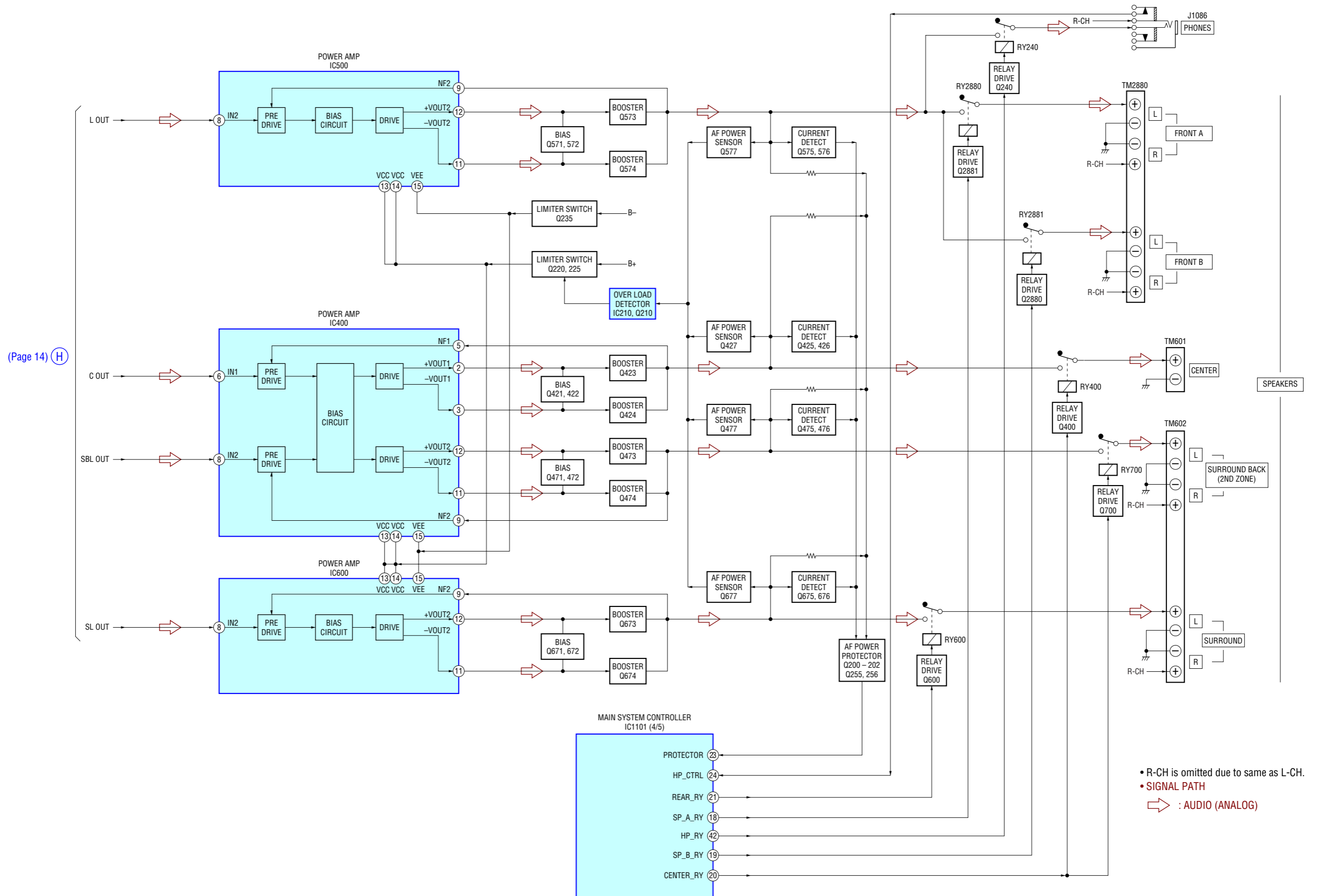
6-2. BLOCK DIAGRAM – DIGITAL AUDIO Section (2/2) –



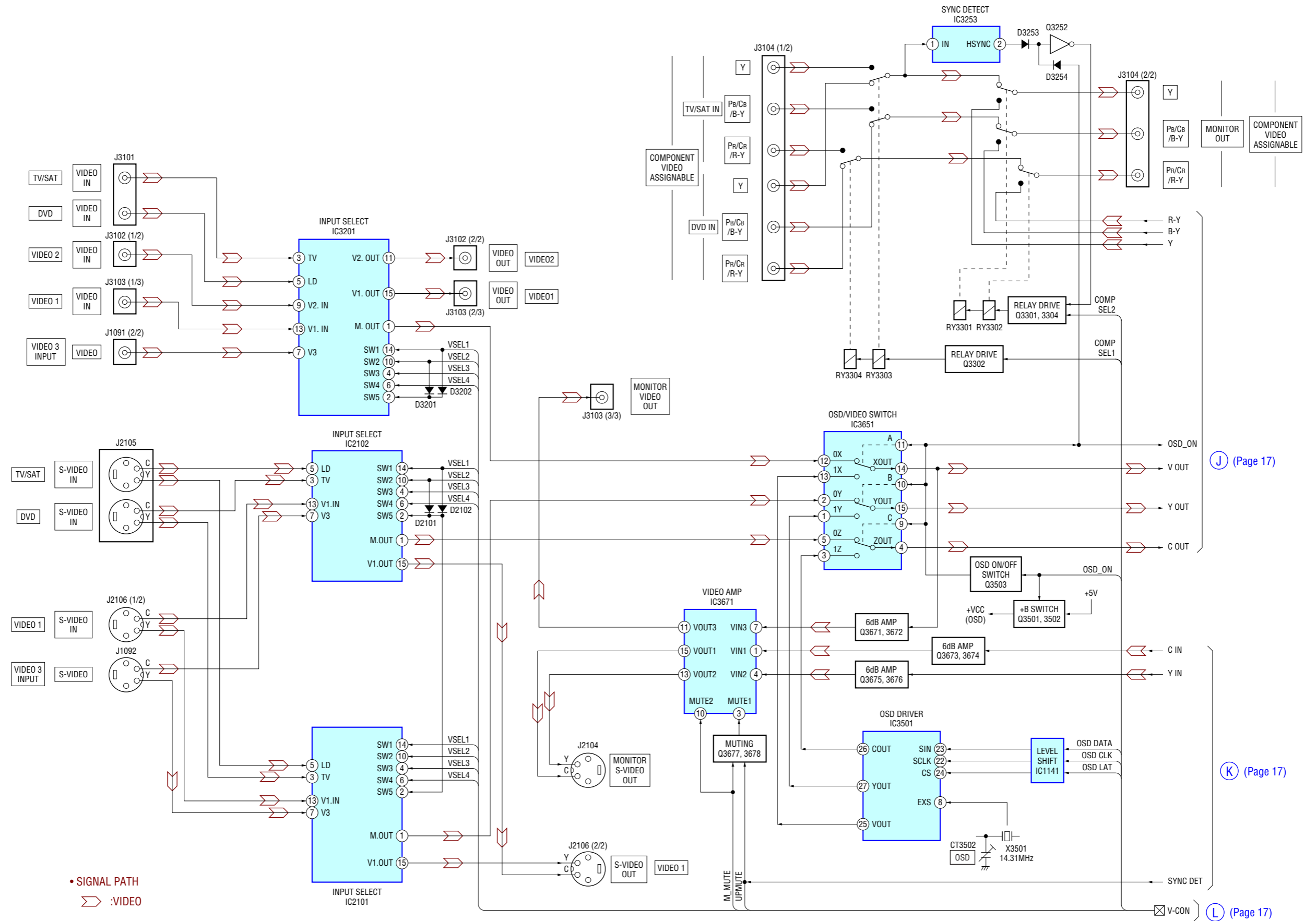
6-3. BLOCK DIAGRAM – ANALOG AUDIO Section –



6-4. BLOCK DIAGRAM – POWER AMP Section –

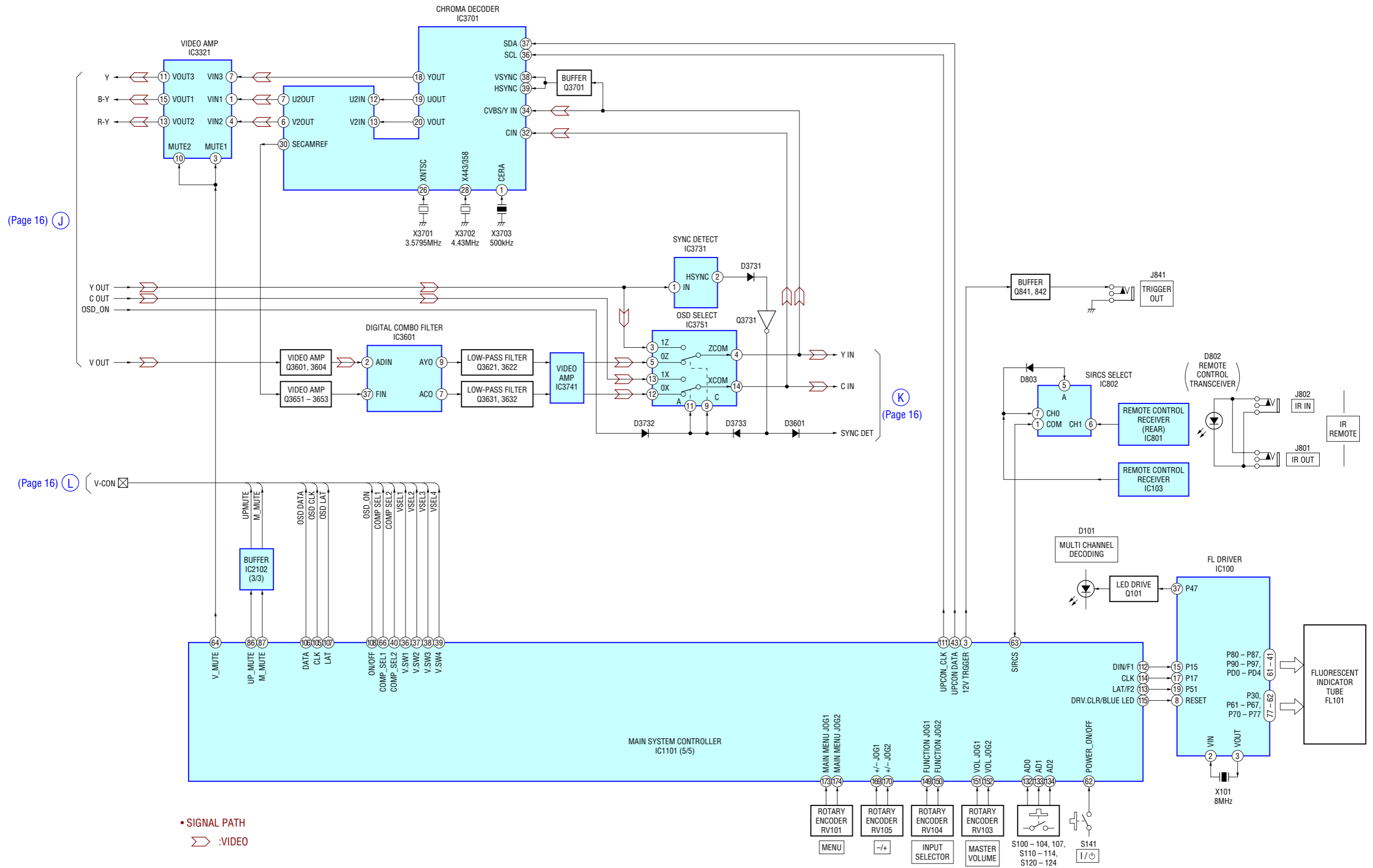


6-5. BLOCK DIAGRAM – VIDEO INPUT Section –

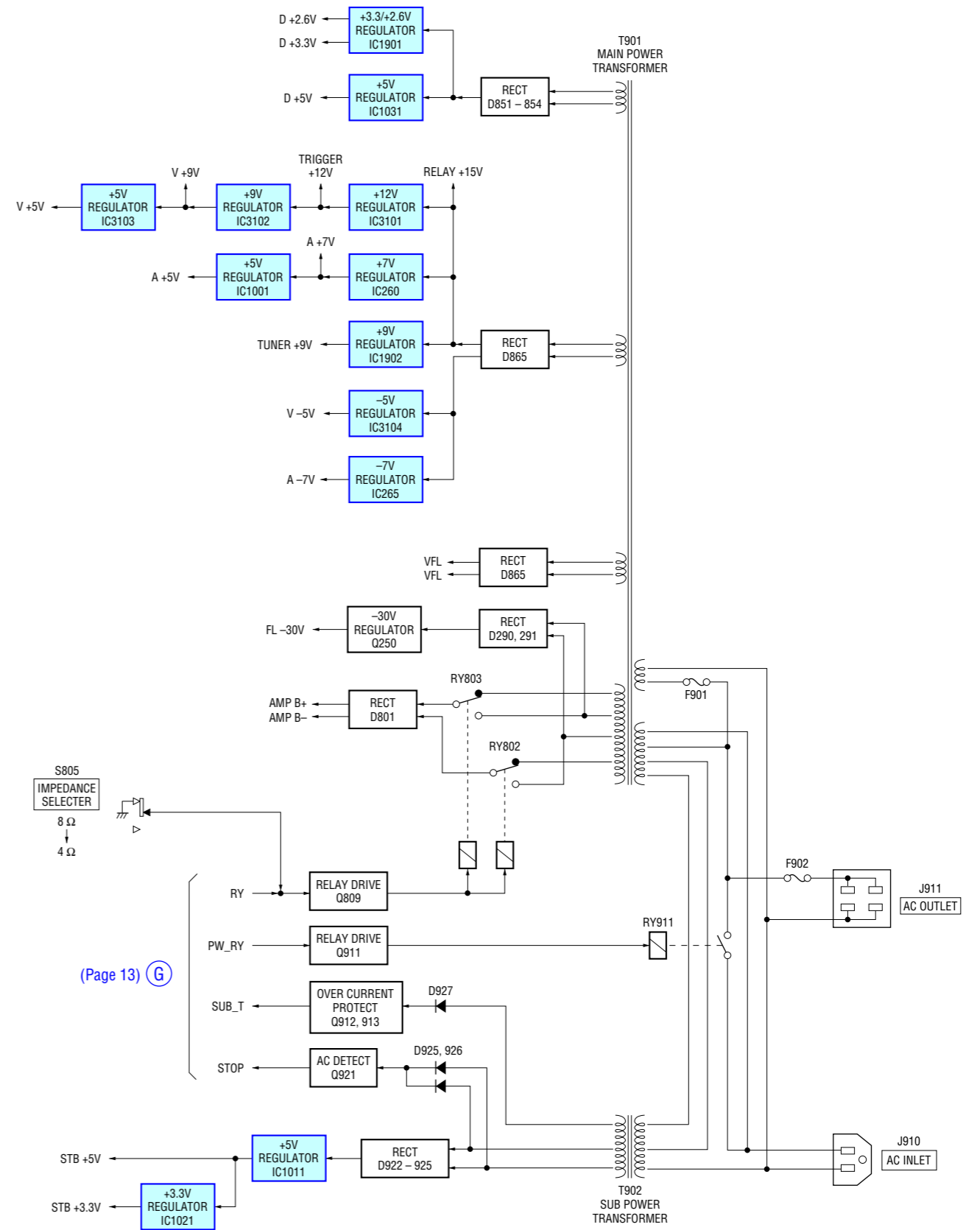




6-6. BLOCK DIAGRAM – CIS, DISPLAY Section –

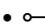
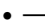





6-7. BLOCK DIAGRAM – POWER SUPPLY Section –



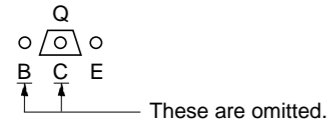
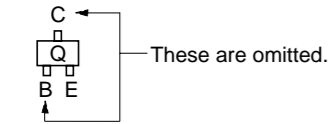
• Note for Printed Wiring Boards and Schematic Diagrams

Note on Printed Wiring Board:


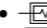
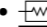
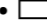
-  : parts extracted from the component side.
  -  : parts extracted from the conductor side.
  -  : Through hole.
  -  : internal component.
  -  : Pattern from the side which enables seeing.
- (The other layers' patterns are not indicated.)

Caution:  
 Pattern face side: Parts on the pattern face side seen from (Conductor Side) the pattern face are indicated.  
 Parts face side: Parts on the parts face side seen from (Component Side) the parts face are indicated.







• Indication of transistor



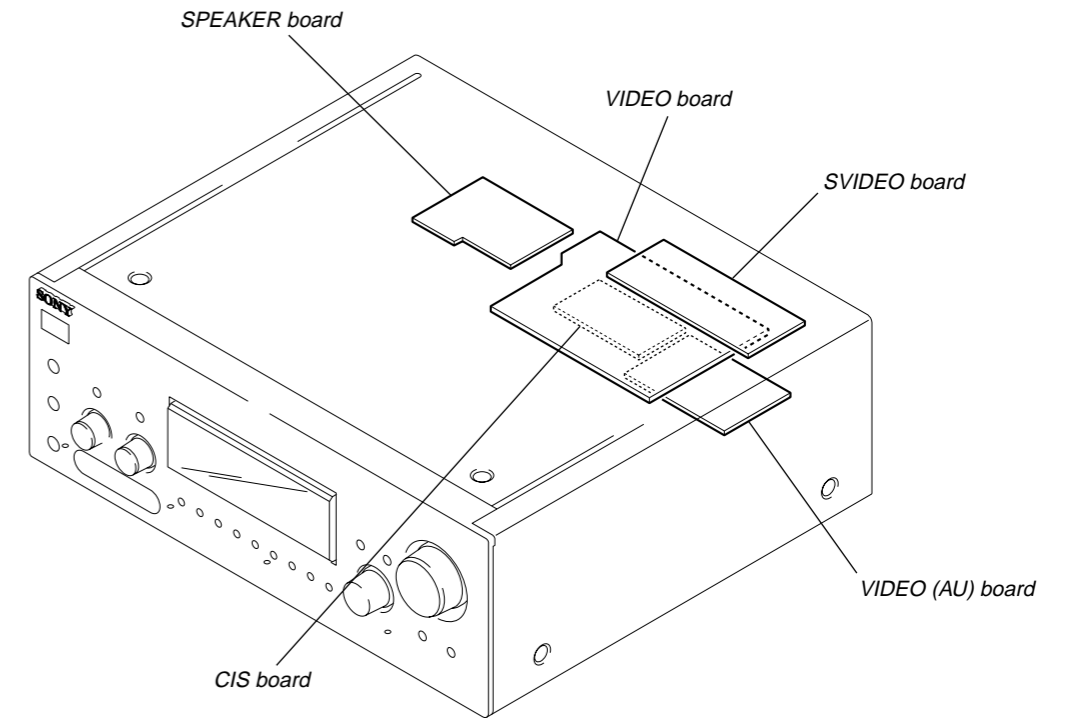
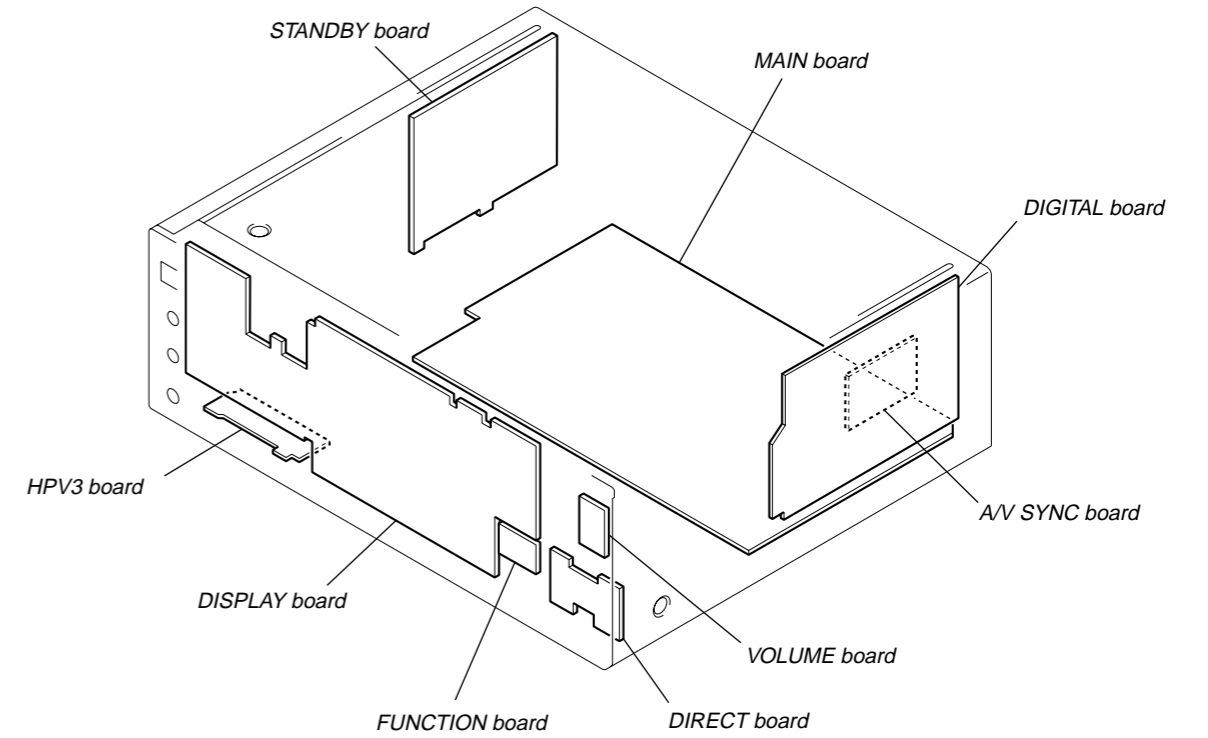
Note on Schematic Diagram:

- All capacitors are in  $\mu\text{F}$  unless otherwise noted. (p: pF) 50 WV or less are not indicated except for electrolytics and tantalums.
- All resistors are in  $\Omega$  and  $1/4\text{W}$  or less unless otherwise specified.
-  : internal component.
-  : nonflammable resistor.
-  : fusible resistor.
-  : panel designation.

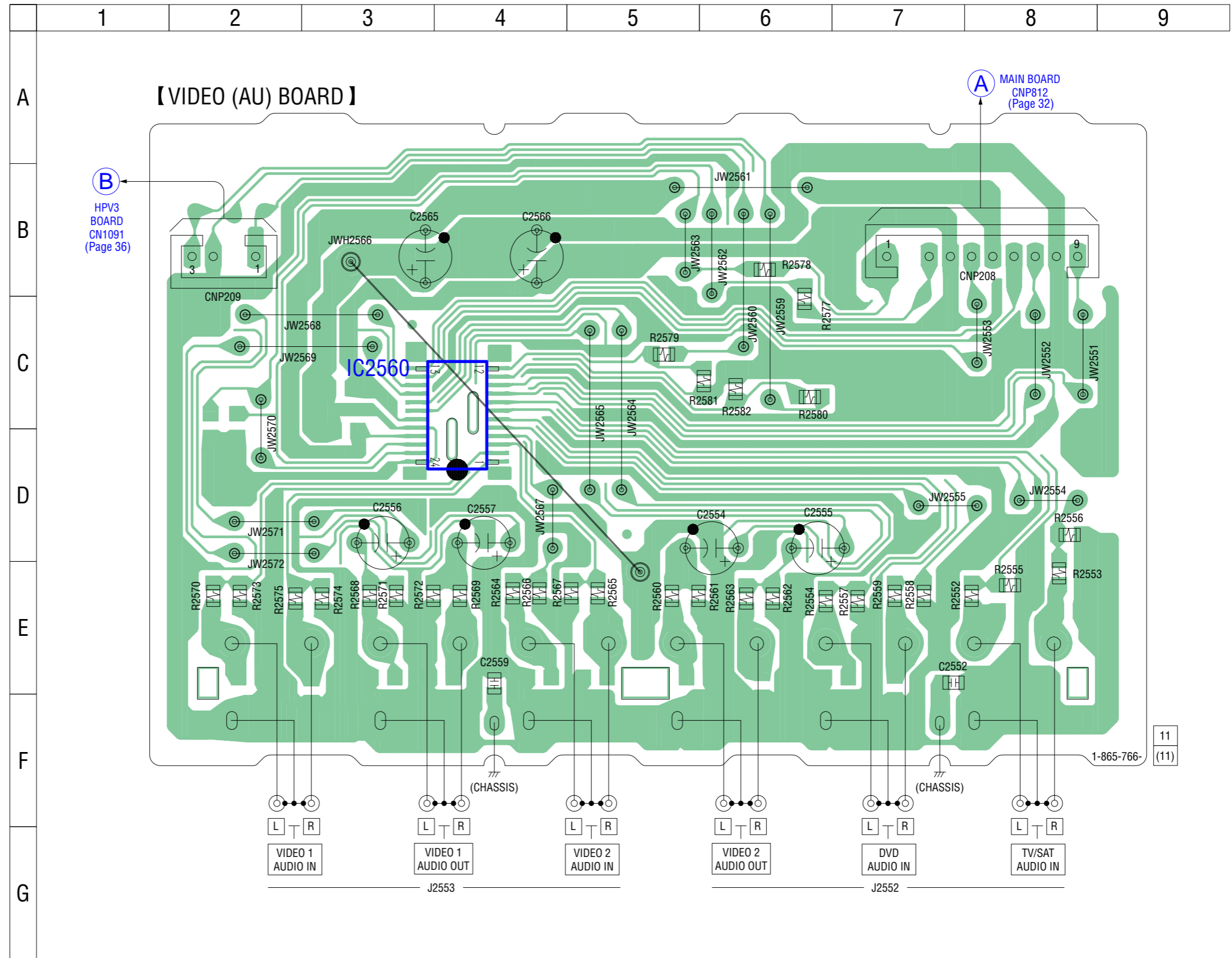
<b>Note:</b> The components identified by mark $\Delta$ or dotted line with mark $\Delta$ are critical for safety. Replace only with part number specified.	<b>Note:</b> Les composants identifiés par une marque $\Delta$ sont critiques pour la sécurité. Ne les remplacer que par une pièce portant le numéro spécifié.
--	---

-  : B+ Line.
-  : B- Line.
-  : adjustment for repair.
- Voltages and waveforms are dc with respect to ground under no-signal (detuned) conditions.
  - VIDEO, SVIDEO boards -
  - no mark : VIDEO 1 mode
  - Other boards -
  - no mark : TUNER
- Voltages are taken with a VOM (Input impedance  $10\text{M}\Omega$ ). Voltage variations may be noted due to normal production tolerances.
- Waveforms are taken with a oscilloscope. Voltage variations may be noted due to normal production tolerances.
- Circled numbers refer to waveforms.
- Signal path.
  -  : AUDIO (ANALOG)
  -  : AUDIO (DIGITAL)
  -  : VIDEO

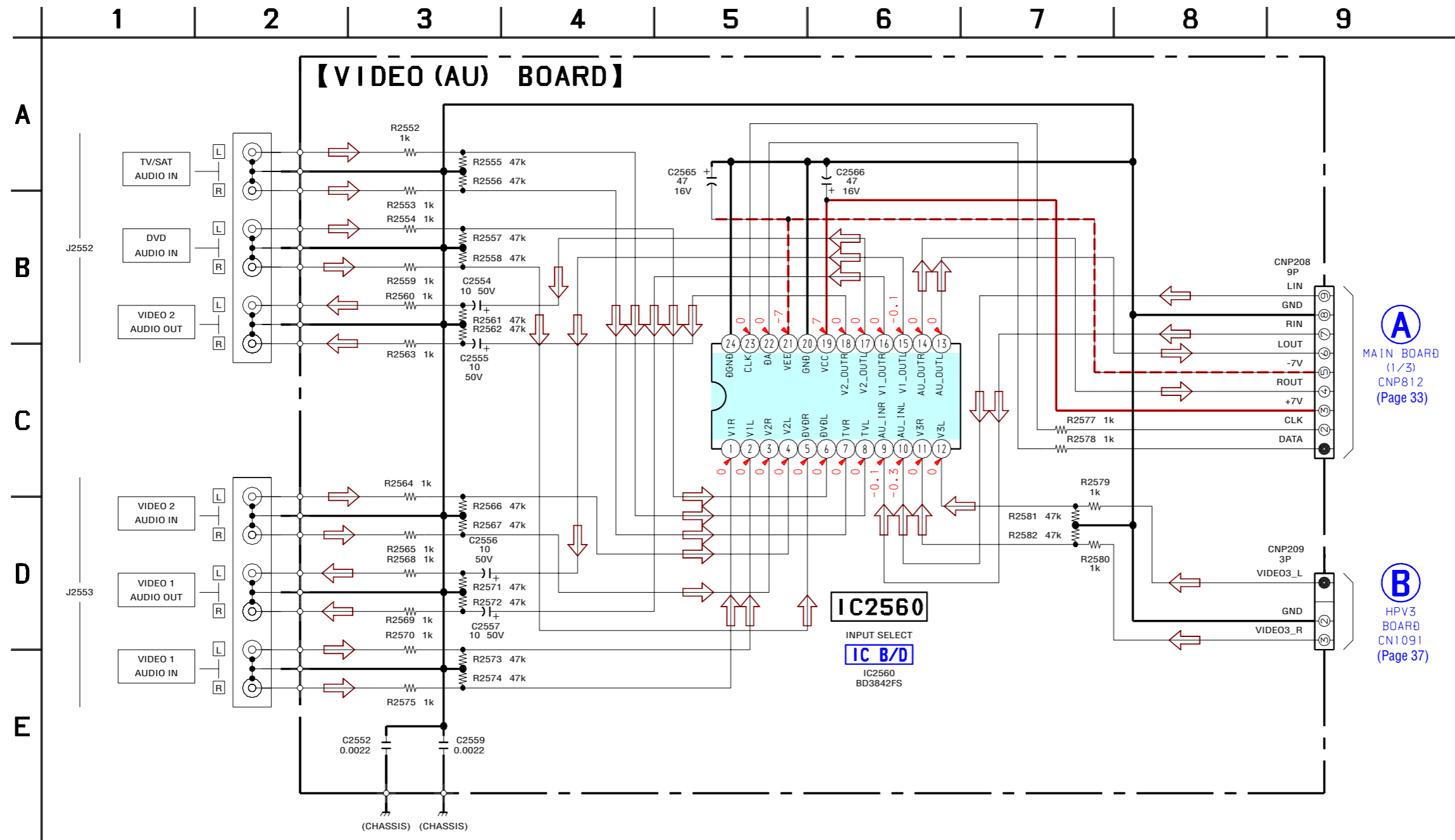
• Circuit Boards Location



6-8. PRINTED WIRING BOARD – VIDEO (AU) Board – • See page 19 for Circuit Boards Location.  : Uses unleaded solder.



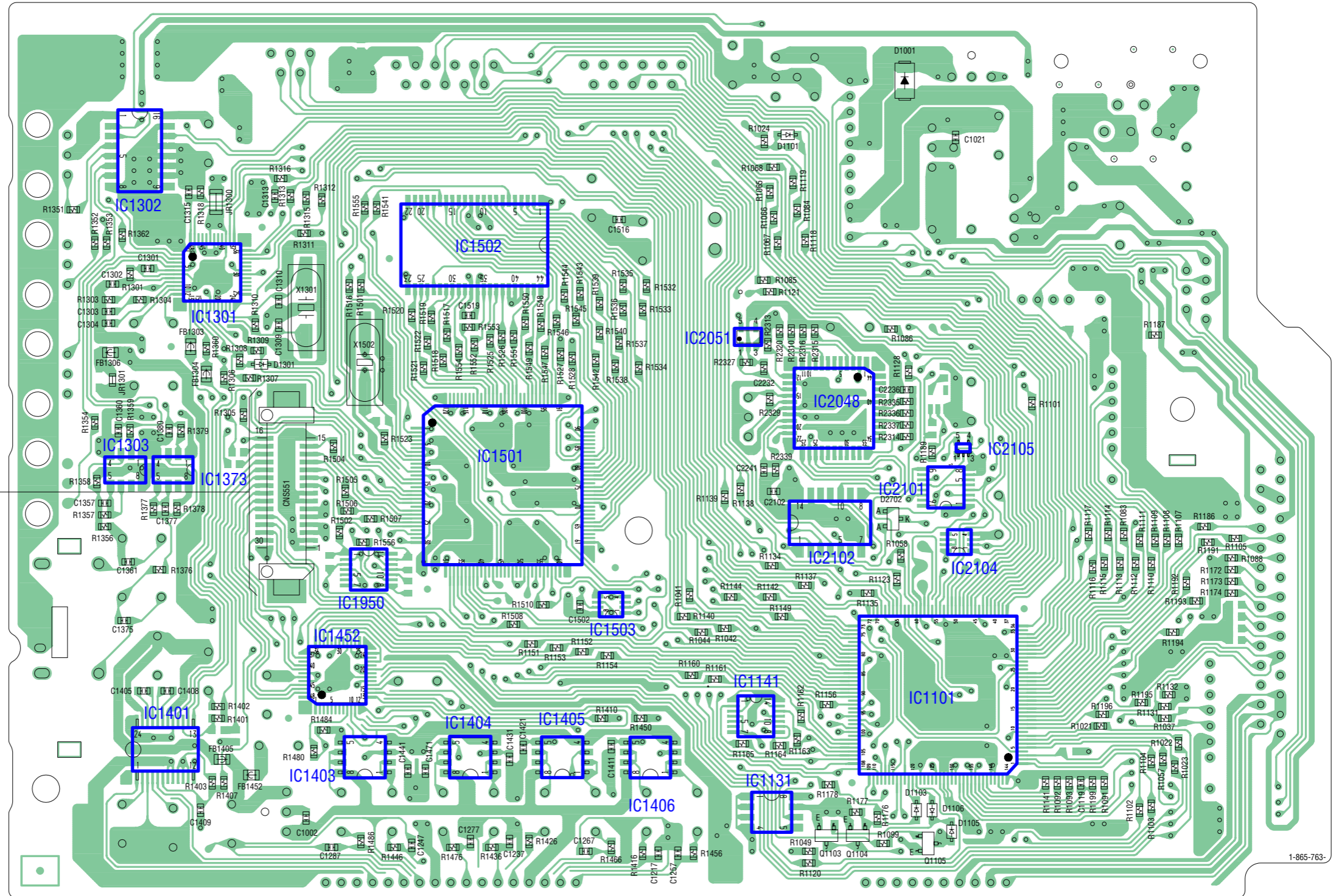
6-9. SCHEMATIC DIAGRAM – VIDEO (AU) Board – • See page 50 for IC Block Diagrams.




• Semiconductor Location

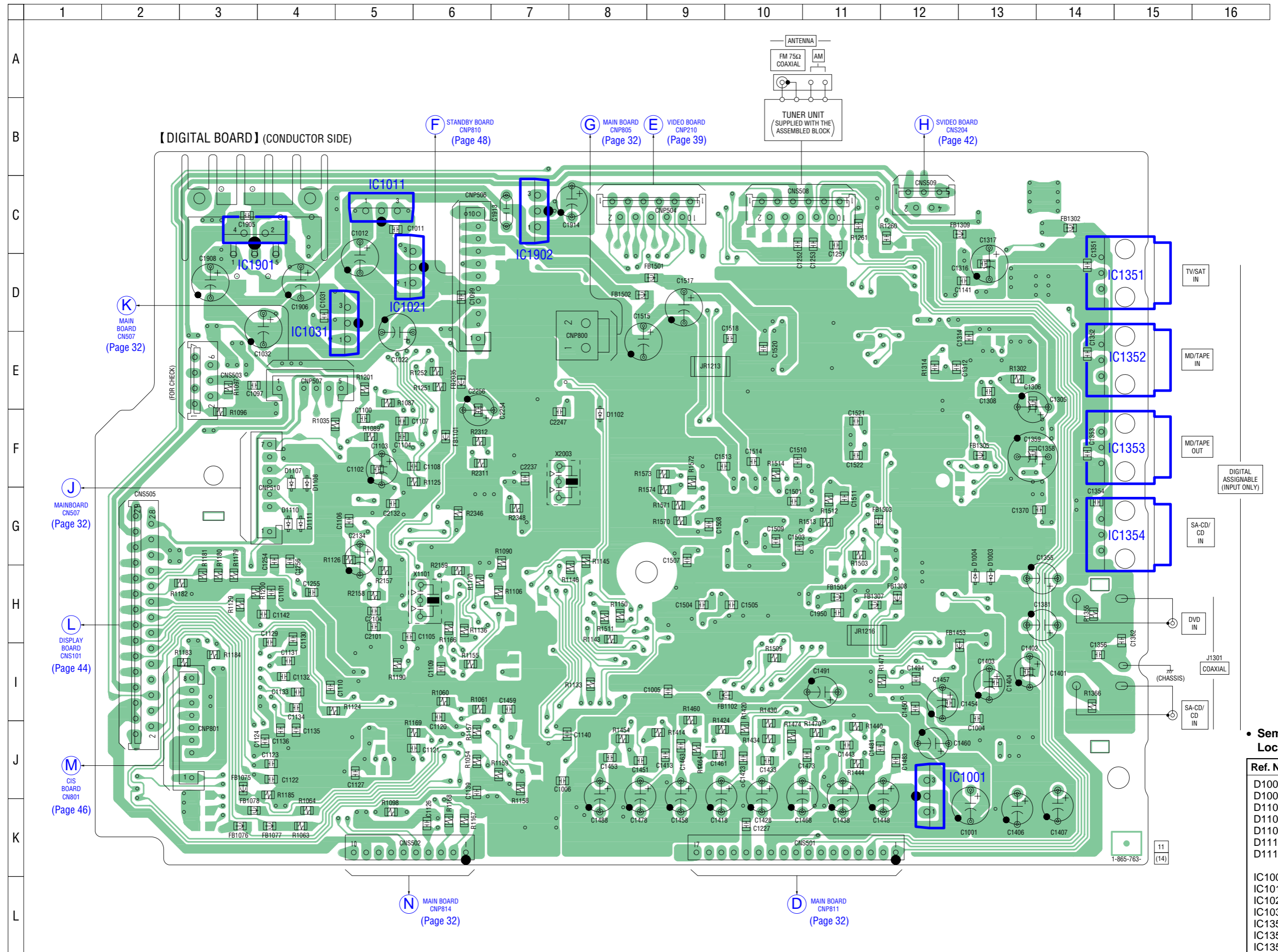
Ref. No.	Location
D1001	C-11
D1101	D-10
D1103	J-11
D1105	K-12
D1106	J-12
D1301	F-5
D2702	G-11
IC1101	I-12
IC1131	J-10
IC1141	I-10
IC1301	E-4
IC1302	D-4
IC1303	G-3
IC1373	G-4
IC1401	J-4
IC1403	J-6
IC1404	J-7
IC1405	J-8
IC1406	J-9
IC1452	I-6
IC1501	G-7
IC1502	E-7
IC1503	H-8
IC1950	H-6
IC2048	F-11
IC2051	F-10
IC2101	G-12
IC2102	H-11
IC2104	H-12
IC2105	G-12
Q1103	K-11
Q1104	K-11
Q1105	K-12

【DIGITAL BOARD】(COMPONENT SIDE)



AV SYNC BOARD CN2001 (Page 30)

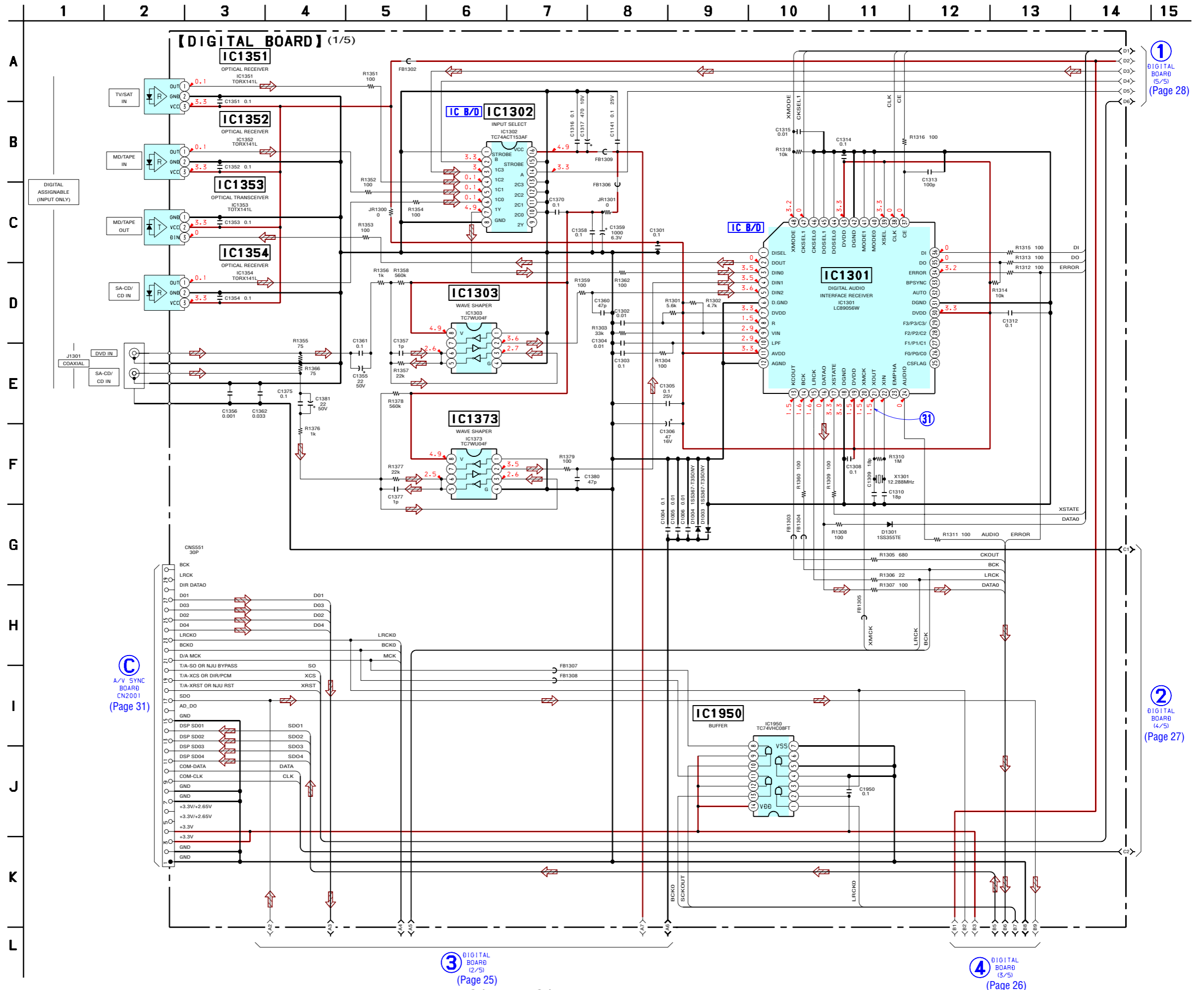
6-11. PRINTED WIRING BOARD – DIGITAL Board (Conductor Side) – • See page 19 for Circuit Boards Location.  : Uses unleaded solder.



• Semiconductor Location

Ref. No.	Location
D1003	H-13
D1004	H-13
D1102	F-8
D1107	F-4
D1108	F-4
D1110	G-4
D1111	G-4
IC1001	J-12
IC1011	C-5
IC1021	D-5
IC1031	D-5
IC1351	D-15
IC1352	E-15
IC1353	F-15
IC1354	G-15
IC1901	C-3
IC1902	C-7

6-12. SCHEMATIC DIAGRAM – DIGITAL Board (1/5) – • See page 29 for Waveforms. • See page 50 for IC Block Diagrams.



1  
DIGITAL BOARD (5/5)  
(Page 28)

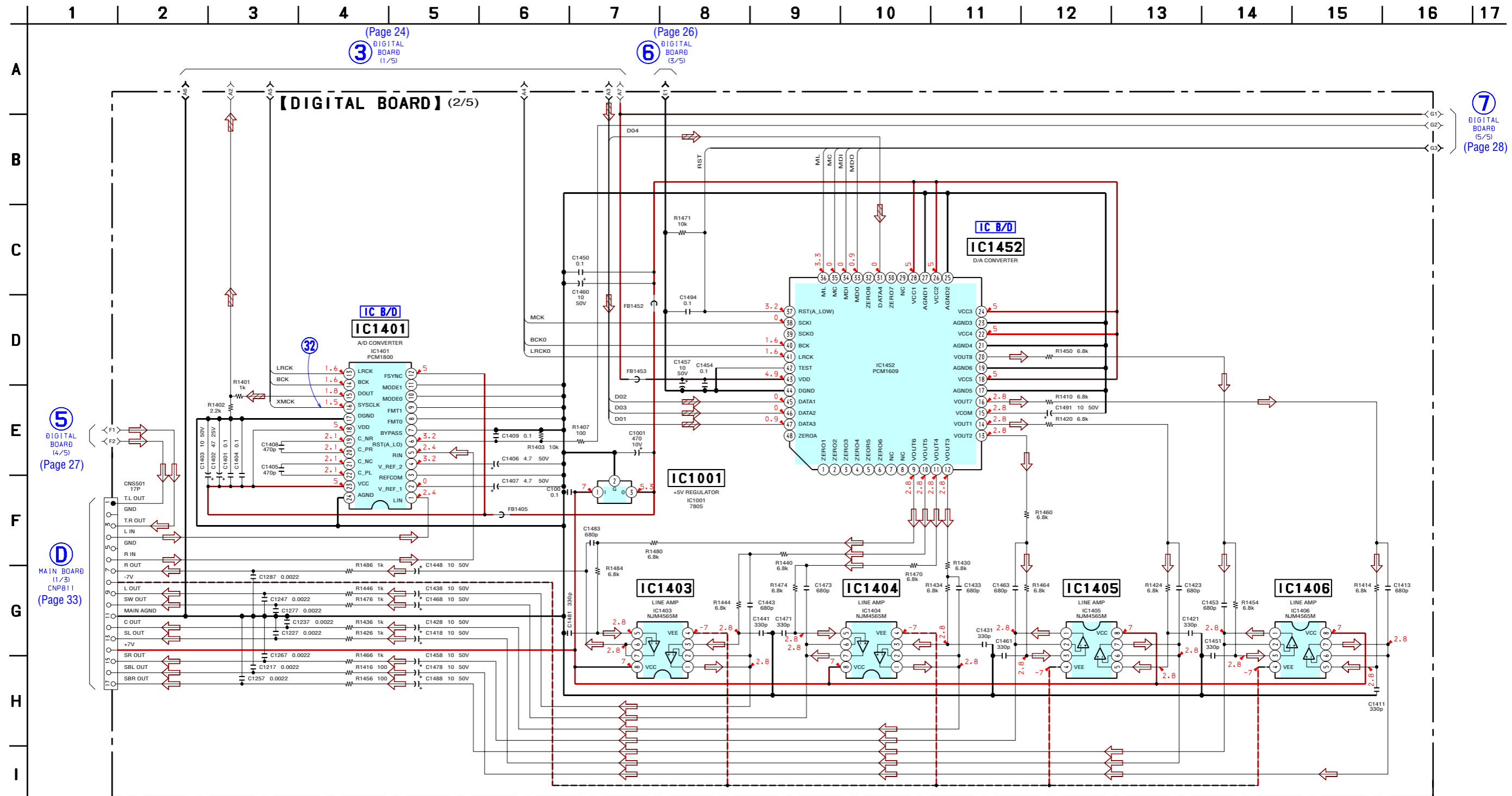
2  
DIGITAL BOARD (4/5)  
(Page 27)

3  
DIGITAL BOARD (2/5)  
(Page 25)

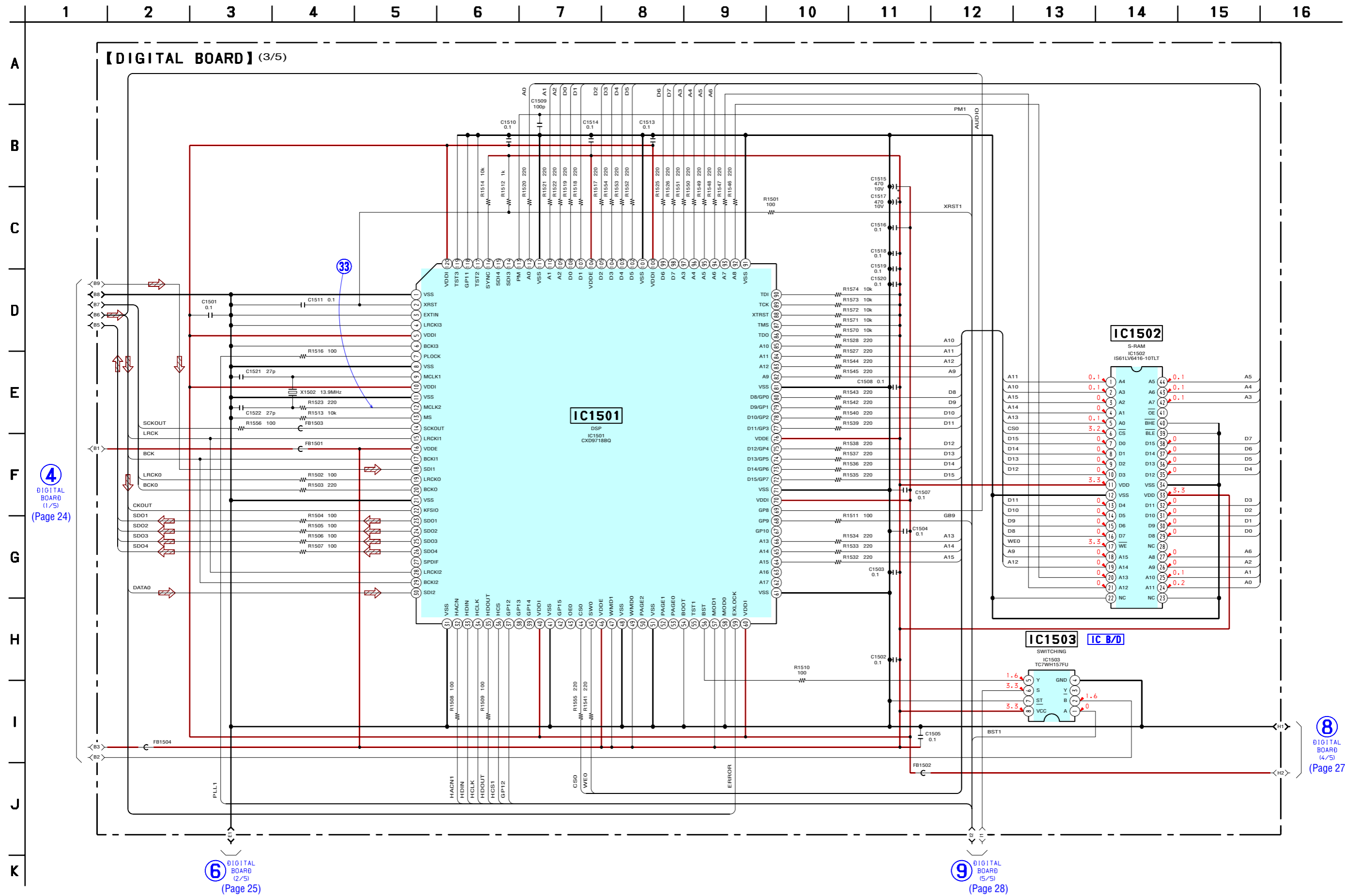
4  
DIGITAL BOARD (3/5)  
(Page 26)



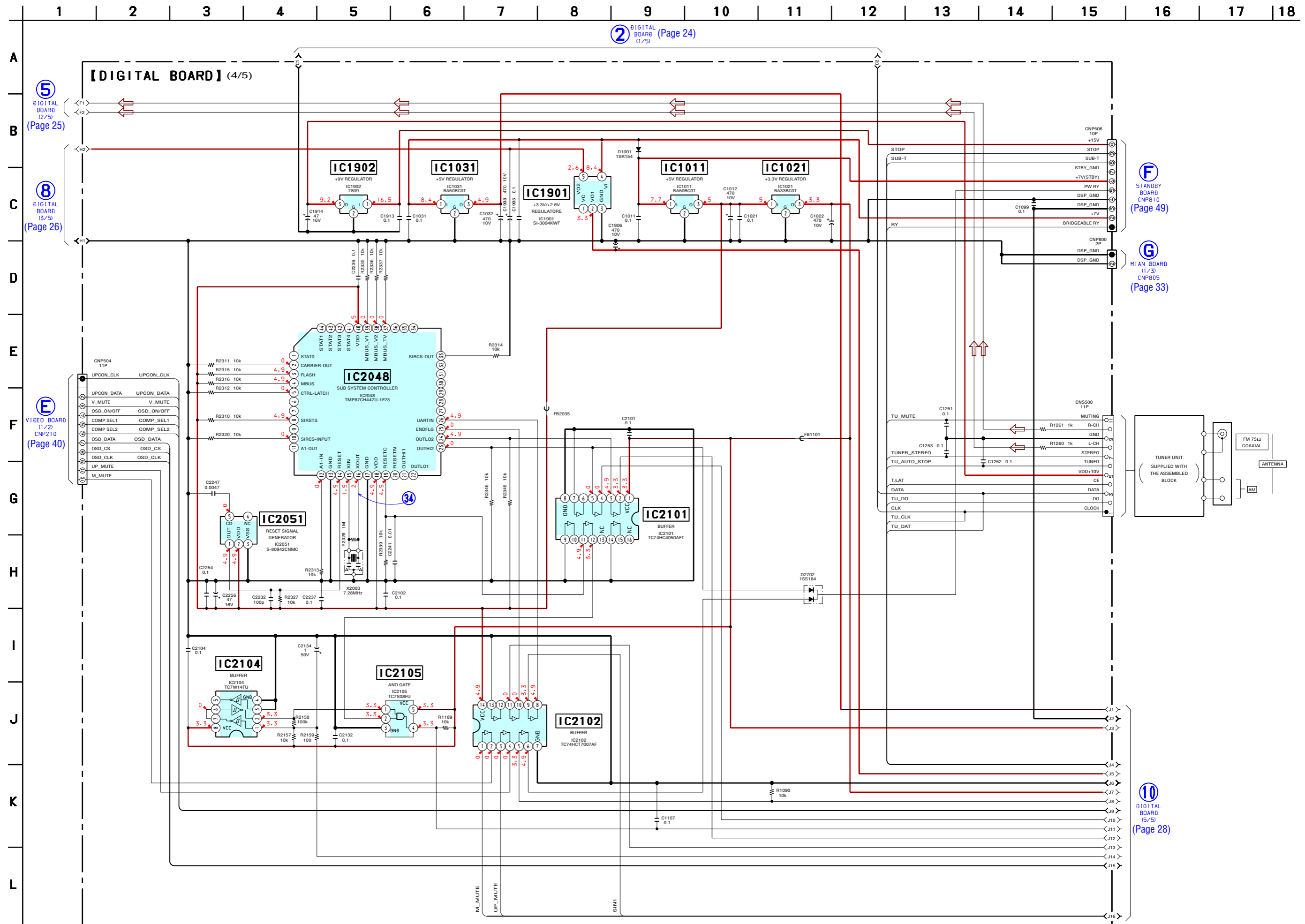
6-13. SCHEMATIC DIAGRAM – DIGITAL Board (2/5) – • See page 29 for Waveforms. • See page 50 for IC Block Diagrams.



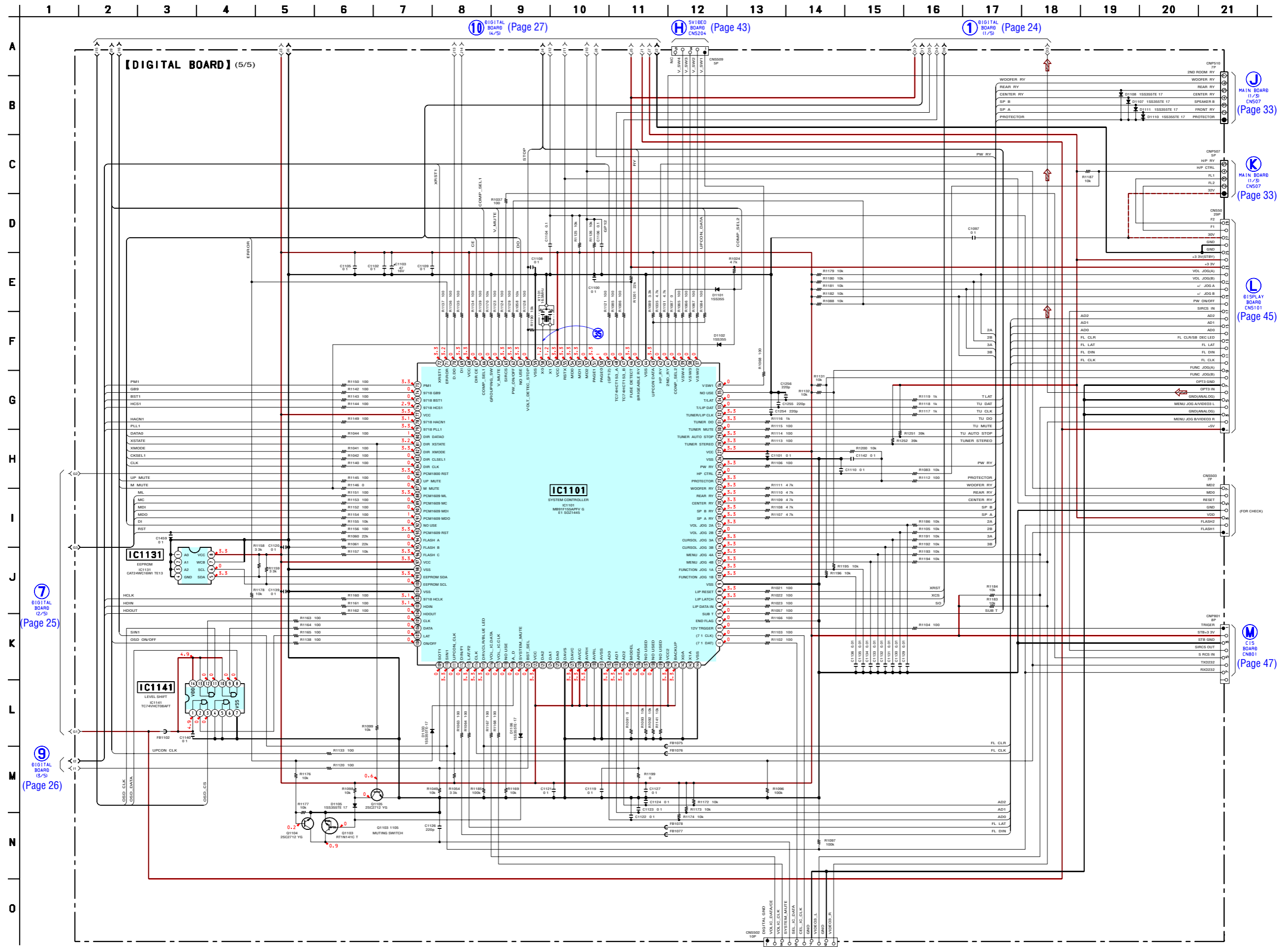
6-14. SCHEMATIC DIAGRAM – DIGITAL Board (3/5) – • See page 29 for Waveforms. • See page 58 for IC Pin Function Description.



6-15. SCHEMATIC DIAGRAM – DIGITAL Board (4/5) – • See page 29 for Waveforms. • See page 58 for IC Pin Function Description.

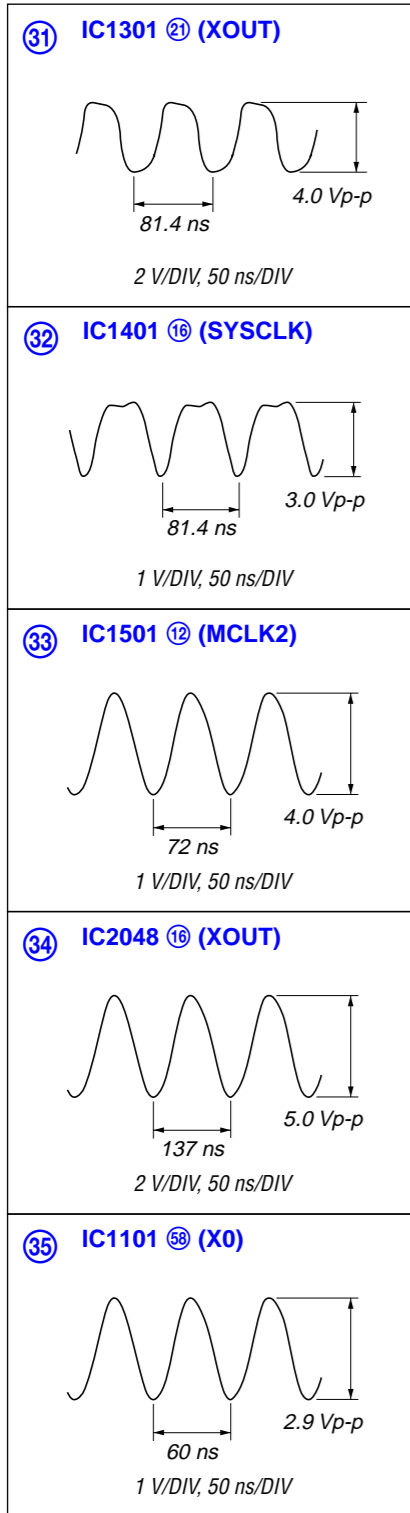


6-16. SCHEMATIC DIAGRAM – DIGITAL Board (5/5) – • See page 29 for Waveforms. • See page 58 for IC Pin Function Description.

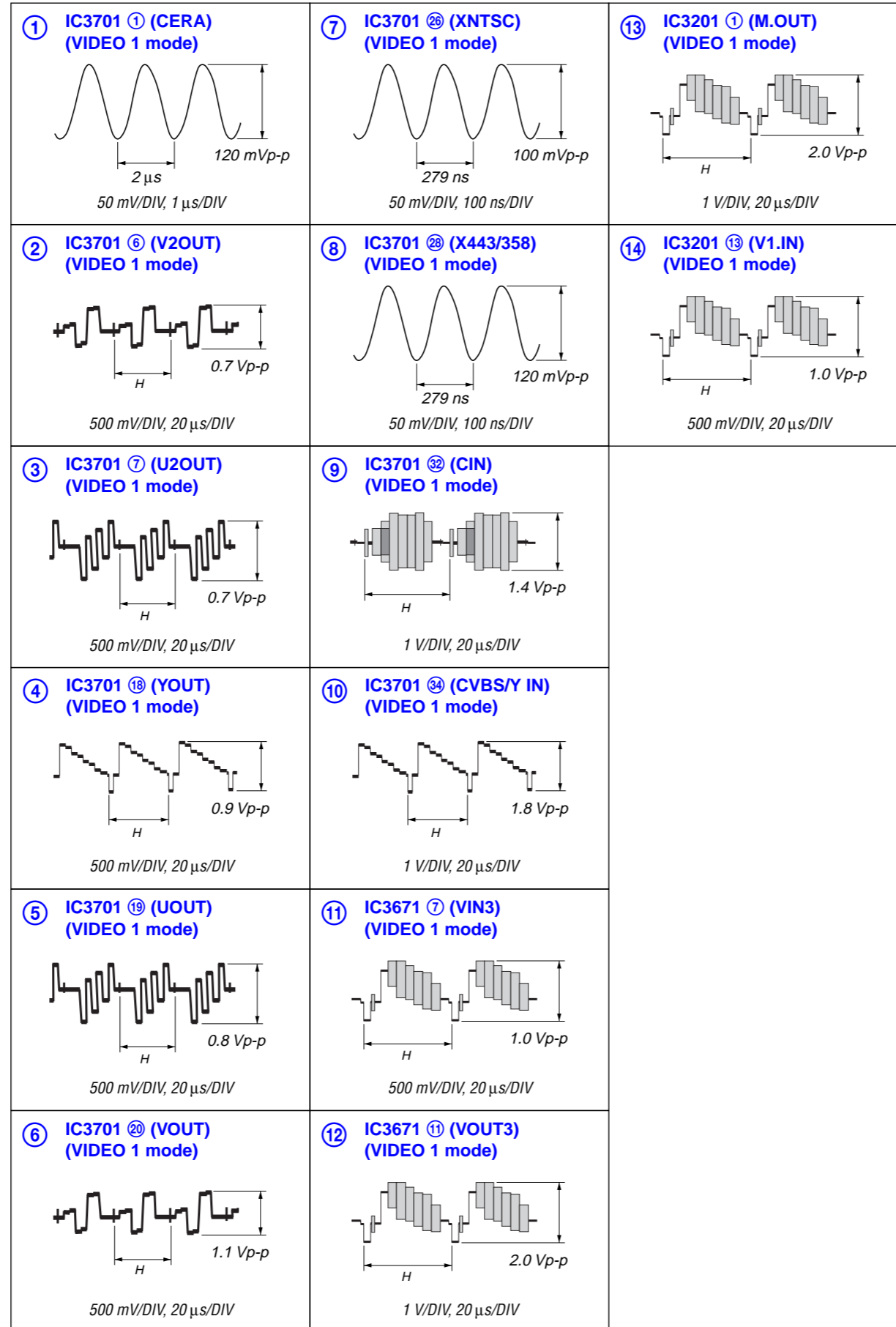


• Waveforms

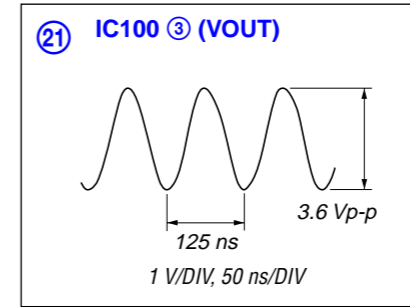
– DIGITAL Board –



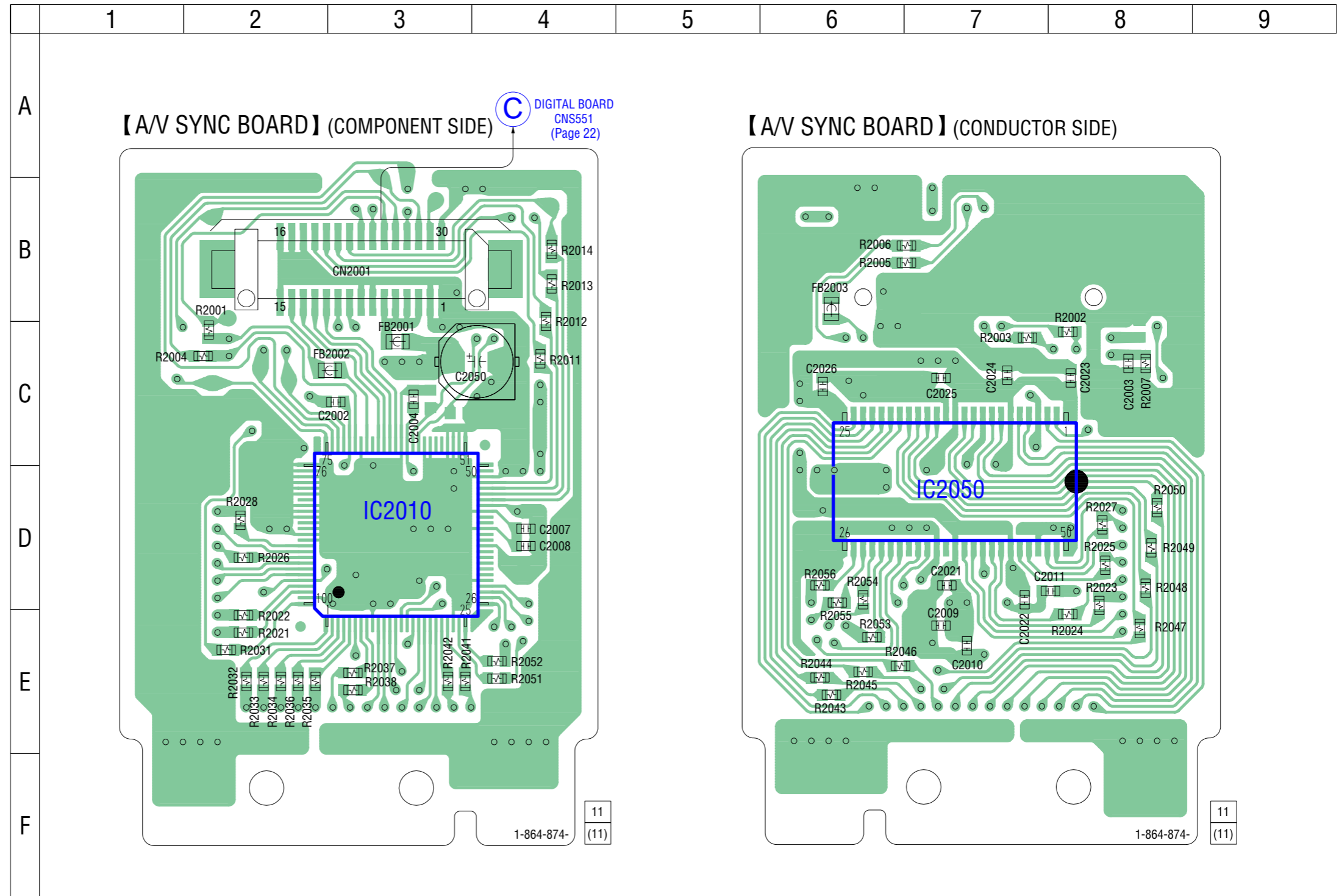
– VIDEO Board –



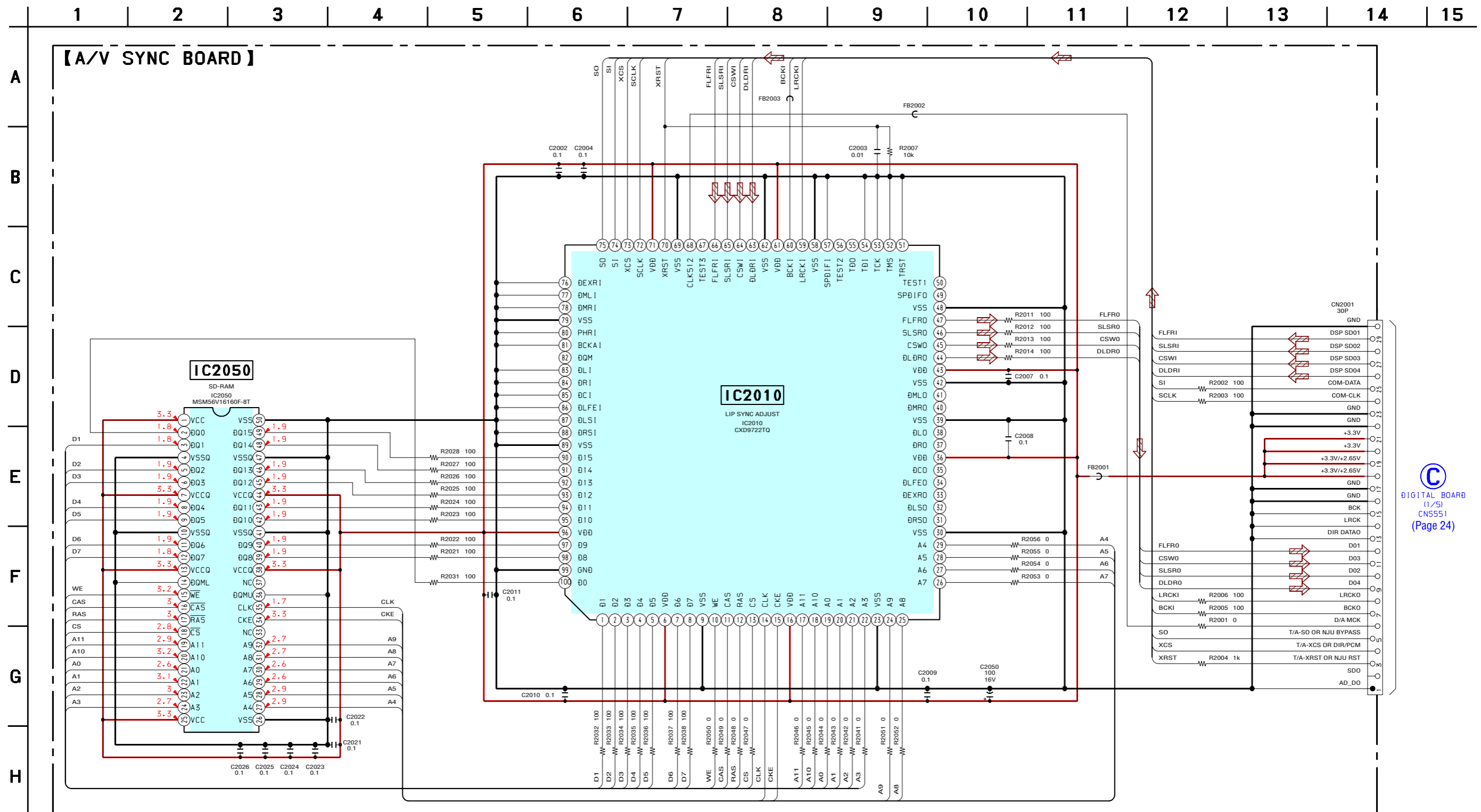
– DISPLAY Board –



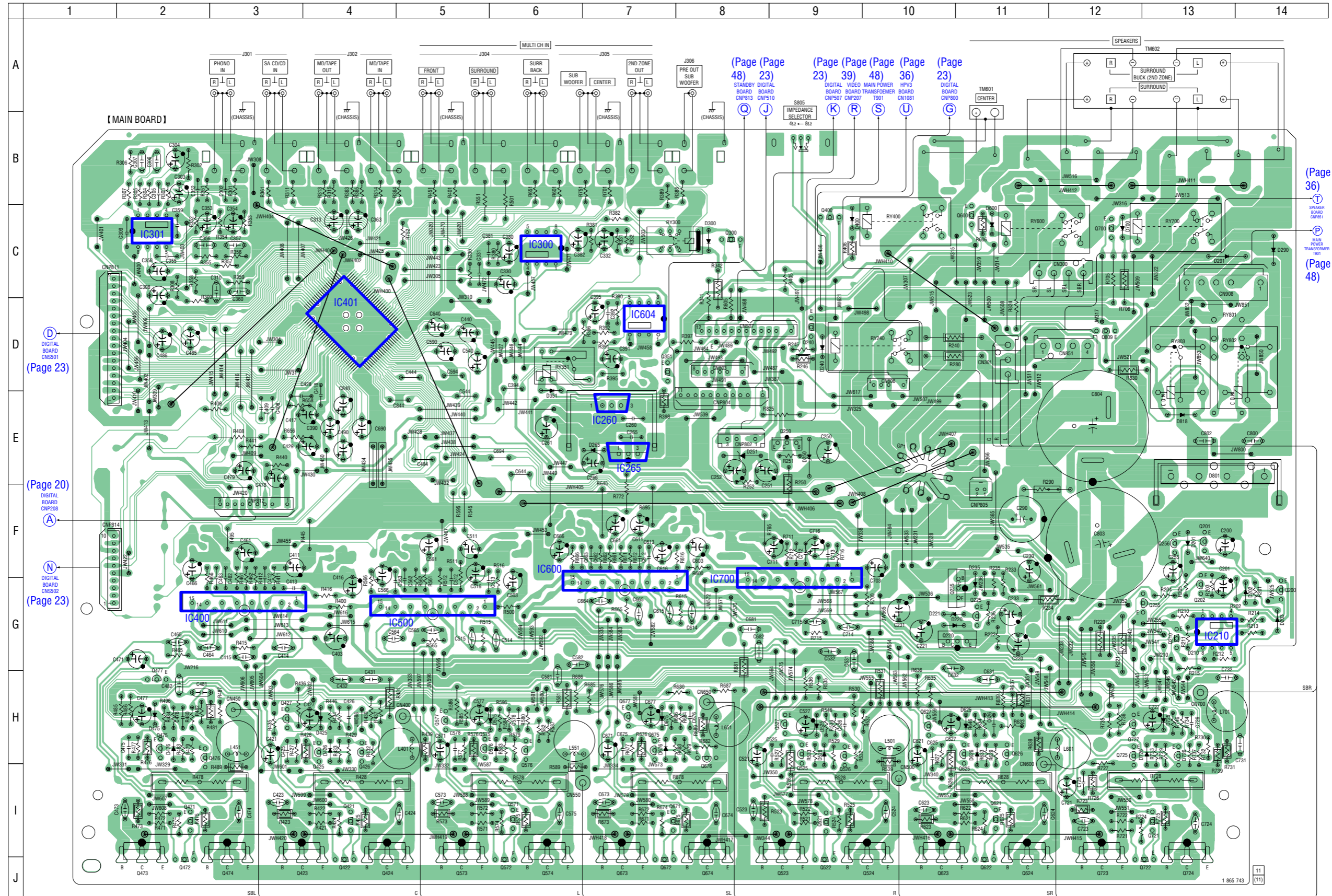
6-17. PRINTED WIRING BOARD – A/V SYNC Board – • See page 19 for Circuit Boards Location.  : Uses unleaded solder.



6-18. SCHEMATIC DIAGRAM – A/V SYNC Board – • See page 58 for IC Pin Function Description.



DIGITAL BOARD (1/5) CNS551 (Page 24)

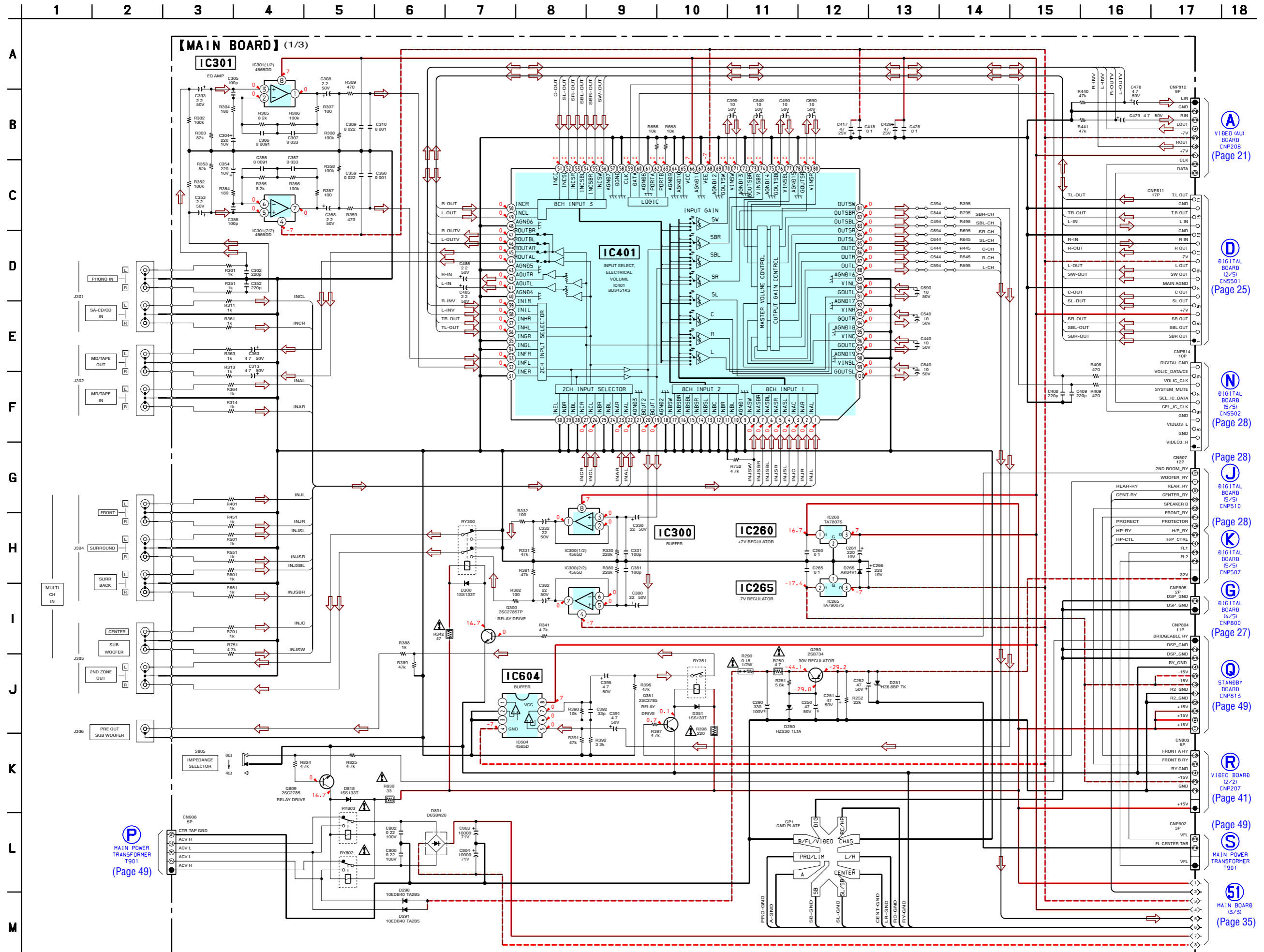


• Semiconductor Location

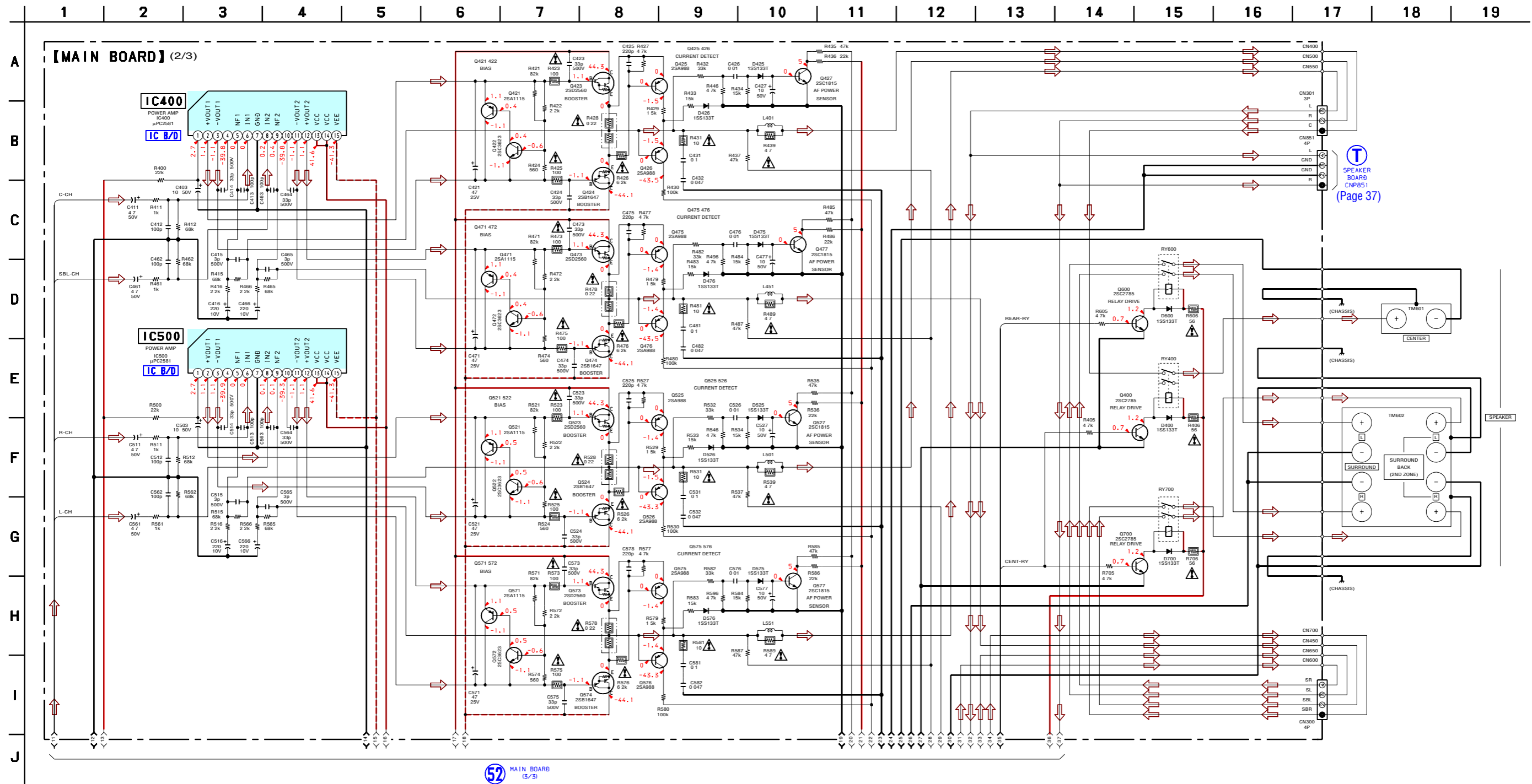
Ref. No.	Location	Ref. No.	Location	Ref. No.	Location	Ref. No.	Location	Ref. No.	Location	Ref. No.	Location	Ref. No.	Location	Ref. No.	Location	Ref. No.	Location	Ref. No.	Location	Ref. No.	Location		
D201	F-13	D290	C-14	D526	H-9	D726	H-13	IC401	D-4	Q220	G-11	Q421	I-4	Q474	I-3	Q527	H-9	Q622	J-11	Q675	H-7	Q727	H-12
D202	G-14	D291	C-13	D575	H-6	D801	E-13	IC500	G-5	Q225	G-11	Q422	J-4	Q475	H-2	Q571	I-6	Q623	I-10	Q676	H-8	Q809	D-12
D203	G-14	D300	C-8	D576	H-6	D818	E-13	IC600	G-7	Q235	G-11	Q423	I-3	Q476	H-2	Q572	J-6	Q624	I-11	Q677	H-7		
D220	G-10	D351	D-6	D600	C-11			IC604	D-7	Q240	D-9	Q424	I-4	Q477	H-2	Q573	I-5	Q625	H-11	Q700	C-12		
D221	G-10	D400	C-9	D625	H-11	IC210	G-13	IC700	G-9	Q250	E-9	Q425	H-4	Q521	I-9	Q574	I-6	Q626	H-11	Q721	I-13		
D235	G-11	D425	H-4	D626	H-11	IC260	E-7			Q255	G-13	Q426	H-4	Q522	J-9	Q575	H-5	Q627	H-10	Q722	J-13		
D240	D-9	D426	H-4	D675	H-7	IC265	E-7	Q200	G-14	Q256	F-13	Q427	H-3	Q523	I-9	Q576	H-6	Q671	I-7	Q723	I-12		
D250	E-9	D475	H-2	D676	H-7	IC300	C-6	Q201	F-13	Q300	C-8	Q471	I-2	Q524	I-10	Q577	H-5	Q672	J-7	Q724	I-13		
D251	E-8	D476	H-2	D700	C-12	IC301	C-2	Q202	G-13	Q351	D-7	Q472	J-2	Q525	H-9	Q600	C-11	Q673	I-7	Q725	H-12		
D265	E-7	D525	H-9	D725	H-13	IC400	G-3	Q210	G-13	Q400	C-9	Q473	I-2	Q526	H-9	Q621	I-11	Q674	I-8	Q726	H-13		



6-20. SCHEMATIC DIAGRAM – MAIN Board (1/3) –



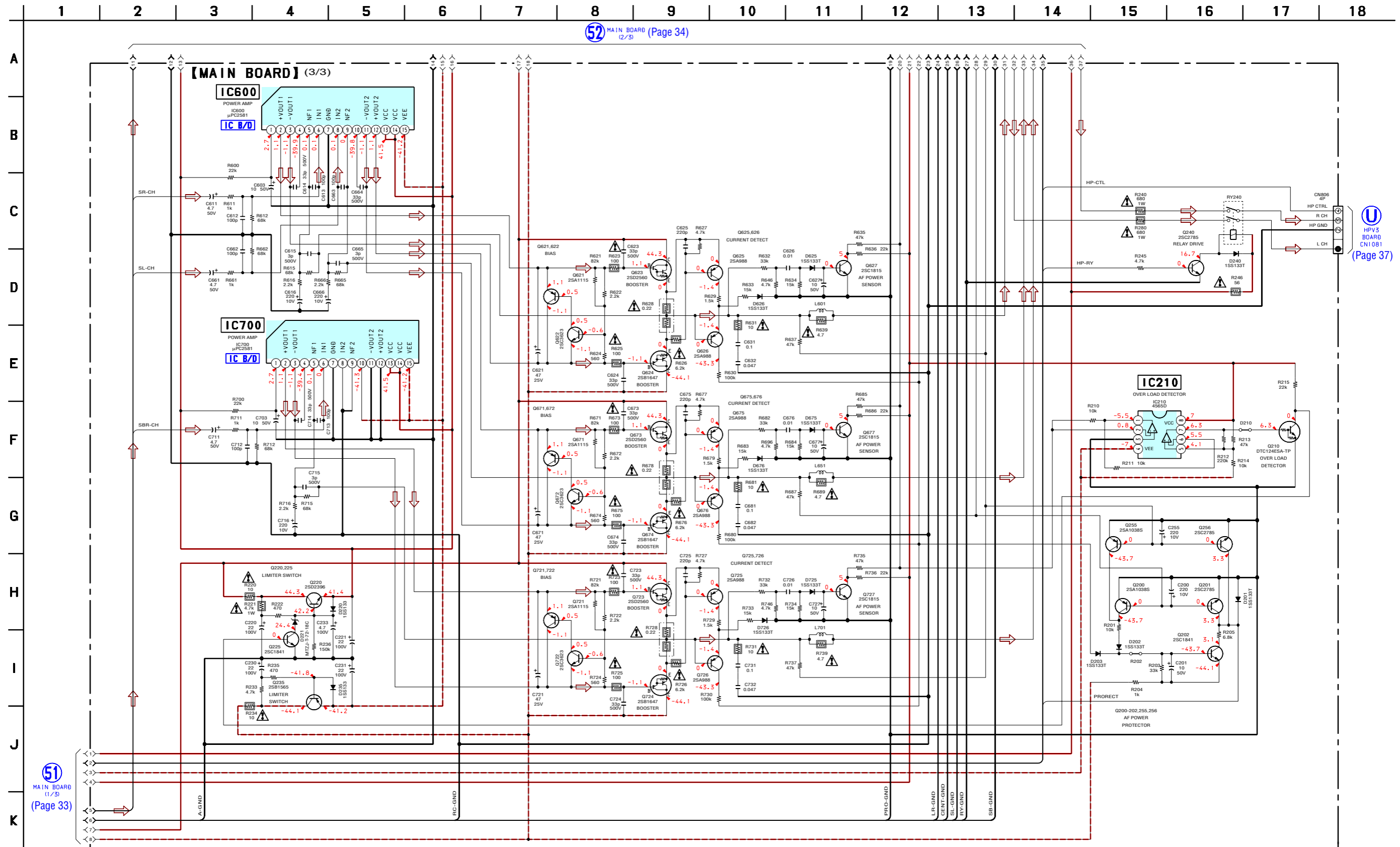
6-21. SCHEMATIC DIAGRAM – MAIN Board (2/3) – • See page 50 for IC Block Diagrams.



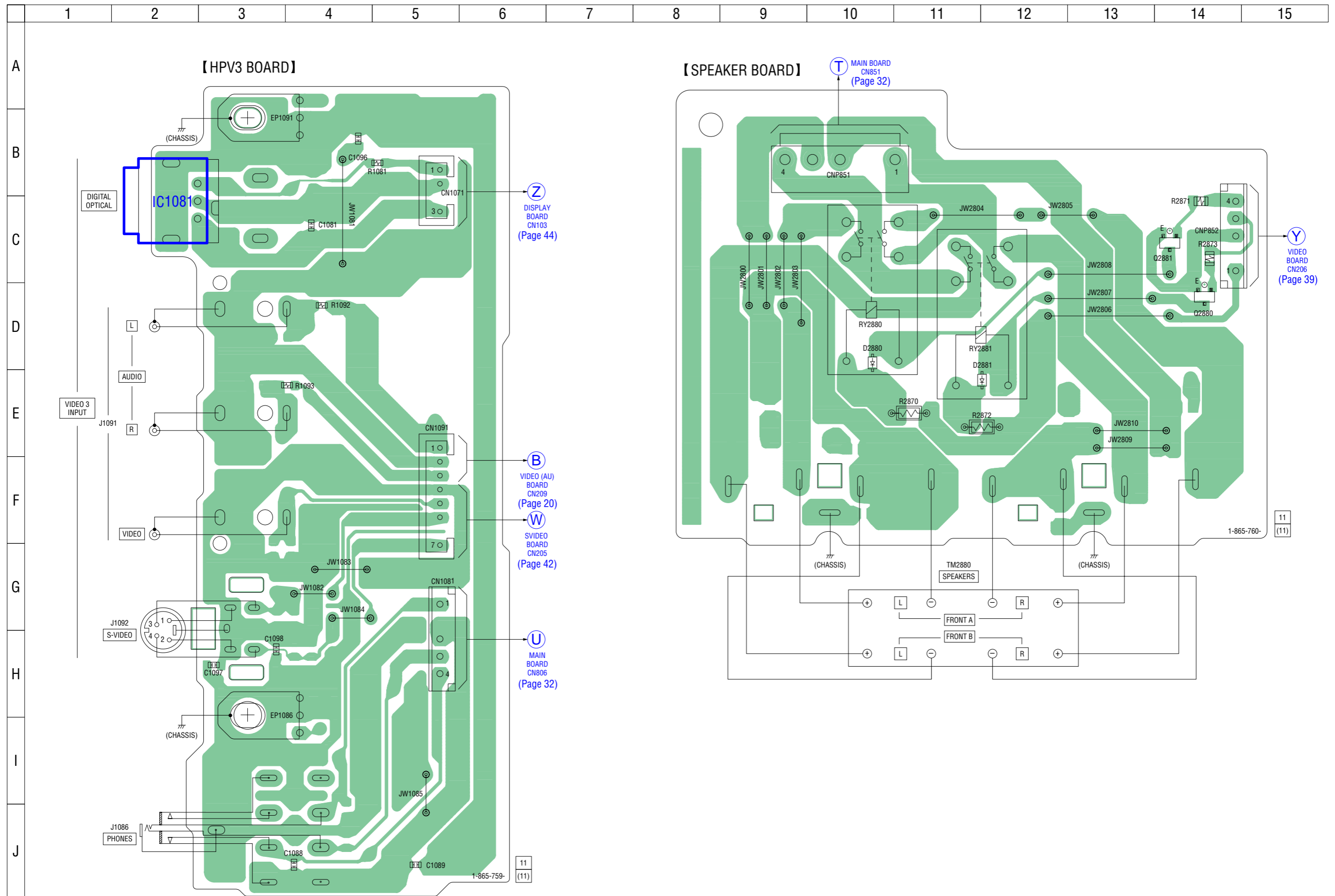
52 MAIN BOARD (3/3) (Page 35)

T SPEAKER BOARD CNP851 (Page 37)

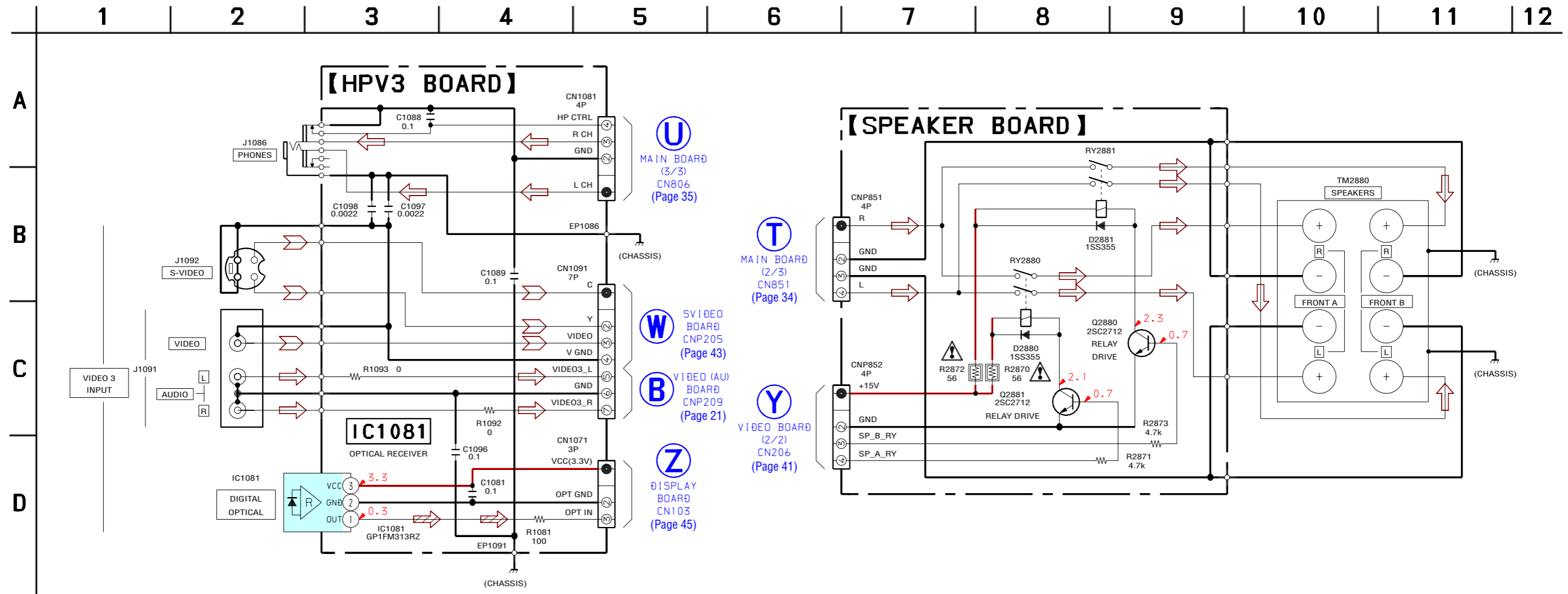
6-22. SCHEMATIC DIAGRAM – MAIN Board (3/3) – • See page 50 for IC Block Diagrams.



6-23. PRINTED WIRING BOARDS – SPEAKER Section – • See page 19 for Circuit Boards Location.  : Uses unleaded solder.



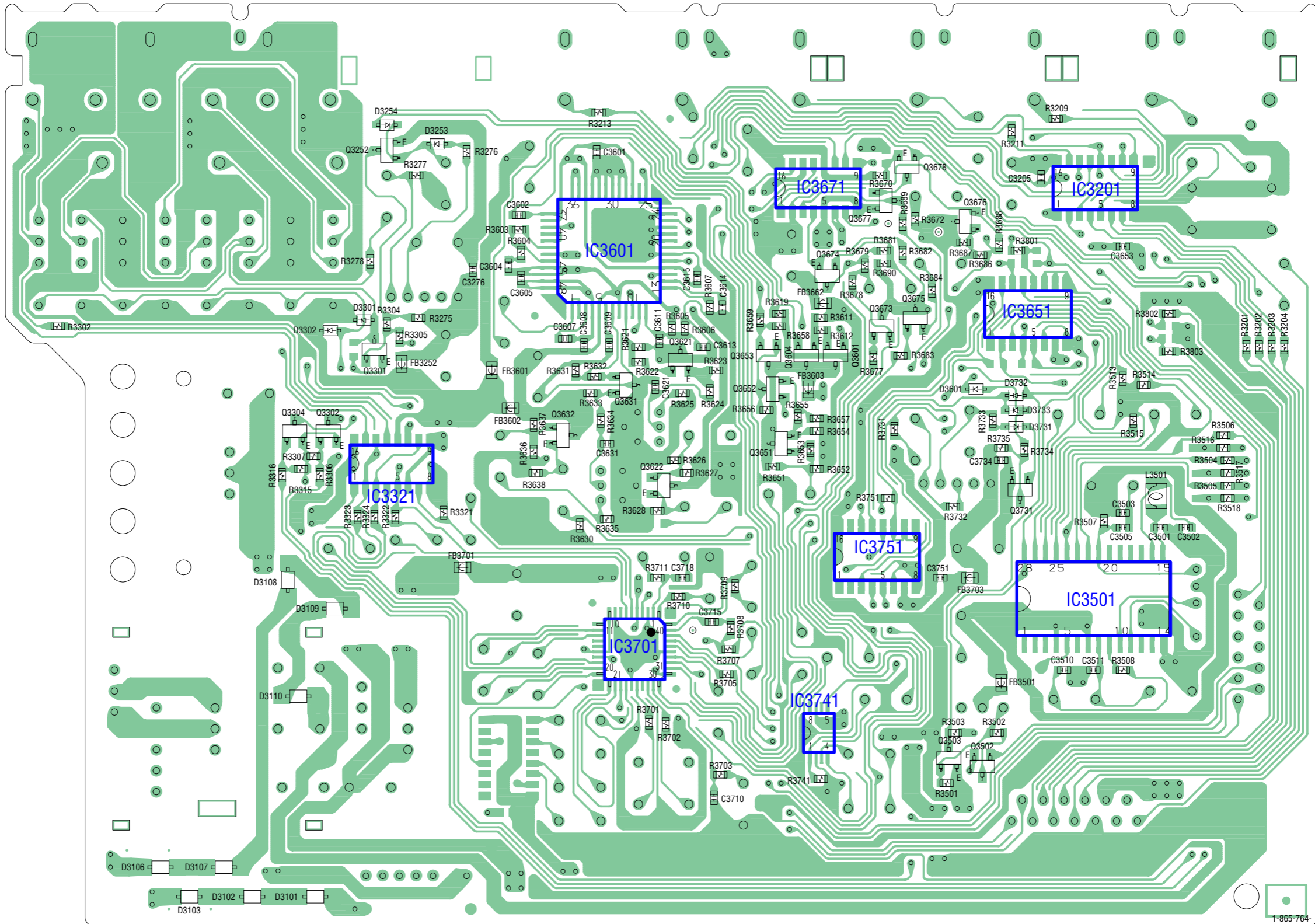
6-24. SCHEMATIC DIAGRAM – SPEAKER Section –




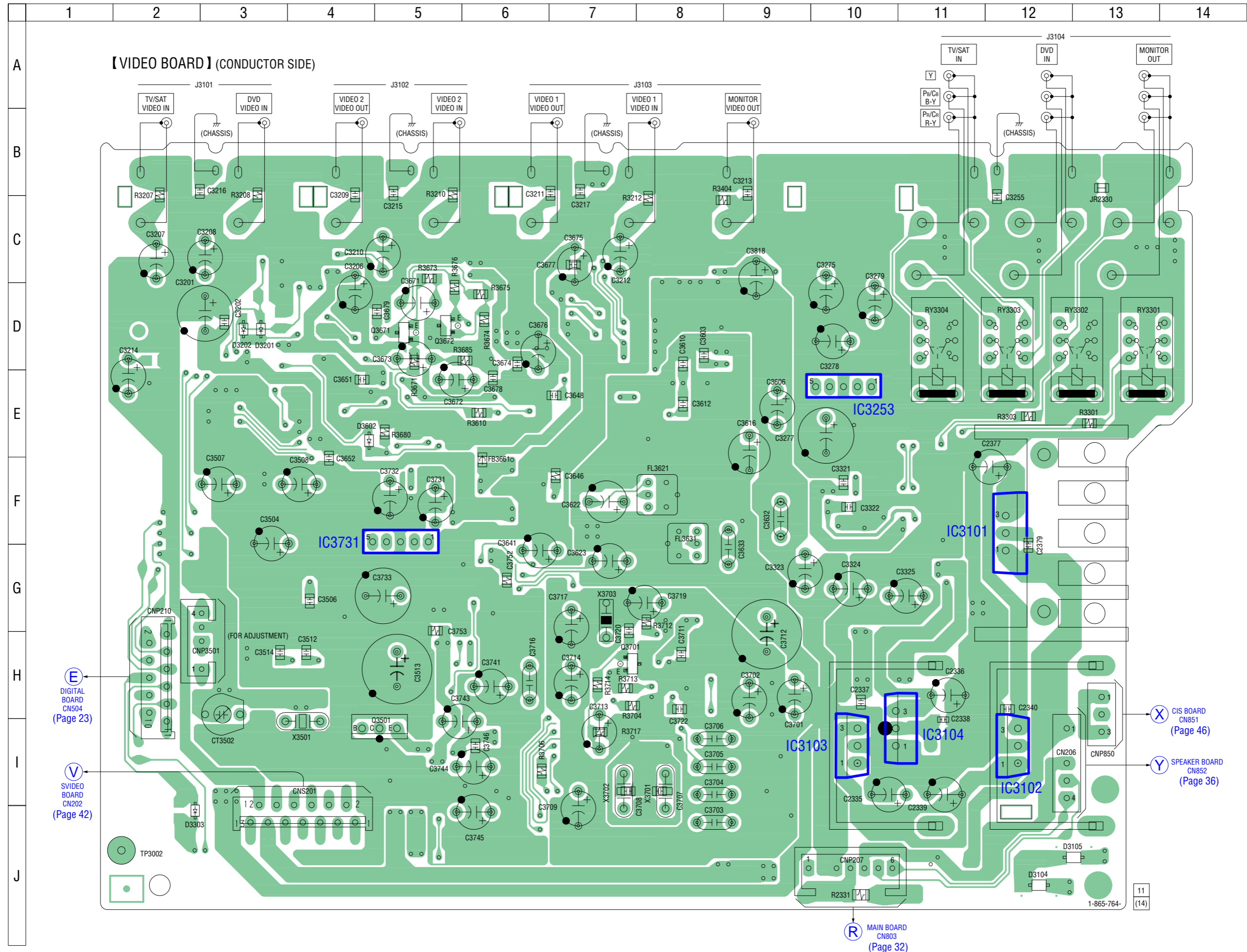
• Semiconductor Location

Ref. No.	Location
D3253	C-5
D3254	C-5
D3301	E-5
D3302	E-4
D3601	F-11
D3731	F-11
D3732	F-11
D3733	F-11
IC3201	D-12
IC3321	F-5
IC3501	H-12
IC3601	D-7
IC3651	E-11
IC3671	D-9
IC3701	H-7
IC3741	I-9
IC3751	G-10
Q3252	C-5
Q3301	E-5
Q3302	F-4
Q3304	F-4
Q3502	I-11
Q3503	I-10
Q3601	E-9
Q3604	E-9
Q3621	E-8
Q3622	F-8
Q3631	F-7
Q3632	F-7
Q3651	F-9
Q3652	F-9
Q3653	E-9
Q3673	E-10
Q3674	D-9
Q3675	E-10
Q3676	D-11
Q3677	D-10
Q3678	C-10
Q3731	G-11

【VIDEO BOARD】(COMPONENT SIDE)

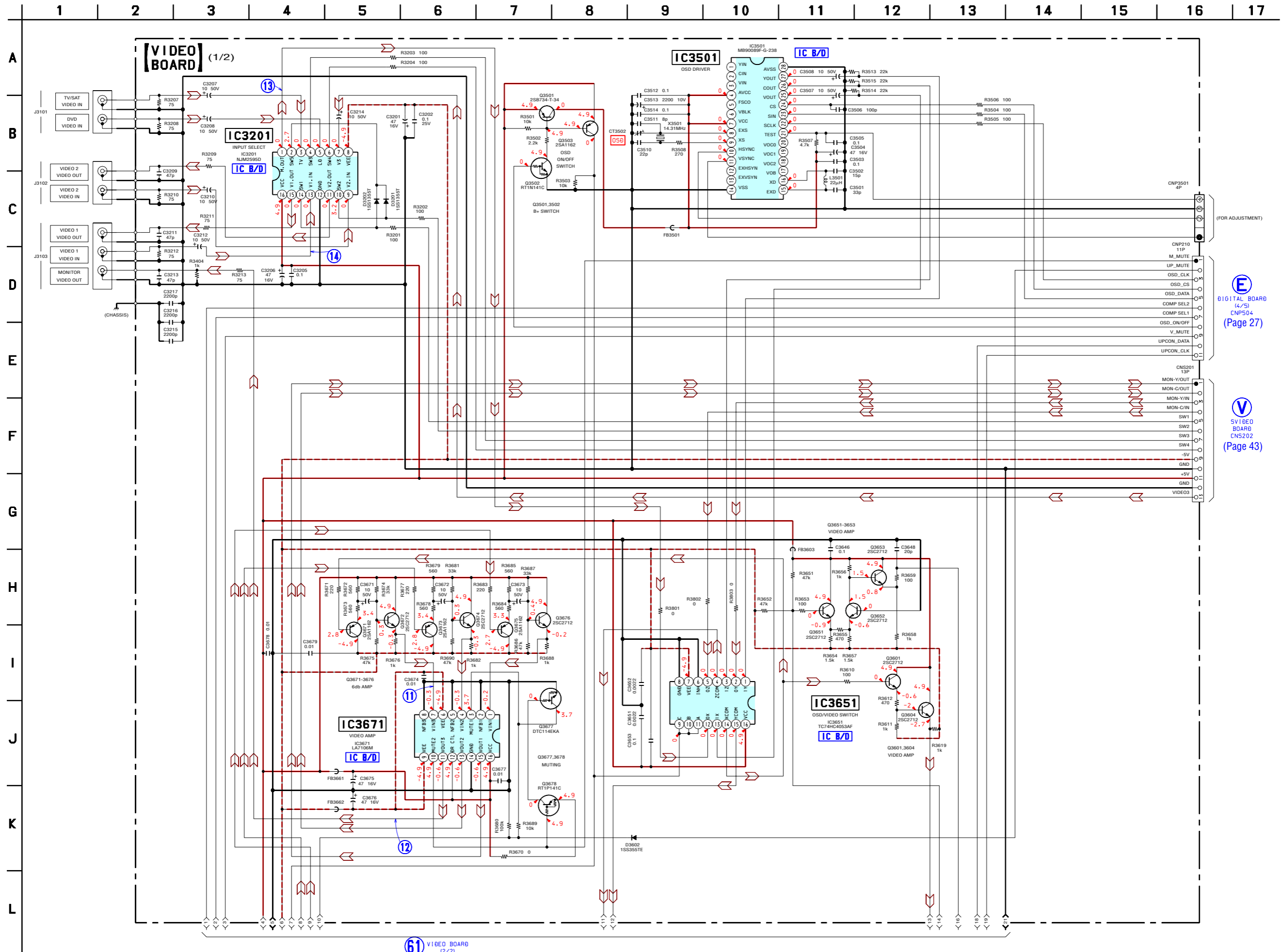


6-26. PRINTED WIRING BOARD – VIDEO Board (Conductor Side) – • See page 19 for Circuit Boards Location.  : Uses unleaded solder.



• Semiconductor Location

Ref. No.	Location
D3201	D-3
D3202	D-3
D3303	J-2
D3602	E-4
IC3101	F-12
IC3102	I-12
IC3103	I-10
IC3104	I-11
IC3253	E-10
IC3731	F-5
Q3501	I-5
Q3671	D-5
Q3672	D-5
Q3701	H-7

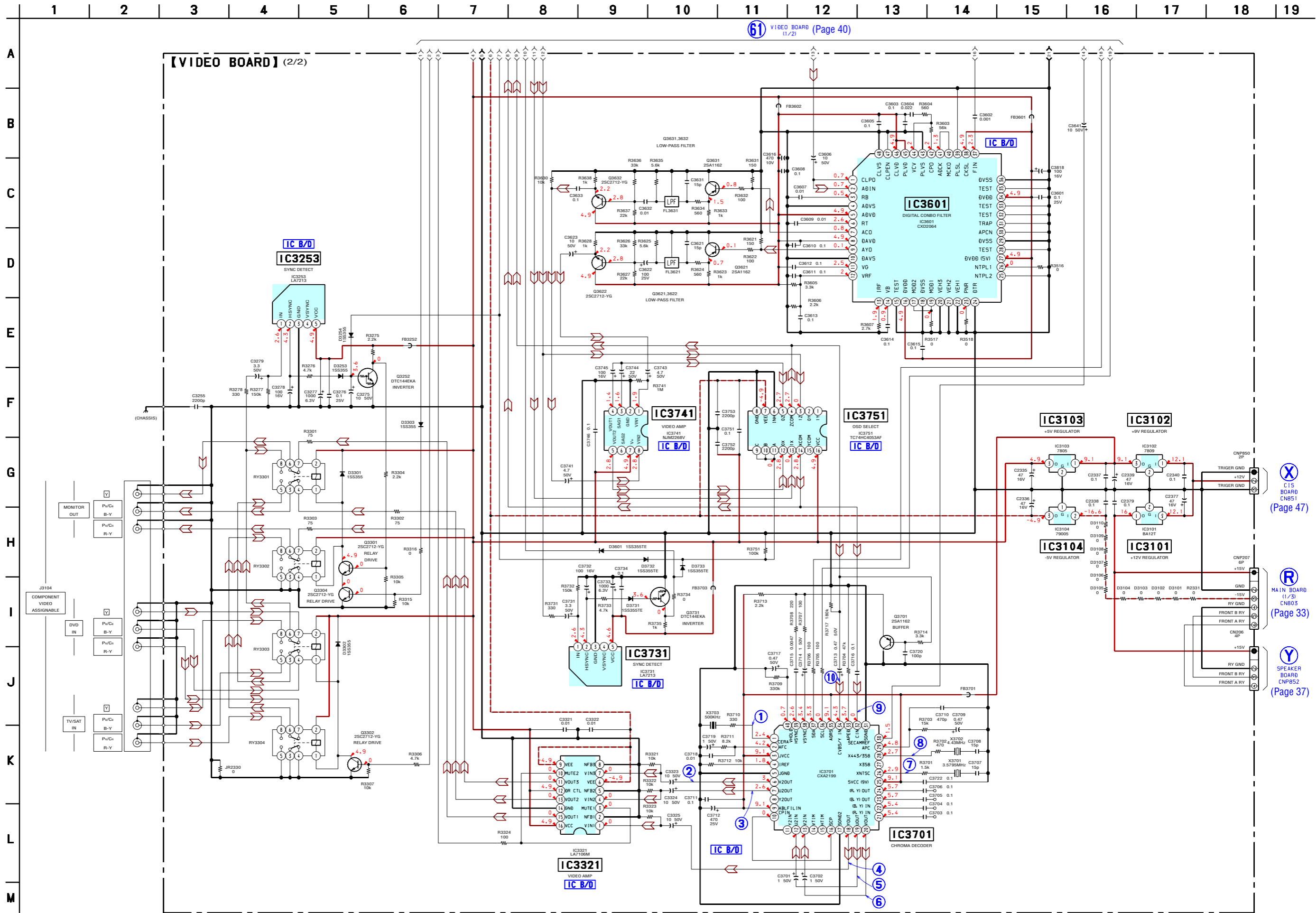


**(E)** DIGITAL BOARD (4/5) CNP504 (Page 27)

**(V)** SV VIDEO BOARD CNS202 (Page 43)



6-28. SCHEMATIC DIAGRAM – VIDEO Board (2/2) – • See page 29 for Waveforms. • See page 50 for IC Block Diagrams.




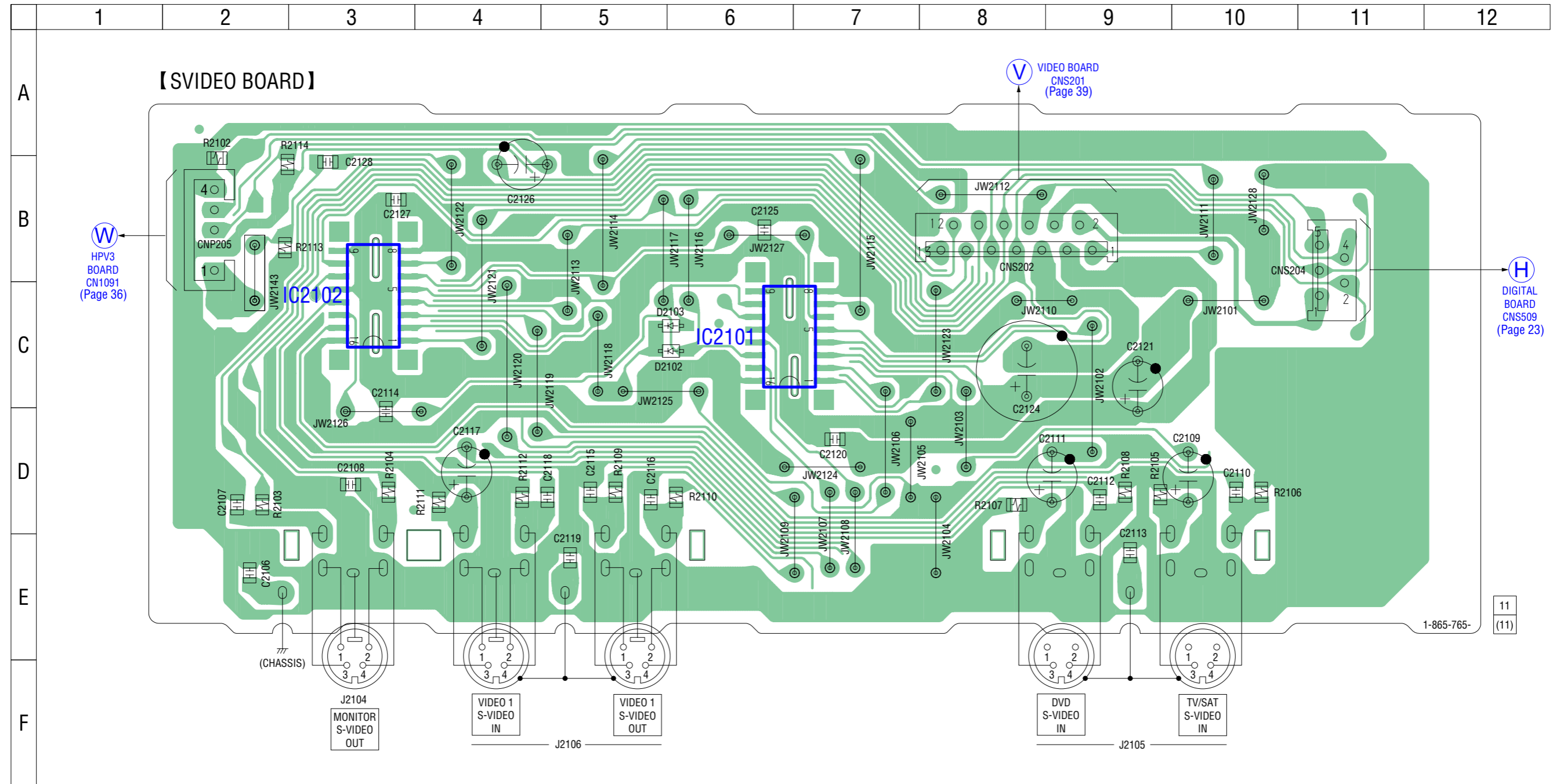
61 VIDEO BOARD (1/2) (Page 40)

X C15 BOARD CN851 (Page 47)

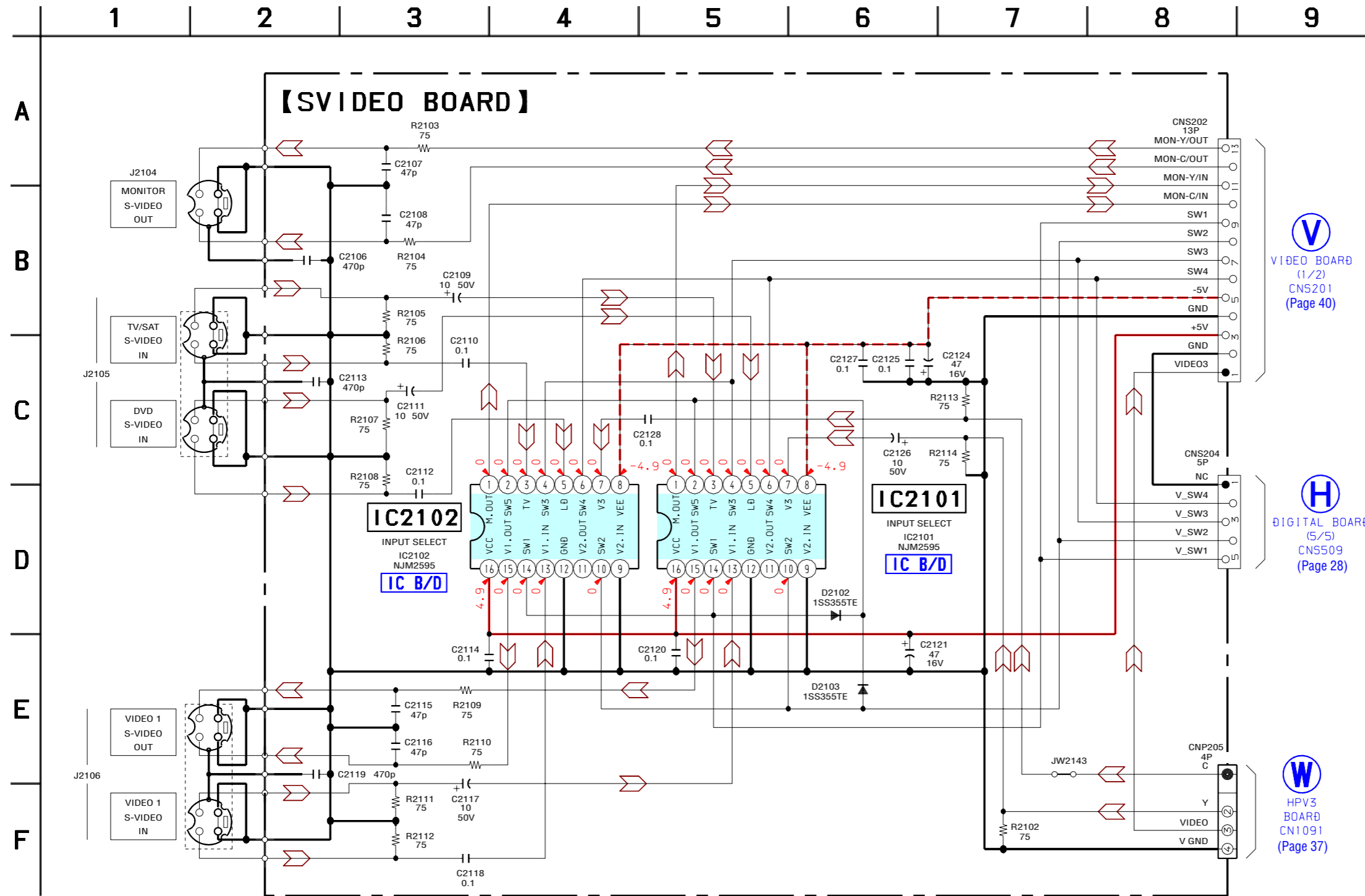
R MAIN BOARD (1/3) CN803 (Page 33)

Y SPEAKER BOARD CNP852 (Page 37)

6-29. PRINTED WIRING BOARD – SVIDEO Board – • See page 19 for Circuit Boards Location.  : Uses unleaded solder.



6-30. SCHEMATIC DIAGRAM – SVIDEO Board – • See page 50 for IC Block Diagrams.

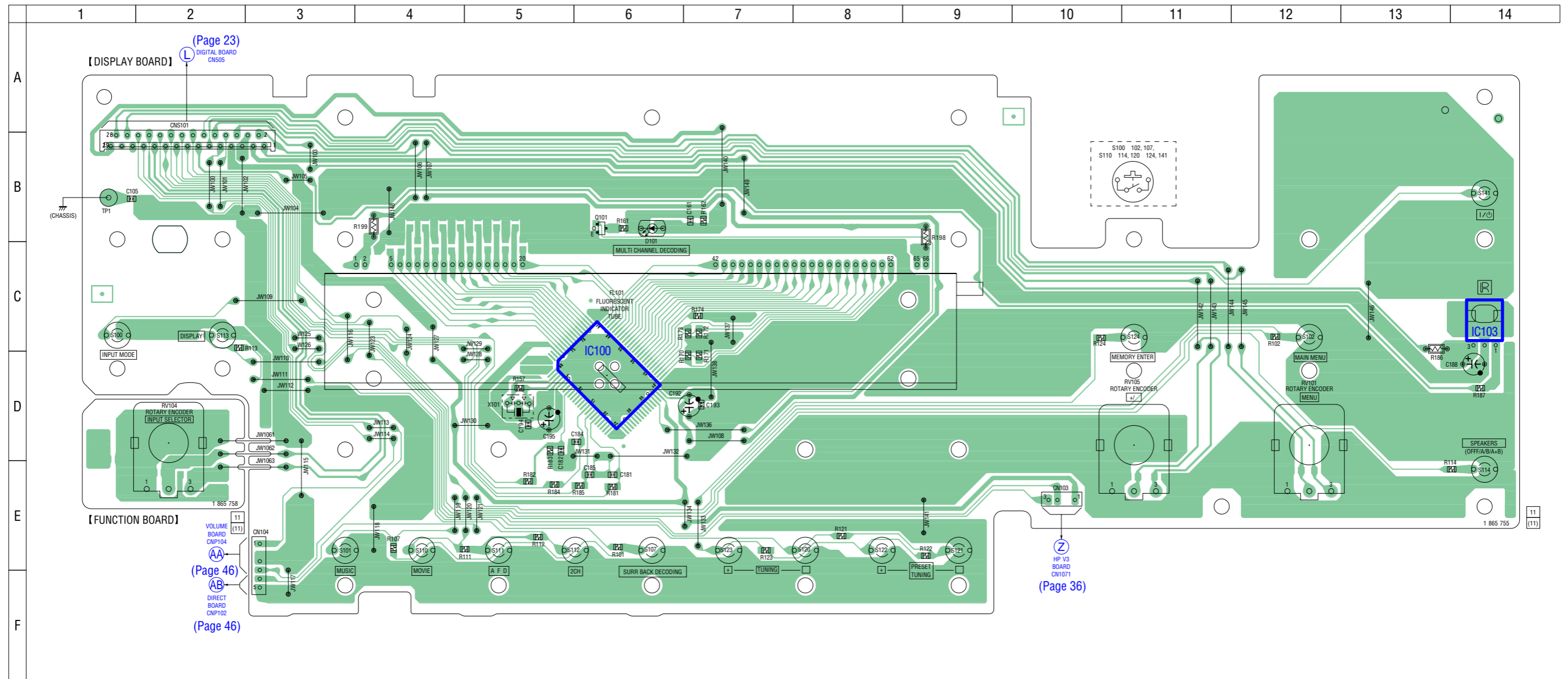


V VIDEO BOARD (1/2) CNS201 (Page 40)

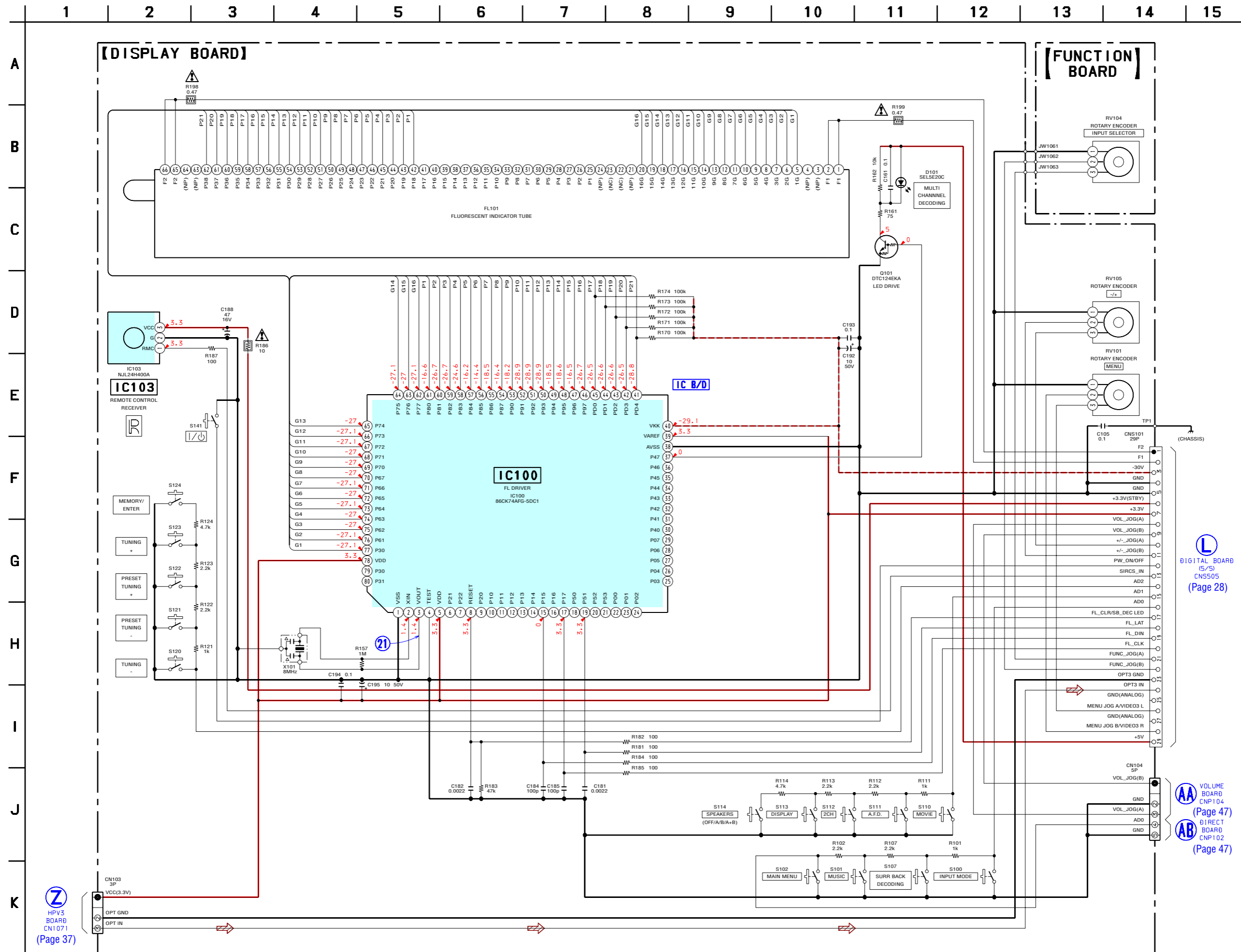
H DIGITAL BOARD (5/5) CNS509 (Page 28)

W HPV3 BOARD CN1091 (Page 37)

6-31. PRINTED WIRING BOARDS – DISPLAY Section – • See page 19 for Circuit Boards Location.  : Uses unleaded solder.




6-32. SCHEMATIC DIAGRAM – DISPLAY Section – • See page 29 for Waveforms. • See page 50 for IC Block Diagrams.

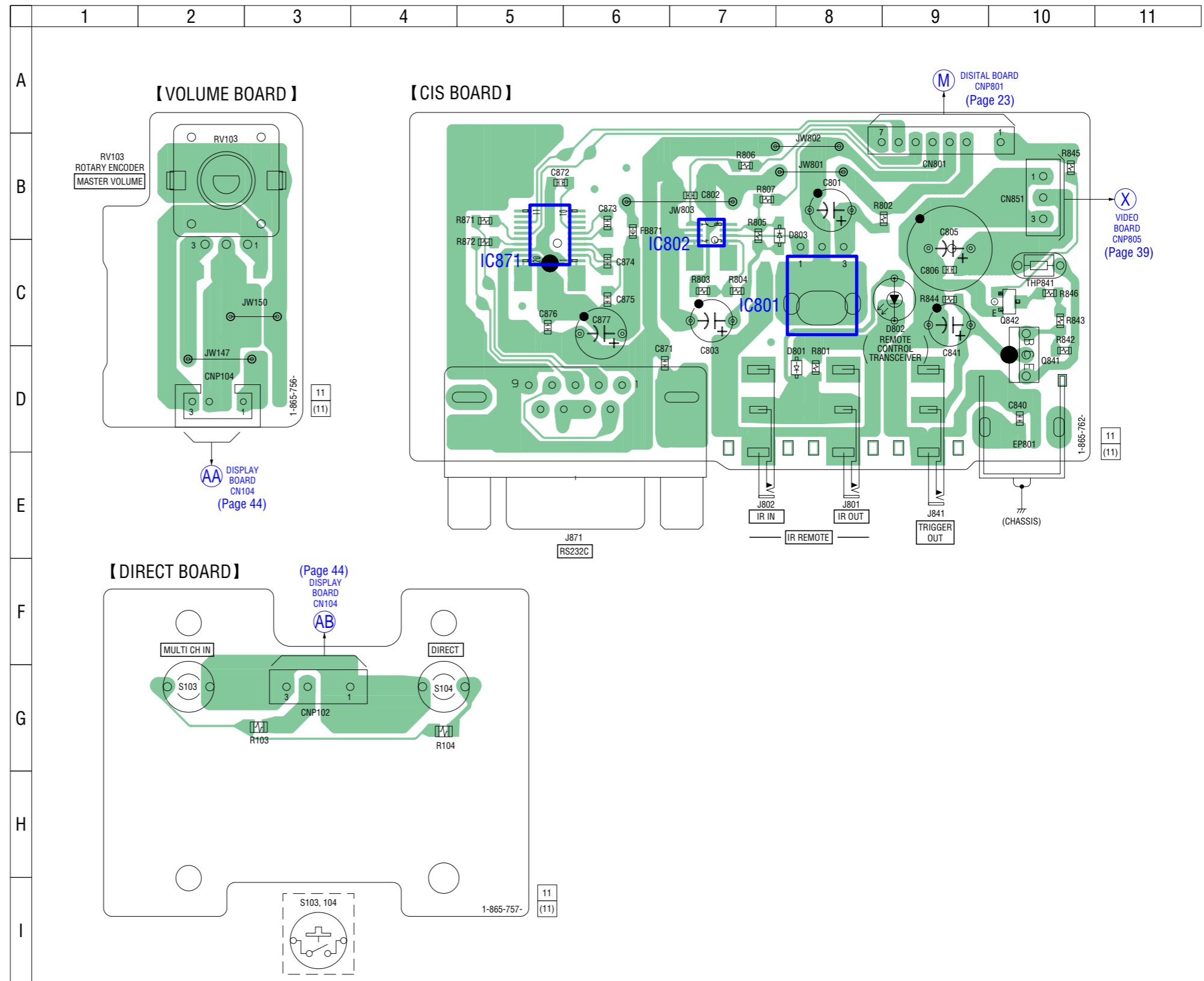


DIGITAL BOARD (5/5) CNS505 (Page 28)

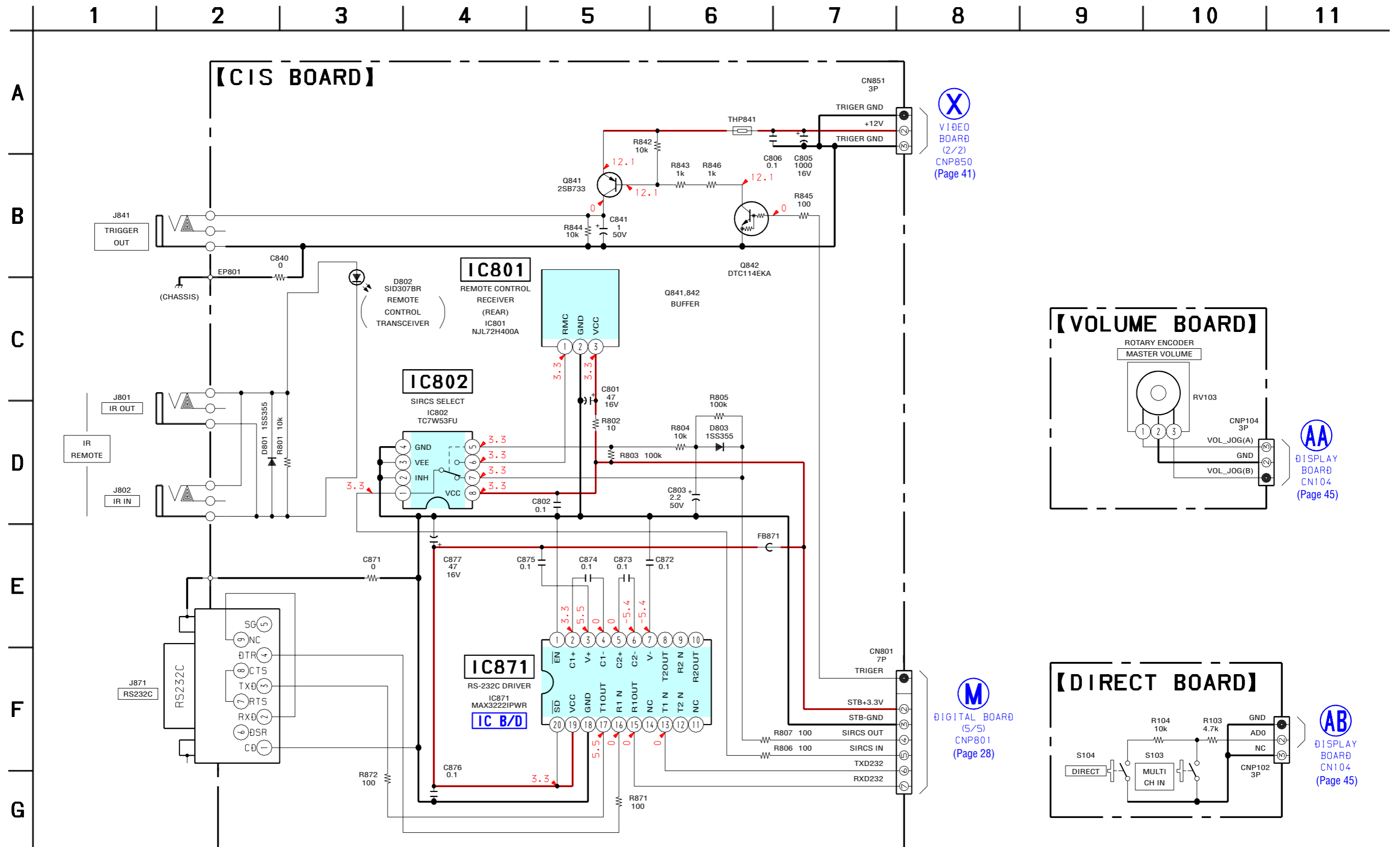
VOLUME BOARD CNP104 (Page 47)  
DIRECT BOARD CNP102 (Page 47)


HPV3 BOARD CN1071 (Page 37)

6-33. PRINTED WIRING BOARDS – CIS Section – • See page 19 for Circuit Boards Location.  : Uses unleaded solder.



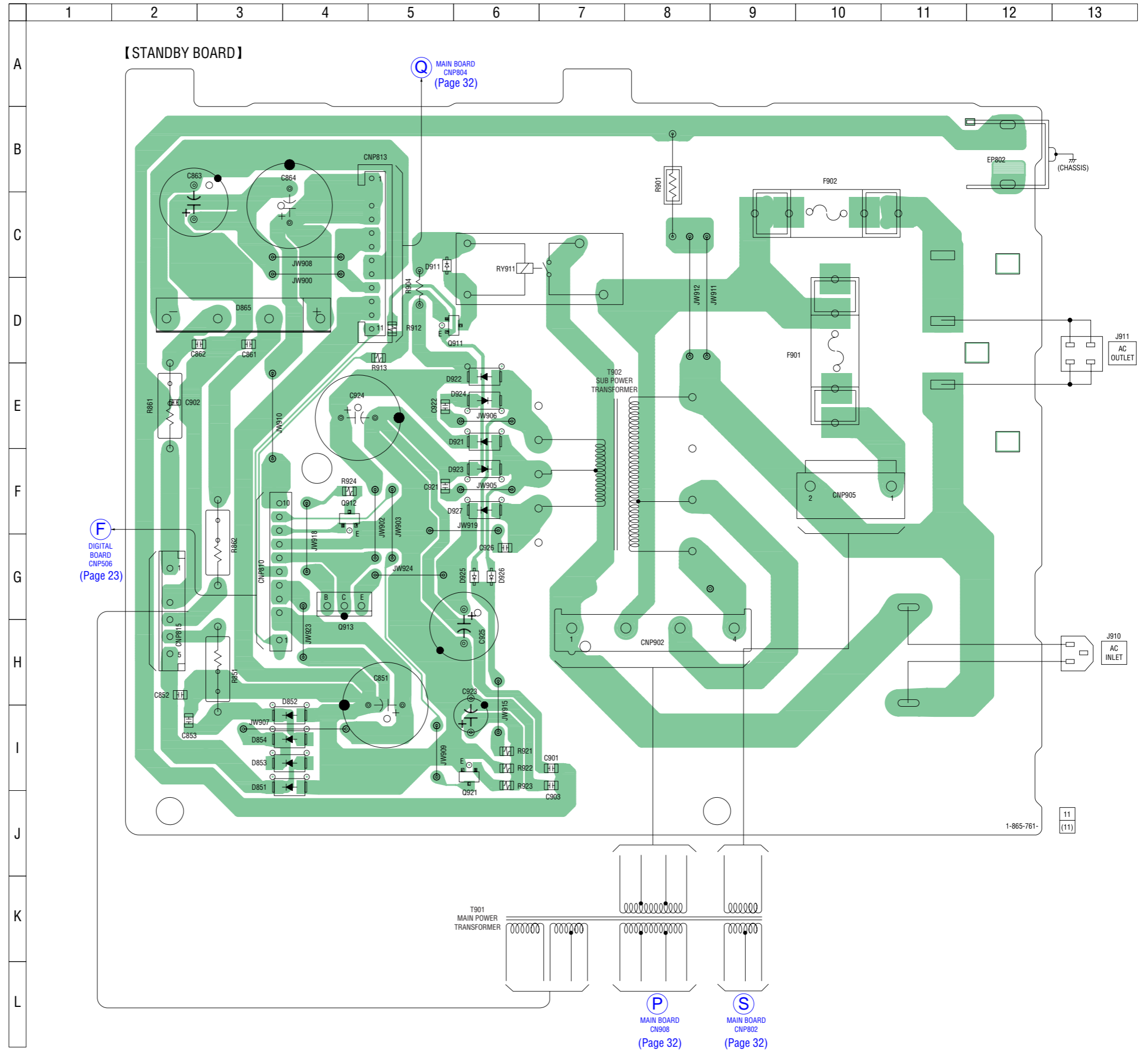
6-34. SCHEMATIC DIAGRAM – CIS Section – • See page 50 for IC Block Diagrams.



6-35. PRINTED WIRING BOARD – STANDBY Board – • See page 19 for Circuit Boards Location.  : Uses unleaded solder.

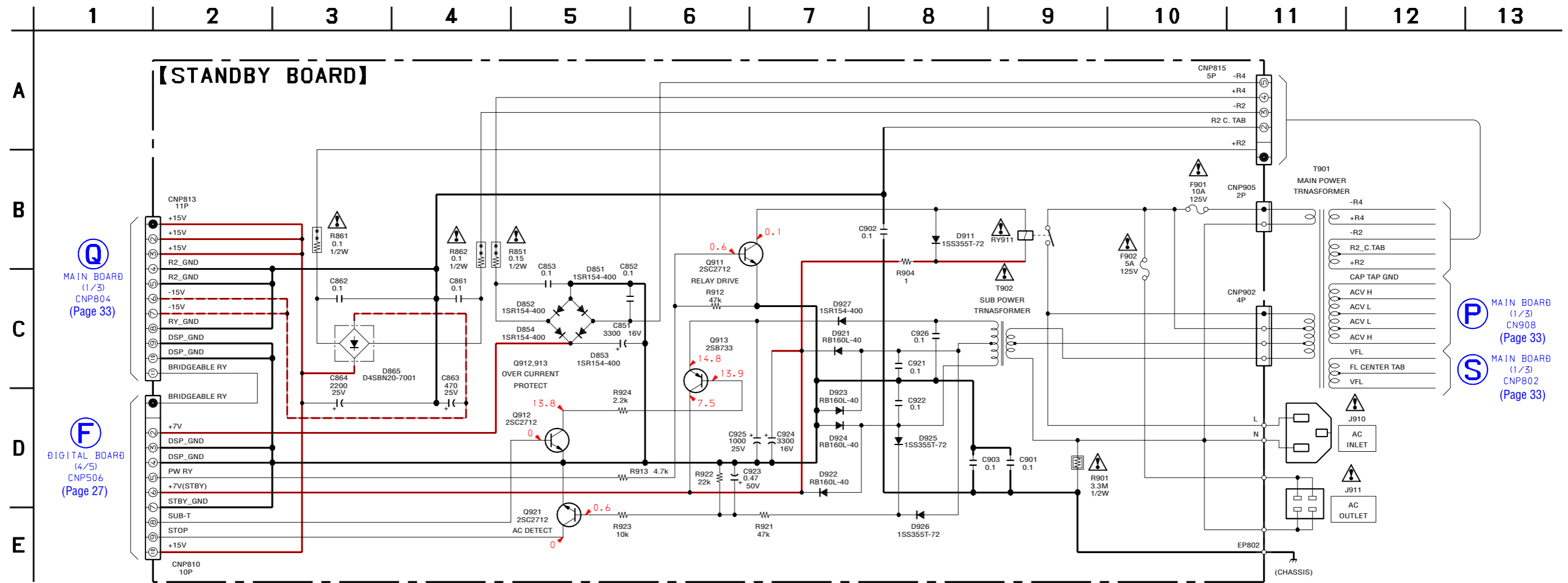
• Semiconductor Location

Ref. No.	Location
D851	I-4
D852	I-4
D853	I-4
D854	I-4
D865	D-3
D911	C-5
D921	E-6
D922	E-6
D923	F-6
D924	E-6
D925	G-6
D926	G-6
D927	F-6
Q911	D-6
Q912	F-4
Q913	G-4
Q921	I-6





6-36. SCHEMATIC DIAGRAM – STANDBY Board –



**Q** MAIN BOARD (1/3) CNP804 (Page 33)

**F** DIGITAL BOARD (4/5) CNP506 (Page 27)

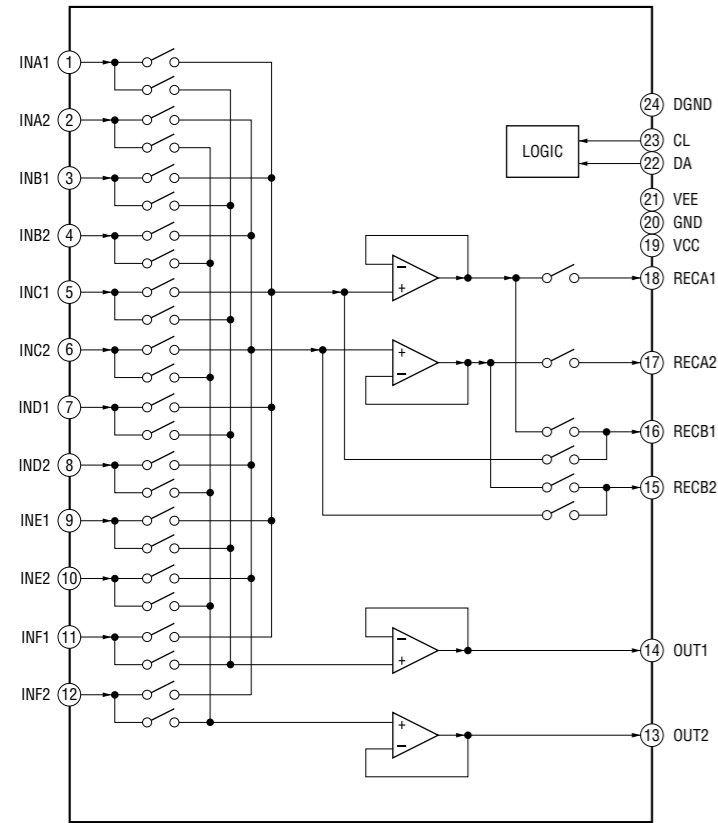
**P** MAIN BOARD (1/3) CNP908 (Page 33)

**S** MAIN BOARD (1/3) CNP802 (Page 33)

• IC Block Diagrams

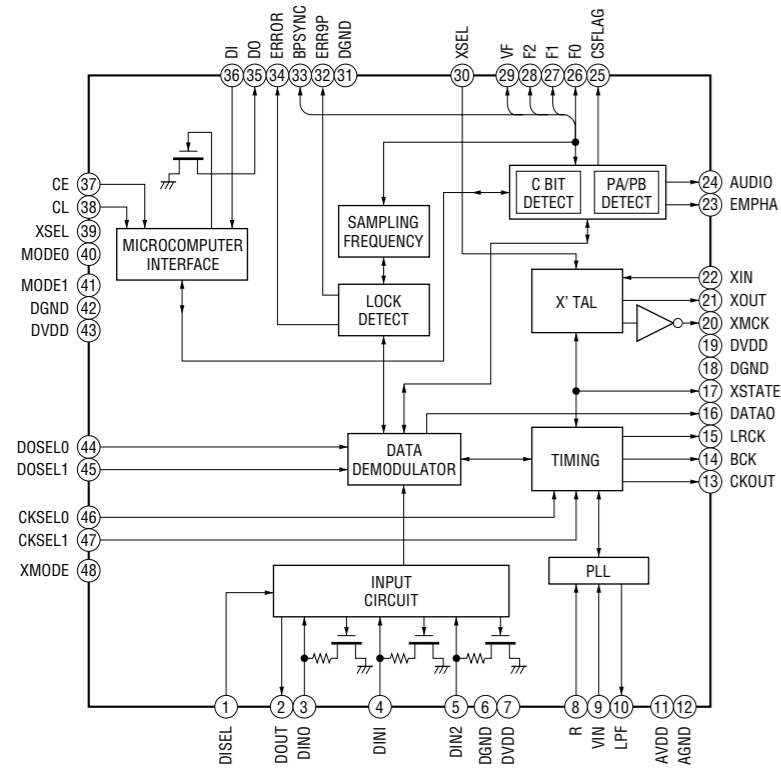
– VIDEO (AU) Board –

IC2560 BD3842FS-FD2

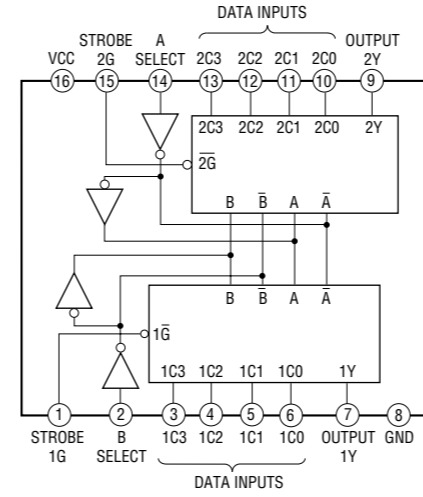


– DIGITAL Board –

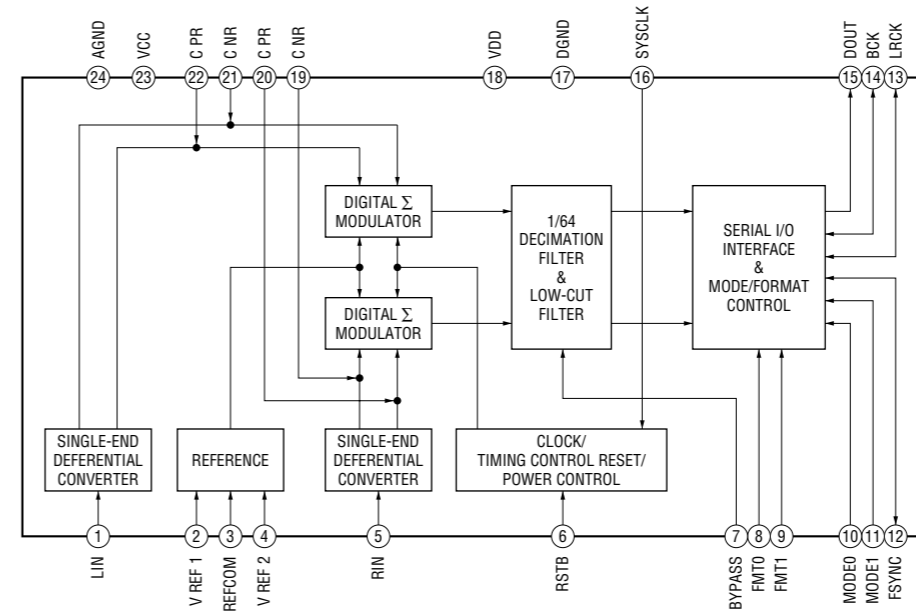
IC1301 LC89056W-E



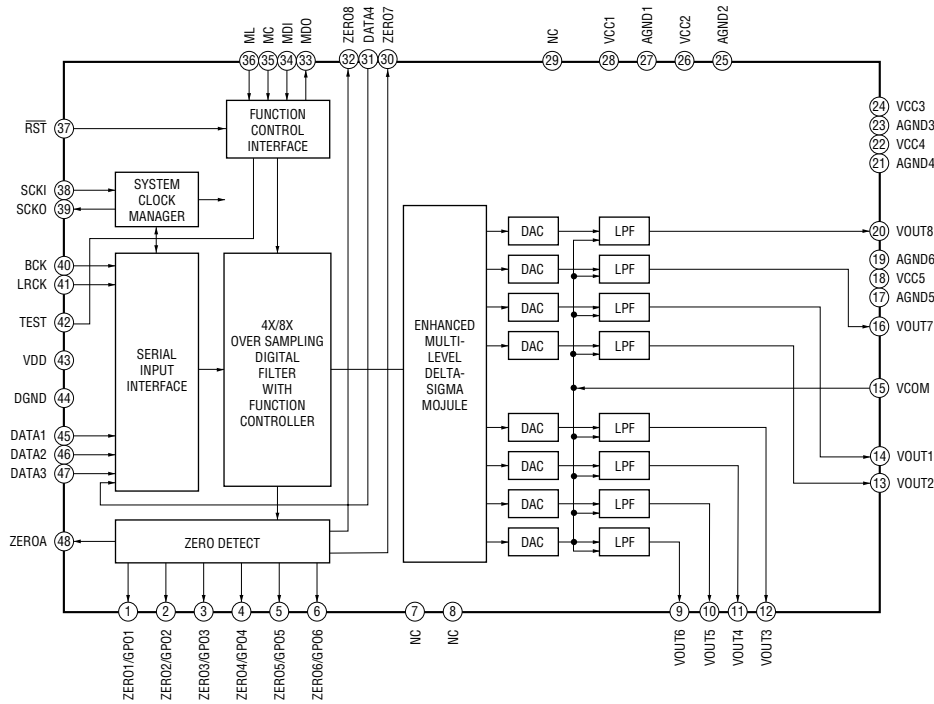
IC1302 TC74ACT153F (EL)



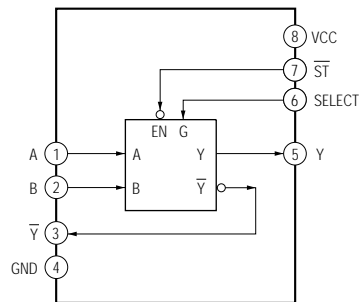
IC1401 PCM1800E/2K



IC1452 PCM1609KPTR

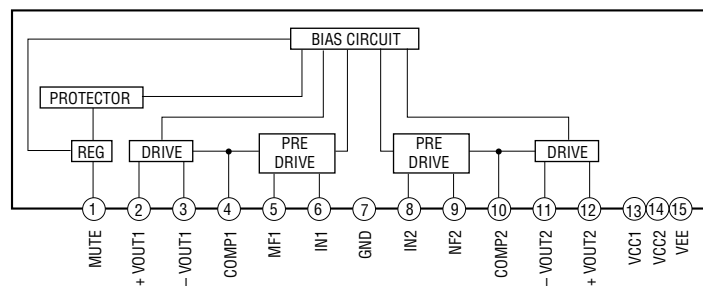


IC1503 TC7WH157FU (TE12R)



– MAIN Board –

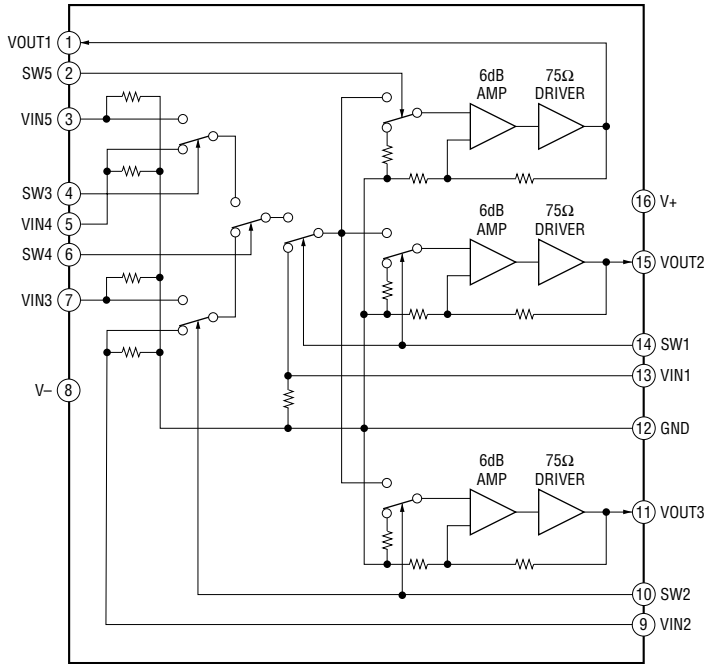
IC400, 500, 600, 700 uPC2581V-S



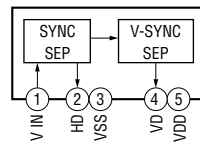
# STR-DA2100ES

## - VIDEO Board -

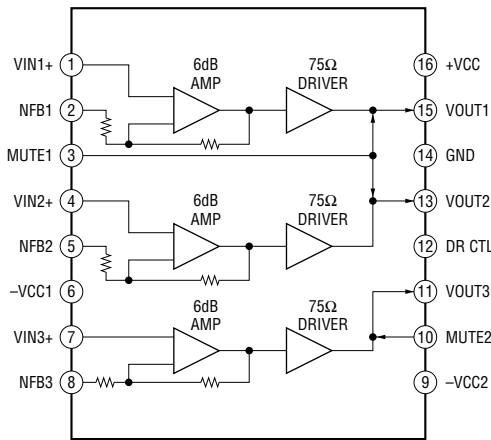
### IC3201 NJM2595M-TE2



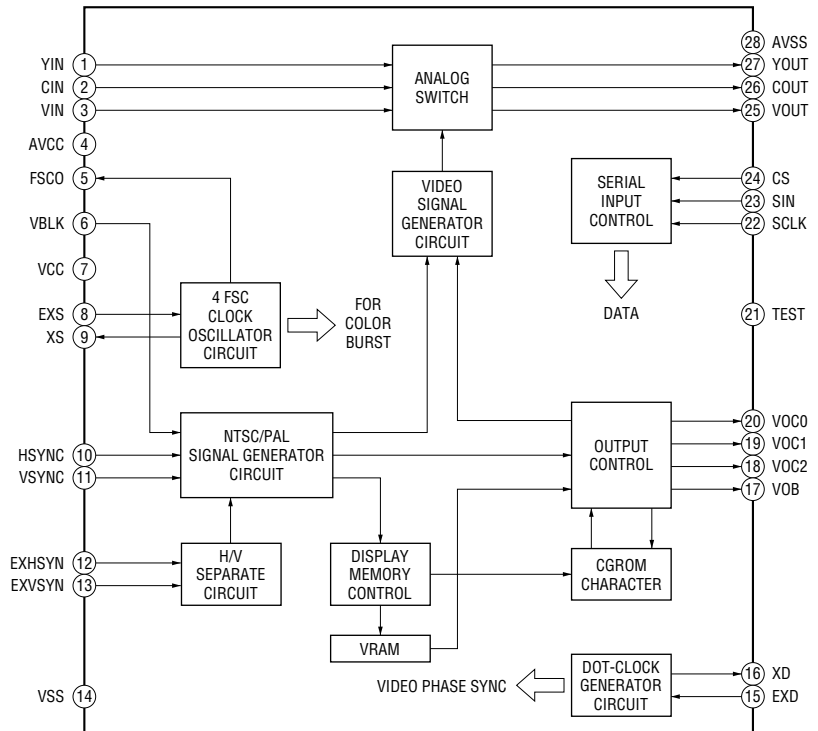
### IC3253, 3731 LA7213



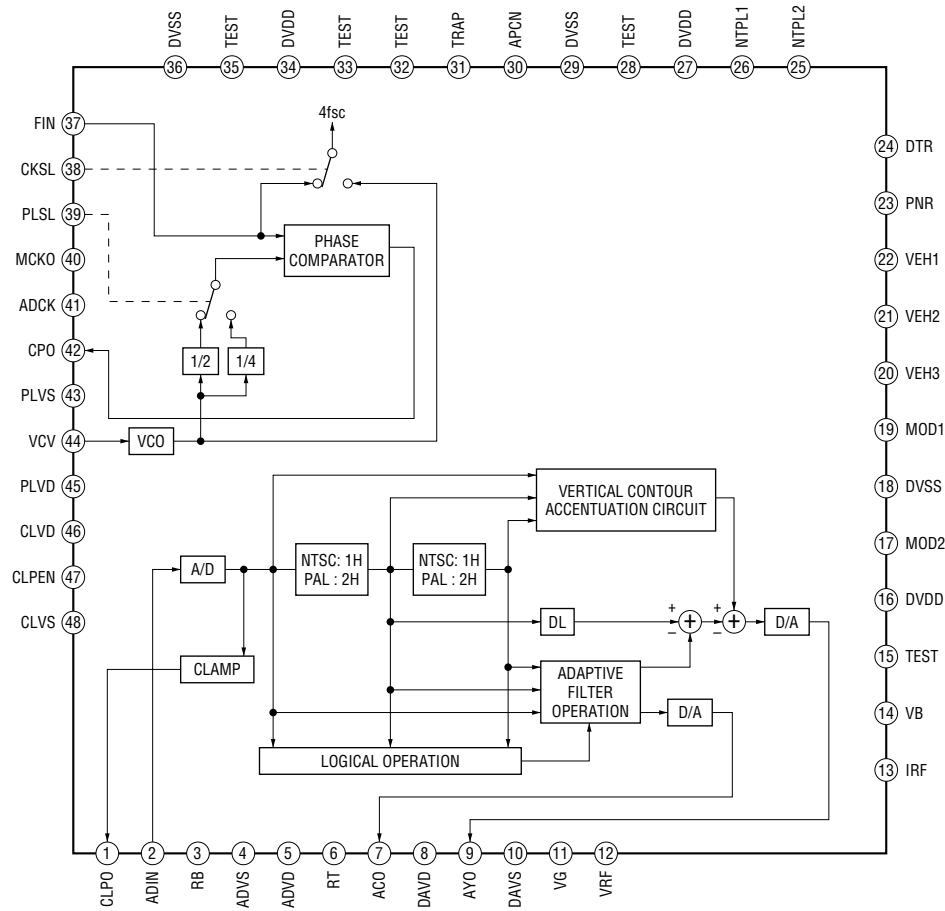
### IC3321, 3671 LA7106M-TLM



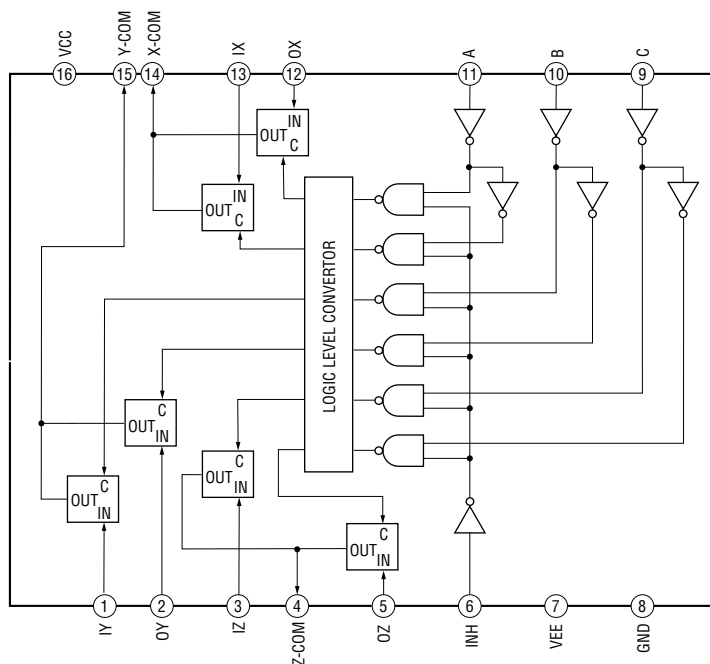
### IC3501 MB90089F-G-238-BND



IC3601 CXD2064Q

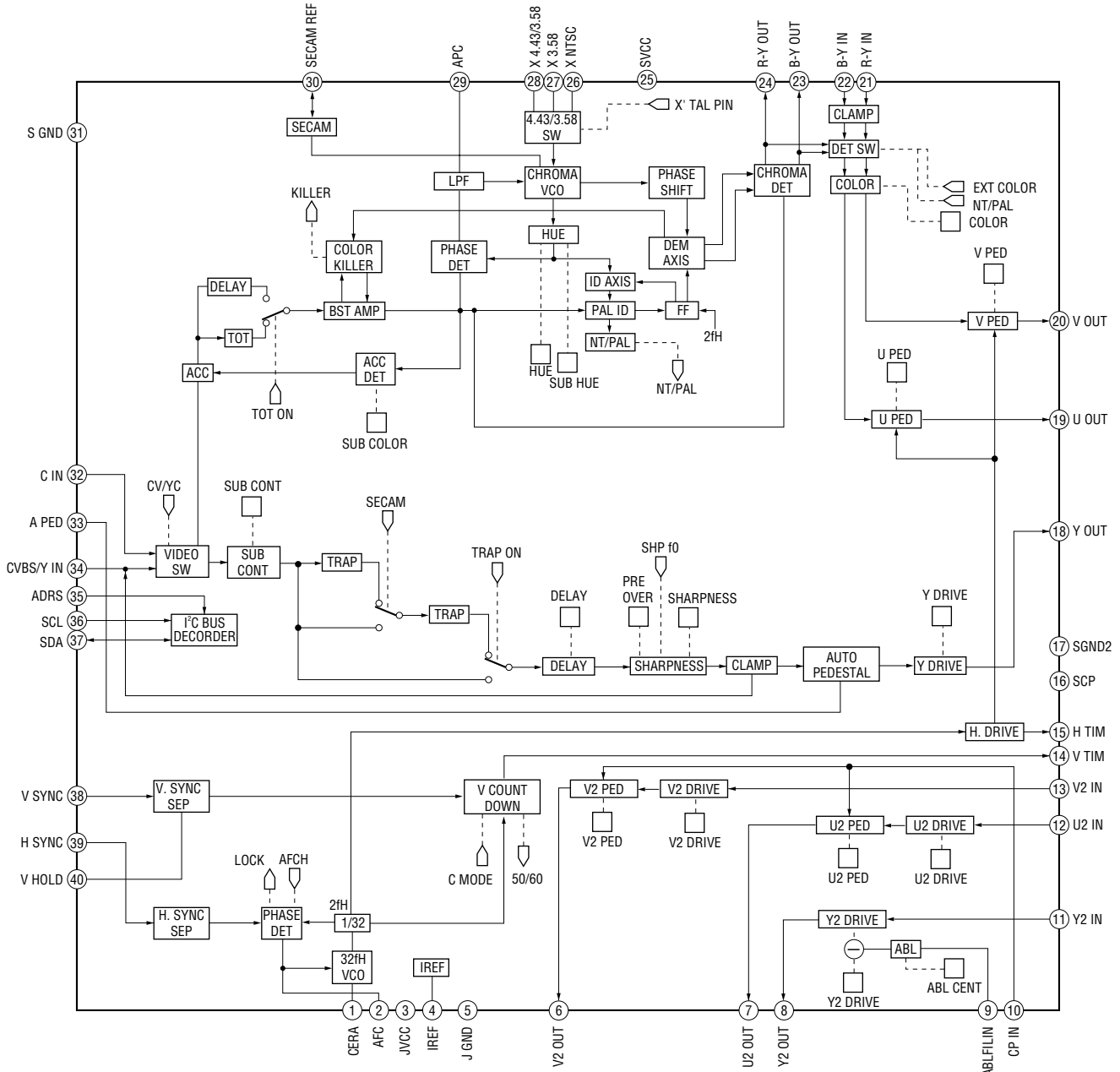


IC3651, 3751 TC74HC4053AFEL

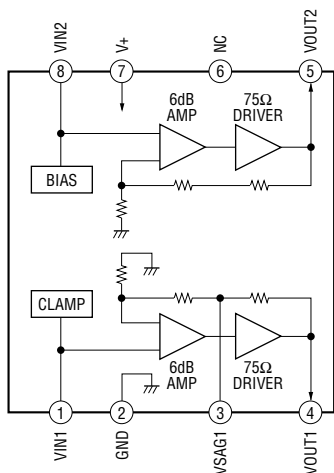


# STR-DA2100ES

## IC3701 CXA2199Q

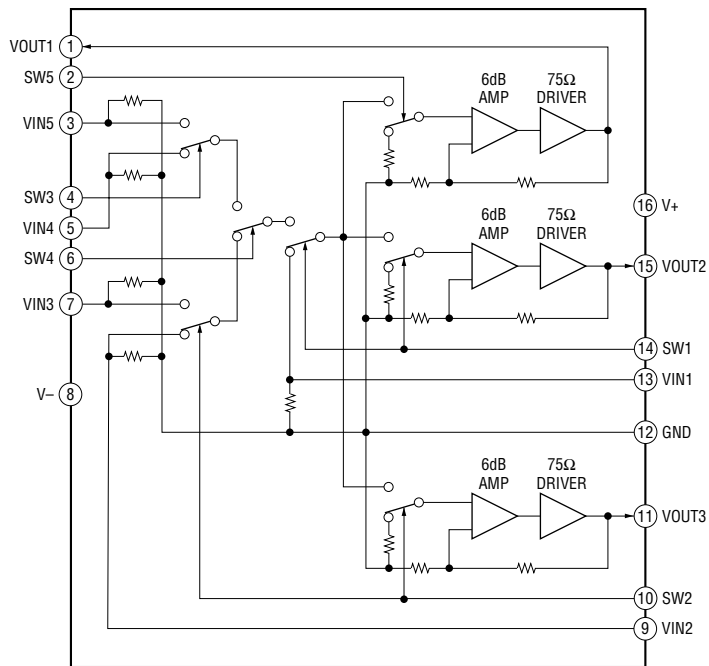


## IC3741 NJM2268V (TE2)



## – SVIDEO Board –

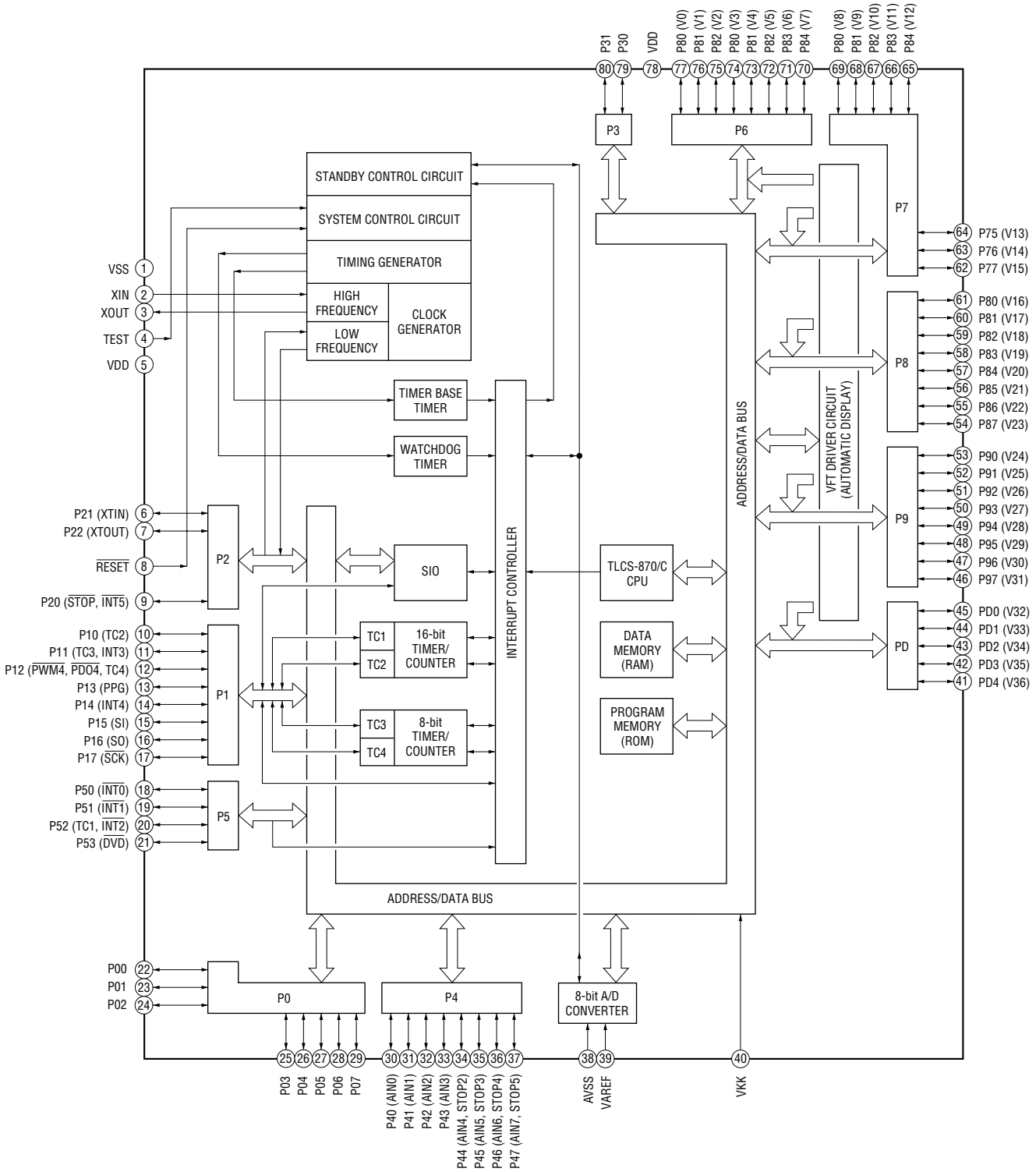
IC2101, 2102 NJM2595M-TE2



# STR-DA2100ES

– DISPLAY Board –

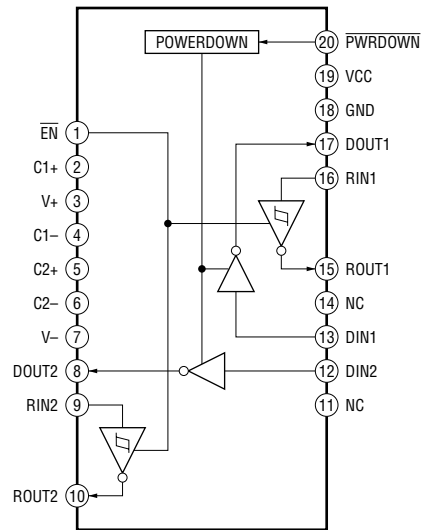
IC100 86CK74AFG-5DC1





– CIS Board –

IC871 MAX3222IPWR



## • IC Pin Function Description

## DIGITAL BOARD IC1101 MB91F155APFV-G-E1-SOZ1445 (MAIN SYSTEM CONTROLLER)

Pin No.	Pin Name	I/O	Description
1	(7.1_DAT)	O	Serial data output to the input select
2	(7.1_CLK)	O	Serial data transfer clock signal output to the input select
3	12V TRIGGER	O	Trigger out signal output terminal
4	END FLAG	-	Not used
5	SUB-T	I	Over current detection signal input from sub power transformer
6	LIP DATA IN	O	Serial data output to the lip sync adjust
7	LIP LATCH	O	Chip select signal output to the lip sync adjust
8	LIP RESET	O	Reset signal output to the lip sync adjust
9	VSS	-	Ground terminal
10, 11	FUNCTION_ JOG_1B, FUNCTION_ JOG_1A	I	Jog dial pulse input from the rotary encoder (for INPUT SELECTOR)
12, 13	MENU_ JOG_4B, MENU_ JOG_4A	I	Jog dial pulse input from the rotary encoder (for MENU)
14, 15	CURSOL_ JOG_3B, CURSOL_ JOG_3A	I	Jog dial pulse input from the rotary encoder (for -/+)
16, 17	VOL_ JOG_2B, VOL_ JOG_2A	I	Jog dial pulse input from the rotary encoder (for MASTER VOLUME)
18	SP_A_RY	O	Relay drive signal (for FRONT A output) output terminal "H": relay on
19	SP_B_RY	O	Relay drive signal (for FRONT B output) output terminal "H": relay on
20	CENTER_RY	O	Relay drive signal (for CENTER output) output terminal "H": relay on
21	REAR_RY	O	Relay drive signal (for SURROUND output) output terminal "H": relay on
22	WOOFER_RY	O	Relay drive signal (for SUB WOOFER output) output terminal "H": relay on
23	PROTECTOR	I	Over load detection signal input from the protect circuit "L": over load
24	HP_CTRL	I	Headphone detection signal input terminal "H": headphone is connected
25	PW_RY	O	Relay drive signal (for power on/off) output terminal "H": relay on
26	VSS	-	Ground terminal
27	VCC	-	Power supply terminal (+3.3V)
28	TUNER_STEREO	I	FM stereo detection signal input from the tuner unit
29	TUNER_ AUTO_STEP	I	Tuned detection signal input from the tuner unit
30	TUNER_MUTE	O	Muting request control signal output to the tuner unit
31	TUNER_DO	I	Serial data input from the tuner unit
32	TUNER/LIP CLK	O	Serial data transfer clock signal output to the lip sync adjust and tuner unit
33	T/LIP DAT	O	Serial data output to the lip sync adjust and tuner unit
34	T/LAT	O	Serial data latch pulse signal output to the tuner unit
35	NO USE	-	Not used
36 to 39	V.SW1 to V.SW4	O	Serial data latch pulse signal output to the tuner unit
40	CONP_SEL2	O	Relay drive signal (for component video output select) output terminal "H": relay on
41	2ND_RY	O	Relay drive signal (for 2ND ZONE output) output terminal "H": relay on
42	HP_RY	O	Relay drive signal (for PHONES output) output terminal "H": relay on
43	UPCON DATA	O	Serial data output to the chroma decoder
44	VSS	-	Ground terminal
45	BRIGEABLE RY	O	Relay drive signal (for amplifier power on/off) output terminal "H": relay on

Pin No.	Pin Name	I/O	Description
46	FUSE DETECT	I	Fuse detection input terminal "L": fuse is damaged
47, 48	TC74HCT153_A, TC74HCT153_B	O	Signal selection signal output to the input select
49	(GP12)	O	Write signal output to the DSP
50, 51	PAGE0, PAGE1	-	Not used
52	MD2	I	Model destination signal input from the sub system controller
53	MD1	I	Model destination signal input terminal Not used
54	MD0	I	Model destination signal input from the sub system controller
55	RSTX	I	System reset signal input terminal "L": reset
56	VCC	-	Power supply terminal (+3.3V)
57	X1	O	System clock output terminal (16.5 MHz)
58	X0	I	System clock input terminal (16.5 MHz)
59	VSS	-	Ground terminal
60	VOLT_ DETECT_STOP	I	AC off detection signal input terminal
61	NO USE	I	Read data input from the digital audio interface receiver
62	PW_ON/OFF	I	Power key input terminal (A/D input)
63	SIRCS	I	SIRCS signal input terminal
64	V_MUTE	O	Video muting signal output terminal
65	GROUPING_SW	-	Not used
66	CONP_SEL1	O	Relay drive signal (for component video output select) output terminal "H": relay on
67	DIR CE	O	Chip enable signal output to the digital audio interface receiver
68	VCC	-	Power supply terminal (+3.3V)
69	DI	O	Reset signal output terminal
70	D.DO	O	End flag output to the sub system controller
71	ERROR	I	PLL lock error signal and data error flag input from the digital audio interface receiver
72	XRST1	O	System reset signal output to the DSP "L": reset
73	PM1	O	PLL initialize signal output to the DSP
74	9718.GB9	I	Read ready signal input from the DSP
75	9718.BST1	O	Boot strap signal output to the DSP
76	9718.HCS1	O	Chip select signal output to the DSP
77	VCC	-	Power supply terminal (+3.3V)
78	9718.HACN1	I	Acknowledge signal input from the DSP
79	9718.PLL1	I	PLL lock signal input from the DSP
80	DIR_DATAO	I	Audio serial data input from the digital audio interface receiver
81	DIR_XSTATE	I	Source clock selection monitor input from the digital audio interface receiver
82	DIR_XMODE	O	System reset signal output to the digital audio interface receiver
83	DIR_CLSEL1	O	Output clock selection output to the digital audio interface receiver
84	DIR_CLK	O	Clock signal output to the digital audio interface receiver
85	PCM1800 RST	O	System reset signal output to the A/D converter
86	UP_MUTE	O	Video muting signal output to the video amplifier
87	M_MUTE	O	Video muting signal output to the video amplifier
88	PCM1609 ML	O	Serial data latch pulse signal output to the D/A converter
89	PCM1609 MC	O	Serial data transfer clock signal output to the D/A converter
90	PCM1609 MDI	O	Serial data output to the D/A converter
91	PCM1609 MDO	I	Serial data input from the D/A converter

Pin No.	Pin Name	I/O	Description
92	NO USE	O	Read data output from the digital audio interface receiver
93	PCM1609 RST	O	System reset signal output to the D/A converter
94	FLASH_A	-	Not used
95	FLASH_B	-	Not used
96	FLASH_C	-	Not used
97	VCC	-	Power supply terminal (+3.3V)
98	VSS	-	Ground terminal
99	EEPROM.SDA	I/O	Two-way data bus with the EEPROM
100	EEPROM.SCL	O	Serial data transfer clock signal output to the EEPROM
101	VSS	-	Ground terminal
102	9718.HCLK	O	Serial data transfer clock signal output to the DSP
103	HDIN	O	Serial data output to the DSP
104	HDOUT	I	Serial data input from the DSP
105	CLK	O	Serial data transfer clock signal output to the OSD driver
106	DAT	O	Serial data output to the OSD driver
107	LAT	O	Serial data latch pulse signal output to the OSD driver
108	ON/OFF	O	OSD power supply on/off switch signal output terminal
109	SOT1	O	Serial data output to the RS-232C
110	SIN1	I	Serial data input from the RS-232C
111	UPCON_CLK	O	Serial data transfer clock signal output to the chroma decoder
112	DIN/F1	O	Serial data output to the FL driver
113	LAT/F2	O	Serial data latch pulse output to the FL driver
114	CLK	O	Serial data transfer clock signal output to the FL driver
115	DRV.CLR/ BLUE LED	O	Clear signal output to the FL driver
116	VOL_IC.DATA	O	Serial data output to the electrical volume
117	VOL_IC.CLK	O	Serial data transfer clock signal output to the electrical volume
118	NO USE	-	Not used
119	A_D	O	Analog/digital selection signal output terminal
120	SYSTEM_MUTE	O	System muting on/off control signal output terminal "H": muting on
121	BST_SEL	O	Signal selection signal output terminal "L": boot strap signal, "H": L/R sampling clock signal
122	VCC	-	Power supply terminal (+3.3V)
123 to 125	DA2 to DA0	-	Not used
126	DAVS	-	Ground terminal (for D/A converter)
127	DAVC	-	Power supply terminal (+3.3V) (for D/A converter)
128	AVCC	-	Power supply terminal (+3.3V) (for A/D converter)
129	AVRH	-	Reference voltage (+3.3V) input terminal (for A/D converter)
130	AVRL	-	Reference voltage (0V) input terminal (for A/D converter)
131	AVSS	-	Ground terminal (for A/D converter)
132 to 134	AD0 to AD2	I	Front panel key input terminal (A/D input)
135	MODEL	I	Destination setting terminal
136	AREA	I	Destination setting terminal
137 to 139	NO USED	-	Not used
140	VCC2	-	Power supply terminal (+3.3V)
141	BACKUP	-	Power supply terminal (+3.3V) (for back up)
142	X0A	I	Sub system clock input terminal Not used

Pin No.	Pin Name	I/O	Description
143	X1A	O	Sub system clock output terminal Not used
144	VSS	-	Ground terminal

## DIGITAL BOARD IC1501 CXD9718Q (DSP)

Pin No.	Pin Name	I/O	Description
1	VSS	-	Ground terminal
2	XRST	I	System reset signal input from the main system controller "L": reset
3	EXTIN	I	Master clock signal input terminal Not used
4	LRCKI3	I	L/R sampling clock signal (44.1 kHz) input terminal Not used
5	VDDI	-	Power supply terminal (+2.6V)
6	BCKI3	I	Bit clock signal (2.8224 MHz) input terminal Not used
7	PLOCK	O	PLL lock signal output to the system controller
8	VSS	-	Ground terminal
9	MCLK1	I	System clock input terminal (13.9 MHz)
10	VDDI	-	Power supply terminal (+2.6V)
11	VSS	-	Ground terminal
12	MCLK2	O	System clock output terminal (13.9 MHz)
13	MS	I	Master/slave setting terminal "L": internal clock, "H": external clock Fixed at "L" in this set
14	SCKOUT	O	Master clock signal output to the D/A converter and lip sync adjust
15	LRCKI1	I	L/R sampling clock signal (44.1 kHz) input from the digital audio interface receiver
16	VDDE	-	Power supply terminal (+3.3V)
17	BCKI1	I	Bit clock signal (2.8224 MHz) input from the digital audio interface receiver
18	SDI1	I	Audio serial data input from the lip sync adjust
19	LRCKO	O	L/R sampling clock signal (44.1 kHz) output to the D/A converter and lip sync adjust
20	BCKO	O	Bit clock signal (2.8224 MHz) output to the D/A converter and lip sync adjust
21	VSS	-	Ground terminal
22	KFSIO	I	Audio clock signal input from the digital audio interface receiver
23 to 26	SDO1 to SDO4	O	Audio serial data output to the lip sync adjust
27	SPDIF	O	SPDIF signal output terminal Not used
28	LRCKI2	I	L/R sampling clock signal (44.1 kHz) input from the digital audio interface receiver
29	BCKI2	I	Bit clock signal (2.8224 MHz) input from the digital audio interface receiver
30	SDI2	I	Audio serial data input from the digital audio interface receiver
31	VSS	-	Ground terminal
32	HACN	O	Acknowledge signal output to the main system controller
33	HDIN	I	Serial data input from the main system controller
34	HCLK	I	Serial data transfer clock signal input from the main system controller
35	HDOUT	O	Serial data output to the main system controller
36	HCS	I	Chip select input from the main system controller
37	GP12	I	Write signal input from the main system controller
38	GP13	-	SD-RAM chip enable output terminal Not used
39	GP14	-	Row address strobe signal output terminal Not used
40	VDDI	-	Power supply terminal (+2.6V)
41	VSS	-	Ground terminal
42	GP15	O	Column address strobe signal output terminal Not used
43	OE0	O	Output terminal of data input/output mask Not used
44	CS0	O	Chip select signal output to the S-RAM
45	SW0	O	Write enable signal output to the S-RAM
46	VDDE	-	Power supply terminal (+3.3V)
47	WMD1	I	External memory wait mode setting terminal Fixed at "H" in this set

Pin No.	Pin Name	I/O	Description
48	VSS	-	Ground terminal
49	WMD0	I	External memory wait mode setting terminal Fixed at "H" in this set
50	PAGE2	O	External memory page selection signal output terminal Not used
51	VSS	-	Ground terminal
52, 53	PAGE1, PAGE0	O	External memory page selection signal output terminal Not used
54	BOOT	I	Boot mode control signal input terminal Not used
55	TST1	O	Output terminal for the test Not used
56	BST	I	Boot strap signal input terminal
57	MOD1	I	Operation mode setting terminal "L": enhanced mode, "H": normal mode Fixed at "H" in this set
58	MOD0	I	Operation mode setting terminal "L": single chip mode, "H": can not use Fixed at "L" in this set
59	EXLOCK	I	PLL lock error signal and data error flag input from the digital audio interface receiver
60	VDDI	-	Power supply terminal (+2.6V)
61	VSS	-	Ground terminal
62, 63	A17, A16	O	Address signal output terminal Not used
64 to 66	A15 to A13	O	Address signal output to the S-RAM
67	GP10	O	Not used
68	GP9	O	Read ready signal output to the main system controller
69	GP8	I	PCM audio data input from the digital audio interface receiver
70	VDDI	-	Power supply terminal (+2.6V)
71	VSS	-	Ground terminal
72 to 75	D15/GP7 to D12/GP4	I/O	Two-way data bus with the S-RAM
76	VDDE	-	Power supply terminal (+3.3V)
77 to 80	D11/GP3 to D8/GP0	I/O	Two-way data bus with the S-RAM
81	VSS	-	Ground terminal
82 to 85	A9, A12 to A10	O	Address signal output to the S-RAM
86	TDO	O	Simplicity emulation data output terminal Not used
87	TMS	I	Simplicity emulation data input start and end terminal Not used
88	XTRST	I	Simplicity emulation non-sync break signal input terminal Not used
89	TCK	I	Simplicity emulation clock signal input terminal Not used
90	TDI	I	Simplicity emulation data input terminal Not used
91	VSS	-	Ground terminal
92 to 97	A8 to A3	O	Address signal output to the S-RAM
98, 99	D7, D6	I/O	Two-way data bus with the S-RAM
100	VDDI	-	Power supply terminal (+2.6V)
101	VSS	-	Ground terminal
102 to 105	D5 to D2	I/O	Two-way data bus with the S-RAM
106	VDDE	-	Power supply terminal (+3.3V)
107, 108	D1, D0	I/O	Two-way data bus with the S-RAM
109, 110	A2, A1	O	Address signal output to the S-RAM
111	VSS	-	Ground terminal
112	A0	O	Address signal output to the S-RAM
113	PM	I	PLL initialize signal input from the main system controller
114, 115	SDI3, SDI4	I	Audio serial data input terminal Not used

## STR-DA2100ES

Pin No.	Pin Name	I/O	Description
116	SYNC	I	Sync/non-sync setting terminal "L": sync, "H": non-sync Fixed at "H" in this set
117	TST2	O	Output terminal for the test Not used
118	GP11	-	Not used
119	TST3	O	Output terminal for the test Not used
120	VDDI	-	Power supply terminal (+2.6V)



**DIGITAL BOARD IC2048 TMP87CH447U-1F23 (SUB SYSTEM CONTROLLER)**

Pin No.	Pin Name	I/O	Description
1	STAT0	O	M-BUS status output terminal Not used
2	CARRIER-OUT	O	SIRCS signal on/off control signal output terminal Not used
3	FLASH	-	Not used
4	MBUS	-	Not used
5	CTRL-LATCH	I	Serial data latch pulse signal input terminal Not used
6, 7	-	-	Not used
8	SIRSTS	-	Not used
9	-	-	Not used
10	SIRCS-INPUT	I	SIRCS signal input terminal Not used
11	A1-OUT	O	SIRCS signal output terminal Not used
12	A1-IN	I	SIRCS signal input terminal Not used
13	GND	-	Ground terminal
14	RESET	I	System reset signal input from the reset signal generator "L": reset For several hundreds msec. after the power supply rises, "L" is input, then it changes to "H"
15	XIN	I	System clock input terminal (7.28 MHz)
16	XOUT	O	System clock output terminal (7.28 MHz)
17	GND	-	Ground terminal
18	VDD	-	Power supply terminal (+5V)
19	RESETC	O	Reset signal output to the main system controller
20	RESETN	-	Not used
21	OUTH1	-	Not used
22	OUTLO1	-	Not used
23	OUTH2	O	Model destination signal output to the main system controller
24	OUTLO2	O	Model destination signal output to the main system controller
25	ENDFLG	I	End flag input from the main system controller
26	UARTIN	I	Serial data input from the RS232C
27 to 32	-	-	Not used
33	SIRCS-OUT	O	SIRCS signal output terminal Not used
34 to 36	-	-	Not used
37	MBUS_TV	-	Not used
38	MBUS_V2	-	Not used
39	MBUS_V1	-	Not used
40	VDD	-	Power supply terminal (+5V)
41 to 44	STAT4 to STAT1	O	M-BUS status output terminal Not used

## A/V SYNC BOARD IC2010 CXD9722TQ (LIP SYNC ADJUST)

Pin No.	Pin Name	I/O	Description
1 to 5	D1 to D5	I/O	Two-way data bus with the SD-RAM
6	VDD	-	Power supply terminal (+3.3V)
7, 8	D6, D7	I/O	Two-way data bus with the SD-RAM
9	VSS	-	Ground terminal
10	WE	O	Write enable signal output to the SD-RAM
11	CAS	O	Column address strobe signal output to the SD-RAM
12	RAS	O	Row address strobe signal output to the SD-RAM
13	CS	O	Chip select signal output to the SD-RAM
14	CLK	O	Clock signal output to the SD-RAM
15	CKE	O	Clock enable signal output to the SD-RAM
16	VDD	-	Power supply terminal (+3.3V)
17 to 22	A11, A10, A0 to A3	O	Address signal output to the SD-RAM
23	VSS	-	Ground terminal
24 to 29	A9 to A4	O	Address signal output to the SD-RAM
30	VSS	-	Ground terminal
31	DRSO	O	Surround R-ch data output terminal Not used
32	DLSO	O	Surround L-ch data output terminal Not used
33	DEXRO	-	Not used
34	DLFEO	O	Sub woofer data output terminal Not used
35	DCO	O	Center data output terminal Not used
36	VDD	-	Power supply terminal (+3.3V)
37	DRO	O	Front R-ch data output terminal Not used
38	DLO	O	Front L-ch data output terminal Not used
39	VSS	-	Ground terminal
40	DMRO	O	Data output terminal for R-ch down mix Not used
41	DMLO	O	Data output terminal for L-ch down mix Not used
42	VSS	-	Ground terminal
43	VDD	-	Power supply terminal (+3.3V)
44	DLDRO	O	Surround back audio data output to the D/A converter
45	CSWO	O	Center and sub woofer audio data output to the D/A converter
46	SLSRO	O	Surround audio data output to the D/A converter
47	FLFRO	O	Front audio data output to the D/A converter
48	VSS	-	Ground terminal
49	SPDIFO	O	Digital audio data output terminal Not used
50	TEST1	I	Input terminal for the test
51	TRST	I	Reset signal input from terminal Not used
52	TMS	I	Mode selection signal input terminal Not used
53	TCK	I	Clock signal input terminal Not used
54	TDI	I	Serial data signal input terminal Not used
55	TDO	O	Serial data signal output terminal Not used
56	TEST2	I	Input terminal for the test
57	SPDIFI	I	Digital audio data input terminal Not used
58	VSS	-	Ground terminal
59	LRCKI	I	L/R sampling clock signal (44.1 kHz) input from the DSP
60	BCKI	I	Bit clock signal (2.8224 MHz) input from the DSP

Pin No.	Pin Name	I/O	Description
61	VDD	-	Power supply terminal (+3.3V)
62	VSS	-	Ground terminal
63	DLDRI	I	Surround back audio data input from the DSP
64	CSWI	I	Center and sub woofer audio data input from the DSP
65	SLSRI	I	Surround audio data input from the DSP
66	FLFRI	I	Front audio data input from the DSP
67	TEST3	I	Input terminal for the test
68	CLK512	I	Master clock signal input from the DSP
69	VSS	-	Ground terminal
70	XRST	I	Reset signal input terminal "L": reset
71	VDD	-	Power supply terminal (+3.3V)
72	SCLK	I	Serial clock signal input from the main system controller
73	XCS	I	Chip select signal input from the main system controller
74	SI	I	Serial data input from the main system controller
75	SO	O	Serial data output to the main system controller
76	DEXRI	-	Not used
77	DMLI	I	Data input terminal for L-ch down mix Not used
78	DMRI	I	Data input terminal for R-ch down mix Not used
79	VSS	-	Ground terminal
80	PHRI	I	Clock signal input terminal Not used
81	BCKAI	I	Bit clock signal (2.8224 MHz) input terminal Not used
82	DQM	-	Not used
83	DLI	I	Front L-ch data input terminal Not used
84	DRI	I	Front R-ch data input terminal Not used
85	DCI	I	Center data input terminal Not used
86	DLFEI	I	Sub woofer data input terminal Not used
87	DLSI	I	Surround L-ch data input terminal Not used
88	DRSI	I	Surround R-ch data input terminal Not used
89	VSS	-	Ground terminal
90 to 95	D15 to D10	I/O	Two-way data bus with the SD-RAM
96	VDD	-	Power supply terminal (+3.3V)
97, 98	D9, D8	I/O	Two-way data bus with the SD-RAM
99	GND	-	Ground terminal
100	D0	I/O	Two-way data bus with the SD-RAM

**SECTION 7  
EXPLODED VIEWS**

**NOTE:**

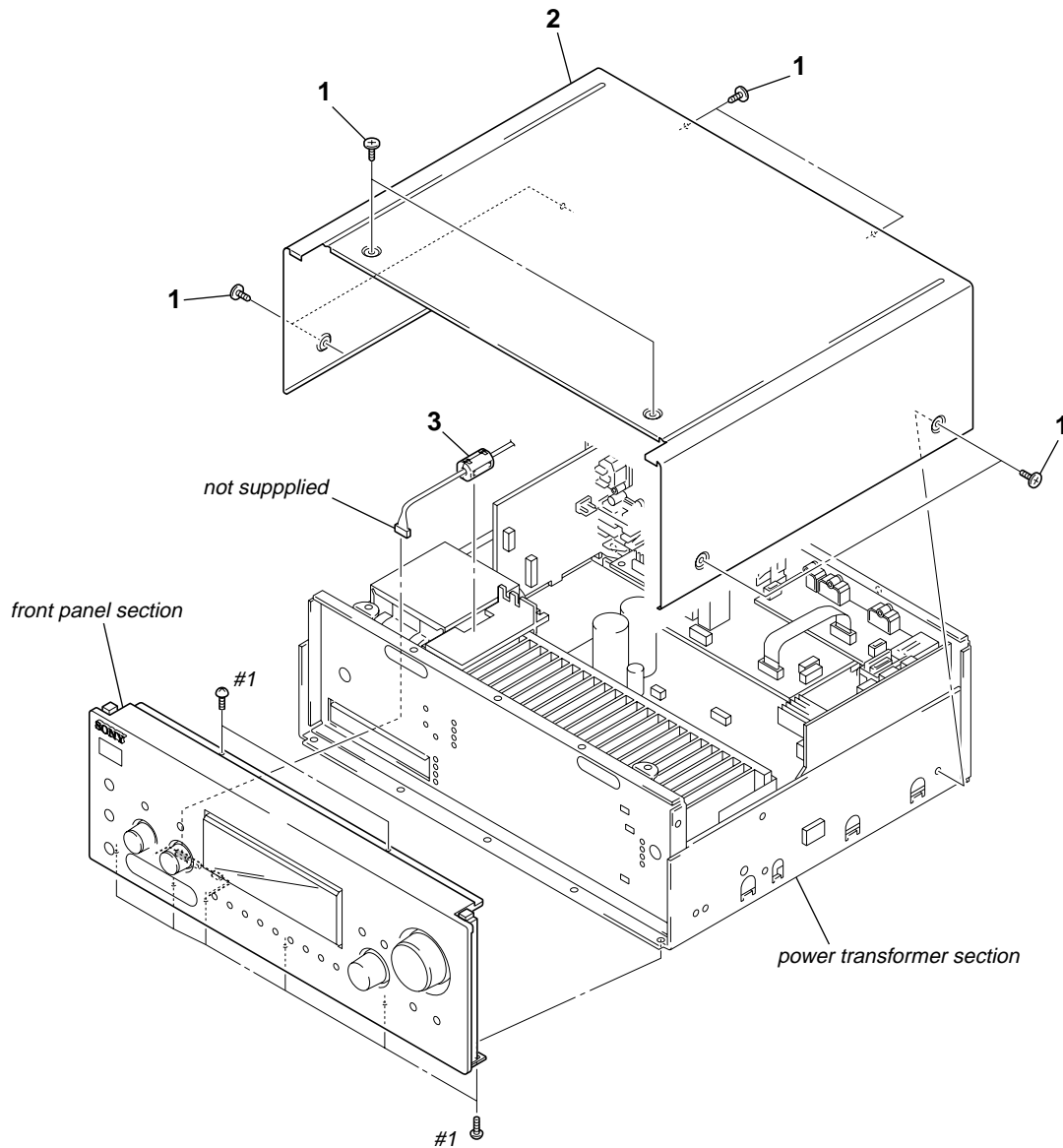
- -XX and -X mean standardized parts, so they may have some difference from the original one.
- Color Indication of Appearance Parts  
Example:  
KNOB, BALANCE (WHITE) . . . (RED)  
                                  ↑                                  ↑  
                                  Parts Color Cabinet's Color
- Abbreviation  
CND : Canadian model

- Items marked “\*” are not stocked since they are seldom required for routine service. Some delay should be anticipated when ordering these items.
- The mechanical parts with no reference number in the exploded views are not supplied.
- Accessories are given in the last of the electrical parts list.

The components identified by mark  $\triangle$  or dotted line with mark  $\triangle$  are critical for safety.  
Replace only with part number specified.

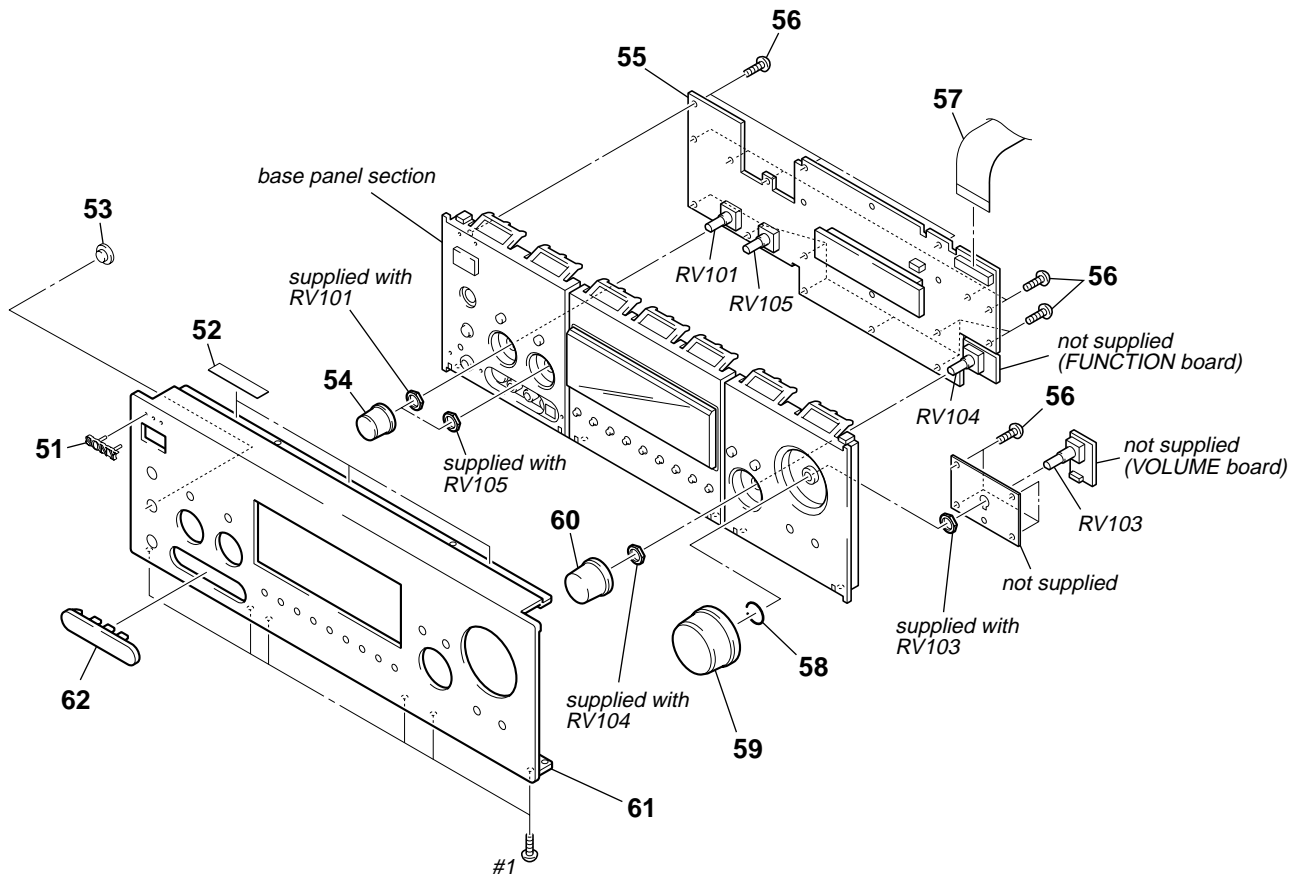
Les composants identifiés par une marque  $\triangle$  sont critiques pour la sécurité.  
Ne les remplacer que par une pièce portant le numéro spécifié.

**7-1. OVERALL SECTION**



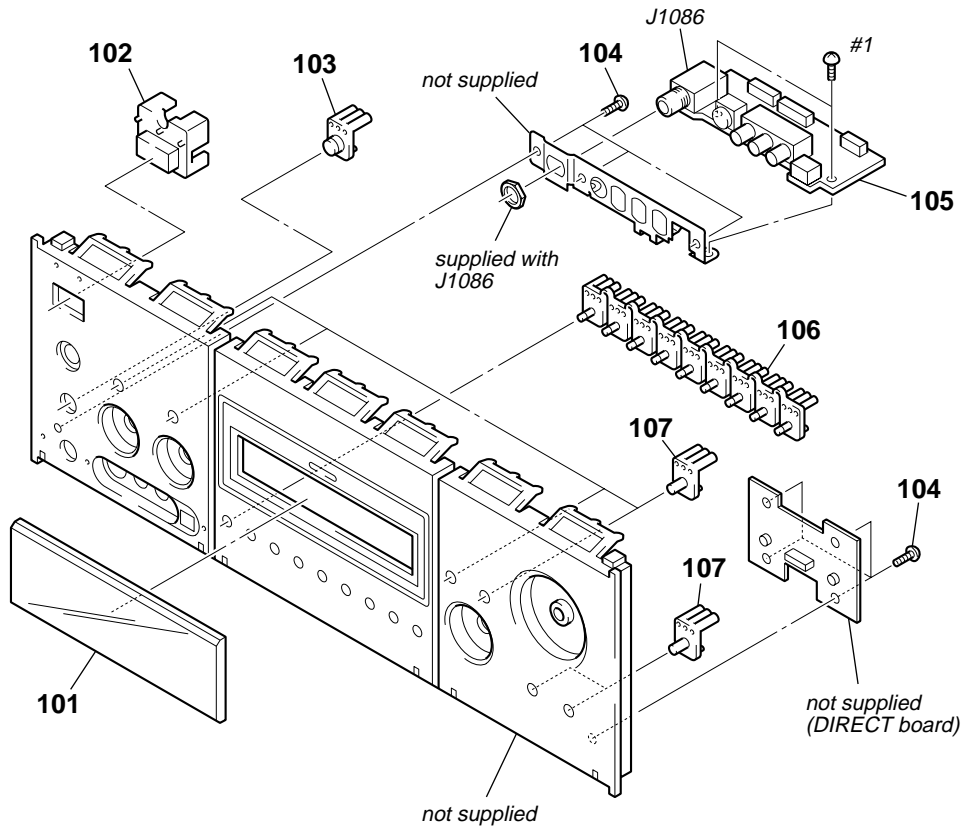
Ref. No.	Part No.	Description	Remark	Ref. No.	Part No.	Description	Remark
1	4-227-843-03	SCREW (TP), FLAT HEAD (for BLACK) (US)		2	4-900-512-02	CASE (414535) (BLACK) (US)	
1	4-227-843-31	SCREW (TP), FLAT HEAD (for SILVER)	(US, CND)	3	1-469-089-11	FILTER, CLAMP (FERRITE CORE)	
2	4-248-594-41	CASE (414535) (SILVER) (US, CND)		#1	7-685-646-79	SCREW +BVTP 3X8 TYPE2 IT-3	

7-2. FRONT PANEL SECTION



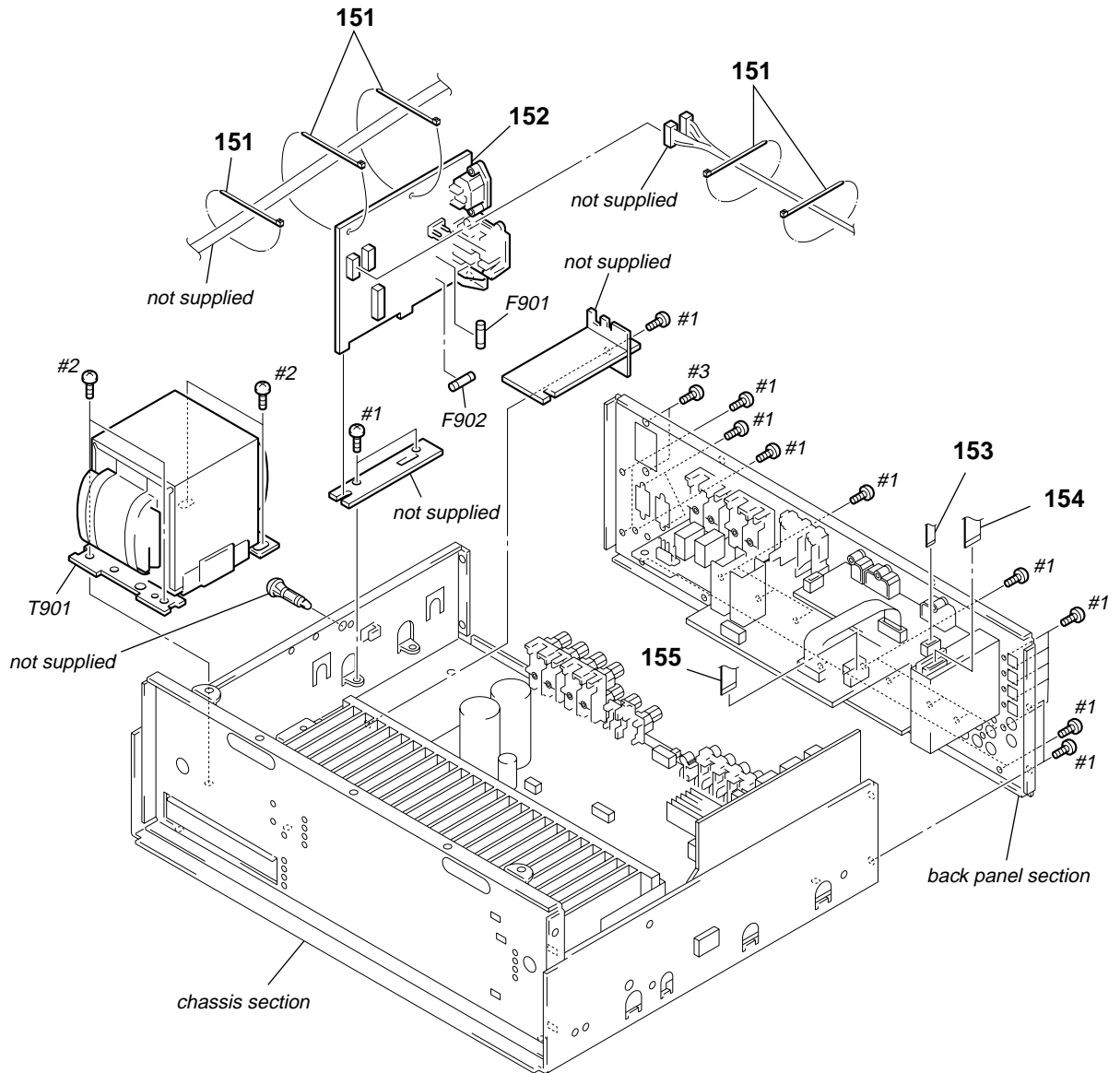
Ref. No.	Part No.	Description	Remark	Ref. No.	Part No.	Description	Remark
51	4-240-858-01	EMBLEM (5-A), SONY (for BLACK) (US)		60	4-232-569-02	KNOB (FN DE9) (BLACK) (US)	
51	4-240-858-21	EMBLEM (5-A), SONY (for SILVER) (US, CND)		60	4-232-569-22	KNOB (FN DE9) (SILVER) (US, CND)	
52	4-860-518-00	CUSHION		61	2-050-931-51	FRONT PANEL (AL DB795) (SILVER) (US, CND)	
53	X-4953-000-1	WINDOW ASSY, REMOTE CONTROL		61	2-050-931-61	FRONT PANEL (AL DB795) (BLACK) (US)	
54	4-245-437-01	KNOB (MENU) (BLACK) (US)		62	4-246-705-01	LID (BLACK)	
54	4-245-437-31	KNOB (MENU) (SILVER) (US, CND)		62	4-246-705-11	LID (SILVER)	
55	A-1095-102-A	DISPLAY BOARD, COMPLETE		RV101	1-467-808-21	ENCODER, ROTARY (MENU)	
56	3-087-053-01	+BVTP2.6 (3CR)		RV103	1-418-725-41	ENCODER, ROTARY (12 TYPE)	(MASTER VOLUME)
57	1-829-054-11	WIRE (FLAT TYPE) (29 CORE)		RV104	1-467-808-21	ENCODER, ROTARY (INPUT SELECTOR)	
58	3-350-426-01	SPRING, RING		RV105	1-467-808-21	ENCODER, ROTARY (-/+)	
59	X-4953-670-1	KNOB (VOL-E) ASSY (BLACK) (US)		#1	7-685-646-79	SCREW +BVTP 3X8 TYPE2 IT-3	
59	X-4953-672-1	KNOB (VOL-E) ASSY (SILVER) (US, CND)					

7-3. BASE PANEL SECTION



Ref. No.	Part No.	Description	Remark	Ref. No.	Part No.	Description	Remark
101	4-245-438-41	PLATE, INDICATION (for SILVER) (US, CND)		105	A-1095-106-A	HPV3 BOARD, COMPLETE	
101	4-245-438-71	PLATE, INDICATION (for BLACK) (US)		106	4-245-435-02	BUTTON (MODE)	
102	4-998-592-01	BUTTON (POWER) (BLACK) (US)		107	4-245-436-01	BUTTON (MENU) (BLACK) (US)	
102	4-998-592-41	BUTTON (POWER) (SILVER) (US, CND)		107	4-245-436-41	BUTTON (MENU) (SILVER) (US, CND)	
103	4-245-434-01	BUTTON (SP) (BLACK) (US)		J1086	1-815-313-21	JACK (PHONES)	
103	4-245-434-41	BUTTON (SP) (SILVER) (US, CND)		#1	7-685-646-79	SCREW +BVTP 3X8 TYPE2 IT-3	
104	3-087-053-01	+BVTP2.6 (3CR)					

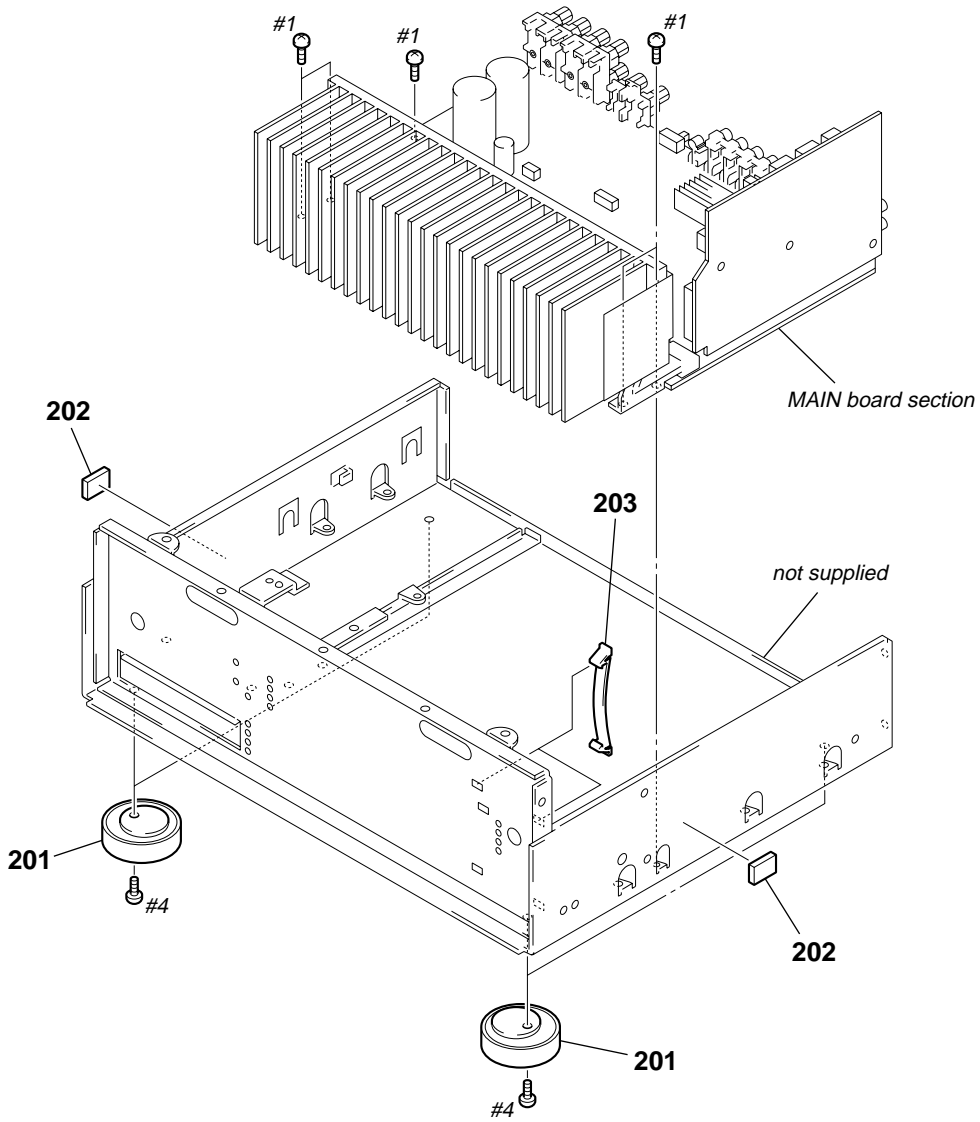
7-4. POWER TRANSFORMER SECTION



Ref. No.	Part No.	Description	Remark	Ref. No.	Part No.	Description	Remark
151	3-701-748-00	CLAMP		△ F902	1-533-453-12	FUSE, GLASS TUBE (DIA. 5) (5A/125V)	
152	A-1095-108-A	STANDBY BOARD, COMPLETE		△ T901	1-443-592-11	POWER TRANSFORMER	
153	1-828-933-11	WIRE (FLAT TYPE) (5 CORE)		#1	7-685-646-79	SCREW +BVTP 3X8 TYPE2 IT-3	
154	1-828-962-11	WIRE (FLAT TYPE) (11 CORE)		#2	7-685-881-09	SCREW +BVTT 4X8 (S)	
155	1-828-964-11	WIRE (FLAT TYPE) (11 CORE)		#3	7-685-659-79	SCREW +BVTP 4X8 TYPE2 IT-3	
△ F901	1-533-312-12	FUSE, GLASS CYLINDRICAL (DIA.5)	(10A/125V)				

# STR-DA2100ES

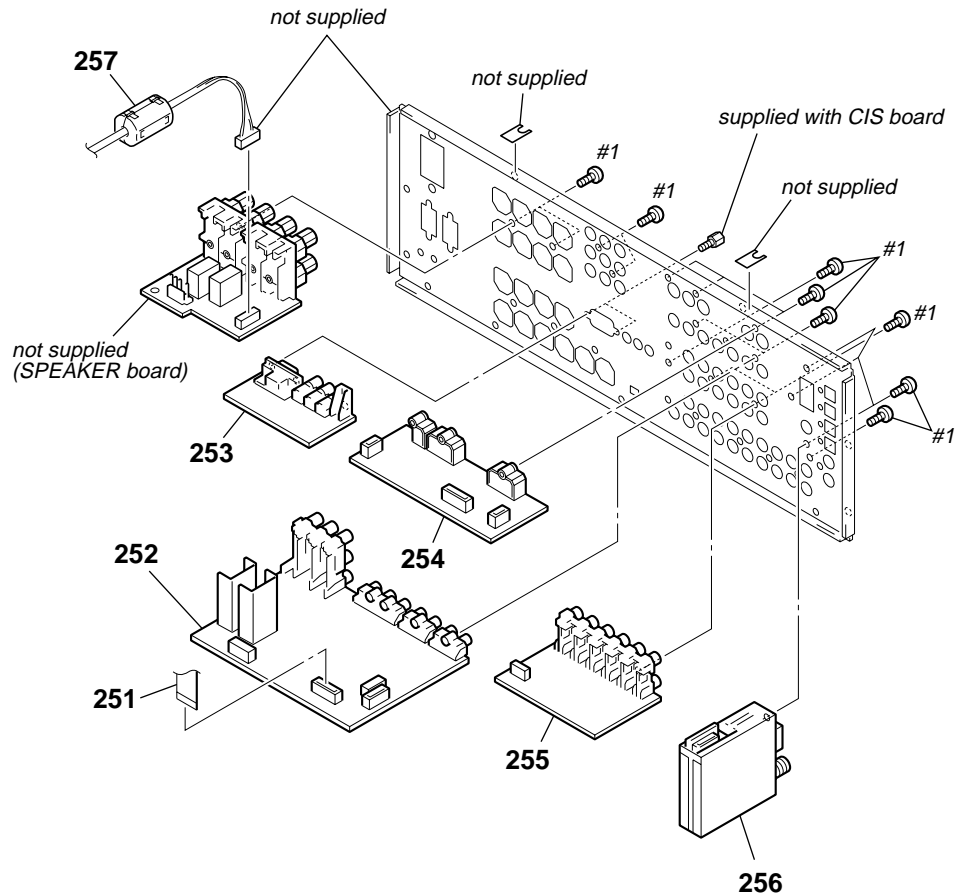
## 7-5. CHASSIS SECTION



Ref. No.	Part No.	Description	Remark	Ref. No.	Part No.	Description	Remark
201	X-4955-348-1	FOOT ASSY		#1	7-685-646-79	SCREW +BVTP 3X8 TYPE2 IT-3	
202	4-985-642-01	CUSHION		#4	7-685-885-09	SCREW +BVTT 4X16 (S)	
203	3-064-084-01	CLAMP (FCR-60), FLAT					

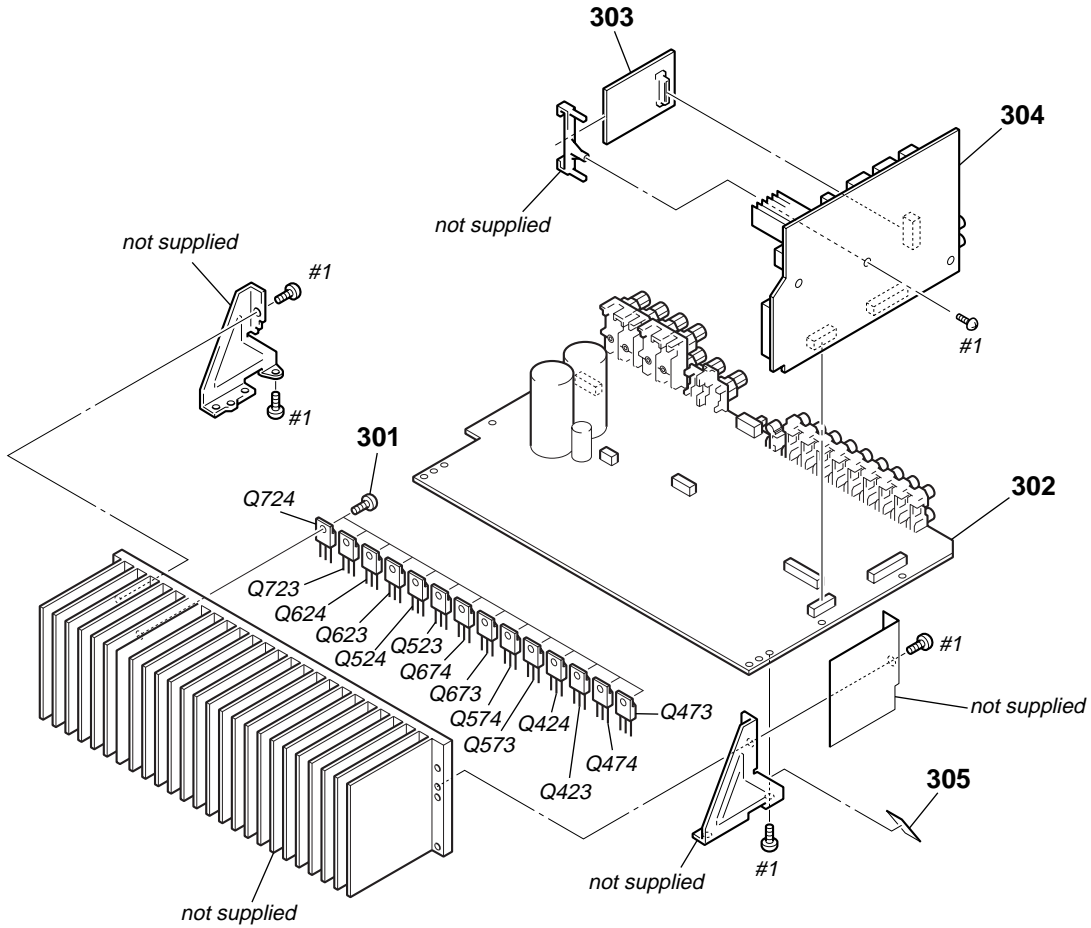


7-6. BACK PANEL SECTION



Ref. No.	Part No.	Description	Remark	Ref. No.	Part No.	Description	Remark
251	1-828-971-11	WIRE (FLAT TYPE) (13 CORE)		256	1-693-675-11	TUNER UNIT	
252	A-1095-071-A	VIDEO BOARD, COMPLETE		257	1-469-089-11	FILTER, CLAMP (FERRITE CORE)	
253	A-1095-109-A	CIS BOARD, COMPLETE		#1	7-685-646-79	SCREW +BVTP 3X8 TYPE2 IT-3	
254	A-1095-074-A	SVIDEO BOARD, COMPLETE					
255	A-1095-075-A	VIDEO (AU) BOARD, COMPLETE					

7-7. MAIN BOARD SECTION



Ref. No.	Part No.	Description	Remark	Ref. No.	Part No.	Description	Remark
301	3-905-609-01	SCREW (TRANSISTOR)		Q524	8-729-051-93	TRANSISTOR	2SB1647
302	A-1095-097-A	MAIN BOARD, COMPLETE		Q573	8-729-051-92	TRANSISTOR	2SD2560
303	A-1093-300-A	A/V SYNC BOARD, COMPLETE		Q574	8-729-051-93	TRANSISTOR	2SB1647
304	A-1095-099-A	DIGITAL BOARD, COMPLETE		Q623	8-729-051-92	TRANSISTOR	2SD2560
305	4-860-518-00	CUSHION		Q624	8-729-051-93	TRANSISTOR	2SB1647
Q423	8-729-051-92	TRANSISTOR	2SD2560	Q673	8-729-051-92	TRANSISTOR	2SD2560
Q424	8-729-051-93	TRANSISTOR	2SB1647	Q674	8-729-051-93	TRANSISTOR	2SB1647
Q473	8-729-051-92	TRANSISTOR	2SD2560	Q723	8-729-051-92	TRANSISTOR	2SD2560
Q474	8-729-051-93	TRANSISTOR	2SB1647	Q724	8-729-051-93	TRANSISTOR	2SB1647
Q523	8-729-051-92	TRANSISTOR	2SD2560	#1	7-685-646-79	SCREW +BVTP 3X8 TYPE2 IT-3	

## SECTION 8 ELECTRICAL PARTS LIST

A/V SYNC    CIS

**NOTE:**

- Due to standardization, replacements in the parts list may be different from the parts specified in the diagrams or the components used on the set.
- -XX and -X mean standardized parts, so they may have some difference from the original one.
- RESISTORS  
All resistors are in ohms.  
METAL: Metal-film resistor.  
METAL OXIDE: Metal oxide-film resistor.  
F: nonflammable

- Items marked “\*” are not stocked since they are seldom required for routine service. Some delay should be anticipated when ordering these items.
- SEMICONDUCTORS  
In each case, u:  $\mu$ , for example:  
uA... :  $\mu$ A...      uPA... :  $\mu$ PA...  
uPB... :  $\mu$ PB...    uPC... :  $\mu$ PC...  
uPD... :  $\mu$ PD...
- CAPACITORS  
uF:  $\mu$ F
- COILS  
uH:  $\mu$ H

The components identified by mark  $\Delta$  or dotted line with mark  $\Delta$  are critical for safety.  
Replace only with part number specified.

Les composants identifiés par une marque  $\Delta$  sont critiques pour la sécurité.  
Ne les remplacer que par une pièce portant le numéro spécifié.

When indicating parts by reference number, please include the board.

Ref. No.	Part No.	Description	Remark	Ref. No.	Part No.	Description	Remark
	A-1093-300-A	A/V SYNC BOARD, COMPLETE *****		R2014	1-216-809-11	METAL CHIP    100    5%	1/10W
		< CAPACITOR >		R2021	1-216-809-11	METAL CHIP    100    5%	1/10W
C2002	1-107-826-11	CERAMIC CHIP    0.1uF    10%	16V	R2022	1-216-809-11	METAL CHIP    100    5%	1/10W
C2003	1-162-970-11	CERAMIC CHIP    0.01uF    10%	25V	R2023	1-216-809-11	METAL CHIP    100    5%	1/10W
C2004	1-107-826-11	CERAMIC CHIP    0.1uF    10%	16V	R2024	1-216-809-11	METAL CHIP    100    5%	1/10W
C2007	1-107-826-11	CERAMIC CHIP    0.1uF    10%	16V	R2025	1-216-809-11	METAL CHIP    100    5%	1/10W
C2008	1-107-826-11	CERAMIC CHIP    0.1uF    10%	16V	R2026	1-216-809-11	METAL CHIP    100    5%	1/10W
C2009	1-107-826-11	CERAMIC CHIP    0.1uF    10%	16V	R2027	1-216-809-11	METAL CHIP    100    5%	1/10W
C2010	1-107-826-11	CERAMIC CHIP    0.1uF    10%	16V	R2028	1-216-809-11	METAL CHIP    100    5%	1/10W
C2011	1-107-826-11	CERAMIC CHIP    0.1uF    10%	16V	R2031	1-216-809-11	METAL CHIP    100    5%	1/10W
C2021	1-107-826-11	CERAMIC CHIP    0.1uF    10%	16V	R2032	1-216-809-11	METAL CHIP    100    5%	1/10W
C2022	1-107-826-11	CERAMIC CHIP    0.1uF    10%	16V	R2033	1-216-809-11	METAL CHIP    100    5%	1/10W
C2023	1-107-826-11	CERAMIC CHIP    0.1uF    10%	16V	R2034	1-216-809-11	METAL CHIP    100    5%	1/10W
C2024	1-107-826-11	CERAMIC CHIP    0.1uF    10%	16V	R2035	1-216-809-11	METAL CHIP    100    5%	1/10W
C2025	1-107-826-11	CERAMIC CHIP    0.1uF    10%	16V	R2036	1-216-809-11	METAL CHIP    100    5%	1/10W
C2026	1-107-826-11	CERAMIC CHIP    0.1uF    10%	16V	R2037	1-216-809-11	METAL CHIP    100    5%	1/10W
C2050	1-117-681-11	ELECT CHIP    100uF    20%	16V	R2038	1-216-809-11	METAL CHIP    100    5%	1/10W
		< CONNECTOR >		R2041	1-216-864-11	SHORT CHIP    0	
CN2001	1-819-185-11	CONNECTOR (B TO B REC) 30P		R2042	1-216-864-11	SHORT CHIP    0	
		< FERRITE BEAD >		R2043	1-216-864-11	SHORT CHIP    0	
FB2001	1-400-862-11	BEAD, FERRITE		R2044	1-216-864-11	SHORT CHIP    0	
FB2002	1-400-862-11	BEAD, FERRITE		R2045	1-216-864-11	SHORT CHIP    0	
FB2003	1-400-862-11	BEAD, FERRITE		R2046	1-216-864-11	SHORT CHIP    0	
		< IC >		R2047	1-216-864-11	SHORT CHIP    0	
IC2010	6-702-288-01	IC CXD9722TQ		R2048	1-216-864-11	SHORT CHIP    0	
IC2050	6-703-791-01	IC MSM56V16160F-8T3FM1		R2049	1-216-864-11	SHORT CHIP    0	
		< RESISTOR >		R2050	1-216-864-11	SHORT CHIP    0	
R2001	1-216-864-11	SHORT CHIP    0		R2051	1-216-864-11	SHORT CHIP    0	
R2002	1-216-809-11	METAL CHIP    100    5%	1/10W	R2052	1-216-864-11	SHORT CHIP    0	
R2003	1-216-809-11	METAL CHIP    100    5%	1/10W	R2053	1-216-864-11	SHORT CHIP    0	
R2004	1-216-821-11	METAL CHIP    1K    5%	1/10W	R2054	1-216-864-11	SHORT CHIP    0	
R2005	1-216-809-11	METAL CHIP    100    5%	1/10W	R2055	1-216-864-11	SHORT CHIP    0	
R2006	1-216-809-11	METAL CHIP    100    5%	1/10W	R2056	1-216-864-11	SHORT CHIP    0	
R2007	1-216-833-11	METAL CHIP    10K    5%	1/10W	*****			
R2011	1-216-809-11	METAL CHIP    100    5%	1/10W	A-1095-109-A	CIS BOARD, COMPLETE *****		
R2012	1-216-809-11	METAL CHIP    100    5%	1/10W		< CAPACITOR/JUMPER RESISTOR >		
R2013	1-216-809-11	METAL CHIP    100    5%	1/10W	C801	1-126-947-11	ELECT    47uF    20%	35V
				C802	1-107-826-11	CERAMIC CHIP    0.1uF    10%	16V
				C803	1-126-961-11	ELECT    2.2uF    20%	50V
				C805	1-126-767-11	ELECT    1000uF    20%	16V
				C806	1-107-826-11	CERAMIC CHIP    0.1uF    10%	16V

# STR-DA2100ES

**CIS** **DIGITAL**

Ref. No.	Part No.	Description	Remark	Ref. No.	Part No.	Description	Remark
C840	1-216-864-11	SHORT CHIP	0	A-1095-099-A	DIGITAL BOARD, COMPLETE		
C841	1-126-960-11	ELECT	1uF 20%		*****		
C871	1-216-864-11	SHORT CHIP	0				
C872	1-107-826-11	CERAMIC CHIP	0.1uF 10%	7-685-646-79	SCREW +BVTP 3X8 TYPE2 IT-3		
C873	1-107-826-11	CERAMIC CHIP	0.1uF 10%		< CAPACITOR >		
C874	1-107-826-11	CERAMIC CHIP	0.1uF 10%				
C875	1-107-826-11	CERAMIC CHIP	0.1uF 10%	C1001	1-112-080-11	ELECT 470uF 20%	10V
C876	1-107-826-11	CERAMIC CHIP	0.1uF 10%	C1002	1-100-566-91	CERAMIC CHIP 0.1uF 10%	25V
C877	1-126-947-11	ELECT	47uF 20%	C1004	1-164-156-11	CERAMIC CHIP 0.1uF	25V
		< CONNECTOR >		C1005	1-162-970-11	CERAMIC CHIP 0.01uF 10%	25V
CN801	1-784-923-11	PIN, CONNECTOR 7P		C1006	1-162-970-11	CERAMIC CHIP 0.01uF 10%	25V
		< DIODE >		C1011	1-100-566-91	CERAMIC CHIP 0.1uF 10%	25V
D801	8-719-988-61	DIODE 1SS355TE-17		C1012	1-126-935-11	ELECT 470uF 20%	16V
D802	8-719-075-86	LED SID307BRTP19		C1021	1-100-566-91	CERAMIC CHIP 0.1uF 10%	25V
		(REMOTE CONTROL TRANSCEIVER)		C1022	1-126-935-11	ELECT 470uF 20%	16V
D803	8-719-988-61	DIODE 1SS355TE-17		C1031	1-100-566-91	CERAMIC CHIP 0.1uF 10%	25V
		< FERRITE BEAD >		C1032	1-112-080-11	ELECT 470uF 20%	10V
FB871	1-414-235-22	INDUCTOR, FERRITE BEAD		C1097	1-100-566-91	CERAMIC CHIP 0.1uF 10%	25V
		< IC >		C1099	1-164-156-11	CERAMIC CHIP 0.1uF	25V
IC801	8-759-826-32	IC NJL72H400A		C1100	1-164-156-11	CERAMIC CHIP 0.1uF	25V
IC802	8-759-564-49	IC TC7W53FU (TE12R)		C1101	1-164-156-11	CERAMIC CHIP 0.1uF	25V
IC871	6-705-514-01	IC MAX3222IPWR		C1102	1-164-156-11	CERAMIC CHIP 0.1uF	25V
		< JACK >		C1103	1-126-947-11	ELECT 47uF 20%	35V
J801	1-563-330-31	JACK (IR REMOTE IR OUT)		C1104	1-164-156-11	CERAMIC CHIP 0.1uF	25V
J802	1-563-330-31	JACK (IR REMOTE IR IN)		C1105	1-164-156-11	CERAMIC CHIP 0.1uF	25V
J841	1-563-330-31	JACK (TRIGGER OUT)		C1106	1-164-156-11	CERAMIC CHIP 0.1uF	25V
J871	1-815-737-11	CONNECTOR, (D) SUB 9P (RS232C)		C1107	1-164-156-11	CERAMIC CHIP 0.1uF	25V
		< TRANSISTOR >		C1108	1-164-156-11	CERAMIC CHIP 0.1uF	25V
Q841	8-729-140-93	TRANSISTOR 2SB733-34		C1109	1-164-156-11	CERAMIC CHIP 0.1uF	25V
Q842	8-729-027-43	TRANSISTOR DTC114EKA-T146		C1110	1-164-156-11	CERAMIC CHIP 0.1uF	25V
		< RESISTOR >		C1119	1-164-156-11	CERAMIC CHIP 0.1uF	25V
R801	1-216-833-11	METAL CHIP 10K 5%	1/10W	C1120	1-164-156-11	CERAMIC CHIP 0.1uF	25V
R802	1-216-797-11	METAL CHIP 10 5%	1/10W	C1121	1-164-156-11	CERAMIC CHIP 0.1uF	25V
R803	1-216-845-11	METAL CHIP 100K 5%	1/10W	C1122	1-164-156-11	CERAMIC CHIP 0.1uF	25V
R804	1-216-833-11	METAL CHIP 10K 5%	1/10W	C1123	1-164-156-11	CERAMIC CHIP 0.1uF	25V
R805	1-216-845-11	METAL CHIP 100K 5%	1/10W	C1124	1-164-156-11	CERAMIC CHIP 0.1uF	25V
R806	1-216-809-11	METAL CHIP 100 5%	1/10W	C1126	1-164-816-11	CERAMIC CHIP 220PF 2%	50V
R807	1-216-809-11	METAL CHIP 100 5%	1/10W	C1127	1-164-156-11	CERAMIC CHIP 0.1uF	25V
R842	1-216-833-11	METAL CHIP 10K 5%	1/10W	C1129	1-162-974-11	CERAMIC CHIP 0.01uF	50V
R843	1-216-821-11	METAL CHIP 1K 5%	1/10W	C1130	1-162-974-11	CERAMIC CHIP 0.01uF	50V
R844	1-216-833-11	METAL CHIP 10K 5%	1/10W	C1131	1-162-974-11	CERAMIC CHIP 0.01uF	50V
R845	1-216-809-11	METAL CHIP 100 5%	1/10W	C1132	1-162-974-11	CERAMIC CHIP 0.01uF	50V
R846	1-216-821-11	METAL CHIP 1K 5%	1/10W	C1133	1-162-974-11	CERAMIC CHIP 0.01uF	50V
R871	1-216-809-11	METAL CHIP 100 5%	1/10W	C1134	1-162-974-11	CERAMIC CHIP 0.01uF	50V
R872	1-216-809-11	METAL CHIP 100 5%	1/10W	C1135	1-162-974-11	CERAMIC CHIP 0.01uF	50V
		< THERMISTOR (POSITIVE) >		C1136	1-162-974-11	CERAMIC CHIP 0.01uF	50V
THP841	1-801-726-11	THERMISTOR, POSITIVE		C1139	1-164-156-11	CERAMIC CHIP 0.1uF	25V
*****				C1140	1-164-156-11	CERAMIC CHIP 0.1uF	25V
				C1141	1-164-156-11	CERAMIC CHIP 0.1uF	25V
				C1142	1-164-156-11	CERAMIC CHIP 0.1uF	25V
				C1217	1-162-966-11	CERAMIC CHIP 0.0022uF 10%	50V
				C1227	1-162-966-11	CERAMIC CHIP 0.0022uF 10%	50V
				C1237	1-162-966-11	CERAMIC CHIP 0.0022uF 10%	50V
				C1247	1-162-966-11	CERAMIC CHIP 0.0022uF 10%	50V
				C1251	1-164-156-11	CERAMIC CHIP 0.1uF	25V
				C1252	1-164-156-11	CERAMIC CHIP 0.1uF	25V
				C1253	1-164-156-11	CERAMIC CHIP 0.1uF	25V
				C1254	1-164-816-11	CERAMIC CHIP 220PF 2%	50V

Ref. No.	Part No.	Description			Remark	Ref. No.	Part No.	Description			Remark
C1255	1-164-816-11	CERAMIC CHIP	220PF	2%	50V						
C1256	1-164-816-11	CERAMIC CHIP	220PF	2%	50V	C1448	1-112-100-11	ELECT	10uF	20%	50V
C1257	1-162-966-11	CERAMIC CHIP	0.0022uF	10%	50V	C1450	1-164-156-11	CERAMIC CHIP	0.1uF		25V
						C1451	1-162-961-11	CERAMIC CHIP	330PF	10%	50V
C1267	1-162-966-11	CERAMIC CHIP	0.0022uF	10%	50V	C1453	1-162-963-11	CERAMIC CHIP	680PF	10%	50V
C1277	1-162-966-11	CERAMIC CHIP	0.0022uF	10%	50V	C1454	1-164-156-11	CERAMIC CHIP	0.1uF		25V
C1287	1-162-966-11	CERAMIC CHIP	0.0022uF	10%	50V						
C1301	1-164-156-11	CERAMIC CHIP	0.1uF		25V	C1457	1-112-100-11	ELECT	10uF	20%	50V
C1302	1-162-974-11	CERAMIC CHIP	0.01uF		50V	C1458	1-112-100-11	ELECT	10uF	20%	50V
						C1459	1-164-156-11	CERAMIC CHIP	0.1uF		25V
C1303	1-164-156-11	CERAMIC CHIP	0.1uF		25V	C1460	1-112-100-11	ELECT	10uF	20%	50V
C1304	1-162-974-11	CERAMIC CHIP	0.01uF		50V	C1461	1-162-961-11	CERAMIC CHIP	330PF	10%	50V
C1305	1-164-156-11	CERAMIC CHIP	0.1uF		25V						
C1306	1-126-947-11	ELECT	47uF	20%	35V	C1463	1-162-963-11	CERAMIC CHIP	680PF	10%	50V
C1308	1-164-156-11	CERAMIC CHIP	0.1uF		25V	C1468	1-112-100-11	ELECT	10uF	20%	50V
						C1471	1-162-961-11	CERAMIC CHIP	330PF	10%	50V
C1309	1-162-918-11	CERAMIC CHIP	18PF	5%	50V	C1473	1-162-963-11	CERAMIC CHIP	680PF	10%	50V
C1310	1-162-918-11	CERAMIC CHIP	18PF	5%	50V	C1478	1-112-100-11	ELECT	10uF	20%	50V
C1312	1-164-156-11	CERAMIC CHIP	0.1uF		25V						
C1313	1-162-927-11	CERAMIC CHIP	100PF	5%	50V	C1481	1-162-961-11	CERAMIC CHIP	330PF	10%	50V
C1314	1-164-156-11	CERAMIC CHIP	0.1uF		25V	C1483	1-162-963-11	CERAMIC CHIP	680PF	10%	50V
						C1488	1-112-100-11	ELECT	10uF	20%	50V
C1315	1-162-974-11	CERAMIC CHIP	0.01uF		50V	C1491	1-112-100-11	ELECT	10uF	20%	50V
C1316	1-164-156-11	CERAMIC CHIP	0.1uF		25V	C1494	1-164-156-11	CERAMIC CHIP	0.1uF		25V
C1317	1-126-935-11	ELECT	470uF	20%	16V						
C1351	1-164-156-11	CERAMIC CHIP	0.1uF		25V	C1501	1-164-156-11	CERAMIC CHIP	0.1uF		25V
C1352	1-164-156-11	CERAMIC CHIP	0.1uF		25V	C1502	1-164-156-11	CERAMIC CHIP	0.1uF		25V
						C1503	1-164-156-11	CERAMIC CHIP	0.1uF		25V
C1353	1-164-156-11	CERAMIC CHIP	0.1uF		25V	C1504	1-164-156-11	CERAMIC CHIP	0.1uF		25V
C1354	1-164-156-11	CERAMIC CHIP	0.1uF		25V	C1505	1-164-156-11	CERAMIC CHIP	0.1uF		25V
C1355	1-126-965-11	ELECT	22uF	20%	50V						
C1356	1-162-971-11	CERAMIC CHIP	0.001uF	10%	50V	C1507	1-164-156-11	CERAMIC CHIP	0.1uF		25V
C1357	1-162-905-11	CERAMIC CHIP	1PF	0.25PF	50V	C1508	1-164-156-11	CERAMIC CHIP	0.1uF		25V
						C1509	1-162-927-11	CERAMIC CHIP	100PF	5%	50V
C1358	1-164-156-11	CERAMIC CHIP	0.1uF		25V	C1510	1-164-156-11	CERAMIC CHIP	0.1uF		25V
C1359	1-126-916-11	ELECT	1000uF	20%	6.3V	C1511	1-164-156-11	CERAMIC CHIP	0.1uF		25V
C1360	1-162-923-11	CERAMIC CHIP	47PF	5%	50V						
C1361	1-164-156-11	CERAMIC CHIP	0.1uF		25V	C1513	1-164-156-11	CERAMIC CHIP	0.1uF		25V
C1362	1-164-373-11	CERAMIC CHIP	0.033uF		25V	C1514	1-164-156-11	CERAMIC CHIP	0.1uF		25V
						C1515	1-126-935-11	ELECT	470uF	20%	16V
C1370	1-164-156-11	CERAMIC CHIP	0.1uF		25V	C1516	1-164-156-11	CERAMIC CHIP	0.1uF		25V
C1375	1-164-156-11	CERAMIC CHIP	0.1uF		25V	C1517	1-126-935-11	ELECT	470uF	20%	16V
C1377	1-162-905-11	CERAMIC CHIP	1PF	0.25PF	50V						
C1380	1-162-923-11	CERAMIC CHIP	47PF	5%	50V	C1518	1-164-156-11	CERAMIC CHIP	0.1uF		25V
C1381	1-126-965-11	ELECT	22uF	20%	50V	C1519	1-164-156-11	CERAMIC CHIP	0.1uF		25V
						C1520	1-164-156-11	CERAMIC CHIP	0.1uF		25V
C1401	1-164-156-11	CERAMIC CHIP	0.1uF		25V	C1521	1-162-920-11	CERAMIC CHIP	27PF	5%	50V
C1402	1-112-089-11	ELECT	47uF	20%	25V	C1522	1-162-920-11	CERAMIC CHIP	27PF	5%	50V
C1403	1-112-100-11	ELECT	10uF	20%	50V						
C1404	1-164-156-11	CERAMIC CHIP	0.1uF		25V	C1905	1-100-566-91	CERAMIC CHIP	0.1uF	10%	25V
C1405	1-162-962-11	CERAMIC CHIP	470PF	10%	50V	C1906	1-126-935-11	ELECT	470uF	20%	16V
						C1908	1-126-935-11	ELECT	470uF	20%	16V
C1406	1-112-099-11	ELECT	4.7uF	20%	50V	C1913	1-136-165-00	FILM	0.1uF	5%	50V
C1407	1-112-099-11	ELECT	4.7uF	20%	50V	C1914	1-126-947-11	ELECT	47uF	20%	35V
C1408	1-162-962-11	CERAMIC CHIP	470PF	10%	50V						
C1409	1-164-156-11	CERAMIC CHIP	0.1uF		25V	C1950	1-164-156-11	CERAMIC CHIP	0.1uF		25V
C1411	1-162-961-11	CERAMIC CHIP	330PF	10%	50V	C2101	1-164-156-11	CERAMIC CHIP	0.1uF		25V
						C2102	1-164-156-11	CERAMIC CHIP	0.1uF		25V
C1413	1-162-963-11	CERAMIC CHIP	680PF	10%	50V	C2104	1-164-156-11	CERAMIC CHIP	0.1uF		25V
C1418	1-112-100-11	ELECT	10uF	20%	50V	C2132	1-164-156-11	CERAMIC CHIP	0.1uF		25V
C1421	1-162-961-11	CERAMIC CHIP	330PF	10%	50V						
C1423	1-162-963-11	CERAMIC CHIP	680PF	10%	50V	C2134	1-126-960-11	ELECT	1uF	20%	50V
C1428	1-112-100-11	ELECT	10uF	20%	50V	C2232	1-162-927-11	CERAMIC CHIP	100PF	5%	50V
						C2236	1-164-156-11	CERAMIC CHIP	0.1uF		25V
C1431	1-162-961-11	CERAMIC CHIP	330PF	10%	50V	C2237	1-164-156-11	CERAMIC CHIP	0.1uF		25V
C1433	1-162-963-11	CERAMIC CHIP	680PF	10%	50V	C2241	1-162-974-11	CERAMIC CHIP	0.01uF		50V
C1438	1-112-100-11	ELECT	10uF	20%	50V						
C1441	1-162-961-11	CERAMIC CHIP	330PF	10%	50V	C2247	1-162-968-11	CERAMIC CHIP	0.0047uF	10%	50V
C1443	1-162-963-11	CERAMIC CHIP	680PF	10%	50V	C2254	1-164-156-11	CERAMIC CHIP	0.1uF		25V

# STR-DA2100ES

## DIGITAL

Ref. No.	Part No.	Description	Remark
C2256	1-126-947-11	ELECT 47uF 20% 35V	
< CONNECTOR >			
CNP504	1-568-830-11	CONNECTOR, FFC 11P	
CNP506	1-784-925-11	PIN, CONNECTOR 10P	
CNP507	1-784-922-11	PIN, CONNECTOR 5P	
CNP510	1-784-923-11	PIN, CONNECTOR 7P	
CNP800	1-564-320-00	PIN, CONNECTOR (3.96mm PITCH) 2P	
CNP801	1-784-924-11	PIN, CONNECTOR 8P	
CNS501	1-766-720-41	CONNECTOR, BOARD TO BOARD 17P	
CNS502	1-766-719-41	CONNECTOR, BOARD TO BOARD 10P	
CNS503	1-568-826-11	CONNECTOR, FFC 7P	
CNS505	1-568-844-11	CONNECTOR, FFC 29P	
CNS508	1-568-830-11	CONNECTOR, FFC 11P	
CNS509	1-784-766-11	CONNECTOR, FFC 5P	
CNS551	1-819-186-11	CONNECTOR (B TO B PLUG) 30P	
< DIODE >			
D1001	8-719-053-18	DIODE 1SR154-400TE-25	
D1003	8-719-049-09	DIODE 1SS367-T3SONY	
D1004	8-719-049-09	DIODE 1SS367-T3SONY	
D1101	8-719-988-61	DIODE 1SS355TE-17	
D1102	8-719-988-61	DIODE 1SS355TE-17	
D1103	8-719-988-61	DIODE 1SS355TE-17	
D1105	8-719-988-61	DIODE 1SS355TE-17	
D1106	8-719-988-61	DIODE 1SS355TE-17	
D1107	8-719-988-61	DIODE 1SS355TE-17	
D1108	8-719-988-61	DIODE 1SS355TE-17	
D1110	8-719-988-61	DIODE 1SS355TE-17	
D1111	8-719-988-61	DIODE 1SS355TE-17	
D1301	8-719-988-61	DIODE 1SS355TE-17	
D2702	8-719-801-78	DIODE 1SS184	
< FERRITE BEAD >			
FB1075	1-400-862-11	BEAD, FERRITE	
FB1076	1-400-862-11	BEAD, FERRITE	
FB1077	1-400-862-11	BEAD, FERRITE	
FB1078	1-400-862-11	BEAD, FERRITE	
FB1101	1-400-862-11	BEAD, FERRITE	
FB1102	1-400-862-11	BEAD, FERRITE	
FB1302	1-400-862-11	BEAD, FERRITE	
FB1303	1-400-862-11	BEAD, FERRITE	
FB1304	1-400-862-11	BEAD, FERRITE	
FB1305	1-400-862-11	BEAD, FERRITE	
FB1306	1-400-862-11	BEAD, FERRITE	
FB1307	1-400-862-11	BEAD, FERRITE	
FB1308	1-400-862-11	BEAD, FERRITE	
FB1309	1-400-862-11	BEAD, FERRITE	
FB1405	1-400-862-11	BEAD, FERRITE	
FB1452	1-400-862-11	BEAD, FERRITE	
FB1453	1-400-862-11	BEAD, FERRITE	
FB1501	1-400-862-11	BEAD, FERRITE	
FB1502	1-400-862-11	BEAD, FERRITE	
FB1503	1-400-862-11	BEAD, FERRITE	
FB1504	1-400-862-11	BEAD, FERRITE	
FB2035	1-400-862-11	BEAD, FERRITE	

Ref. No.	Part No.	Description	Remark
< IC >			
IC1001	8-759-231-53	IC TA7805S	
IC1011	6-705-464-01	IC BA50BC0T	
IC1021	6-705-463-01	IC BA33BC0T	
IC1031	6-705-464-01	IC BA50BC0T	
IC1101	6-805-147-01	IC MB91F155APFV-G-E1-SOZ1445	
IC1131	6-704-004-01	IC BR24L16F-WE2	
IC1141	8-759-491-47	IC TC74VHCT08AFT (EL)	
IC1301	8-759-825-15	IC LC89056W-E	
IC1302	8-759-595-15	IC TC74ACT153F (EL)	
IC1303	8-759-242-70	IC TC7WU04F	
IC1351	6-600-014-01	IC TORX141L (DIGITAL ASSIGNABLE (INPUT ONLY) TV/SAT IN)	
IC1352	6-600-014-01	IC TORX141L (DIGITAL ASSIGNABLE (INPUT ONLY) MD/TAPE IN)	
IC1353	6-600-012-11	IC TOTX141L (RED) (DIGITAL ASSIGNABLE (INPUT ONLY) MD/TAPE OUT)	
IC1354	6-600-014-01	IC TORX141L (DIGITAL ASSIGNABLE (INPUT ONLY) SA-CD/CD IN)	
IC1373	8-759-242-70	IC TC7WU04F	
IC1401	8-759-560-56	IC PCM1800E/2K	
IC1403	8-759-710-97	IC NJM4565M-D	
IC1404	8-759-710-97	IC NJM4565M-D	
IC1405	8-759-710-97	IC NJM4565M-D	
IC1406	8-759-710-97	IC NJM4565M-D	
IC1452	6-703-787-01	IC PCM1609KPTR	
IC1501	6-705-900-01	IC CXD9718BQ	
IC1502	6-704-037-01	IC IC61LV6416-15TG	
IC1503	8-759-546-74	IC TC7WH157FU (TE12R)	
IC1901	6-701-887-02	IC SI-3004KWF	
IC1902	8-759-701-59	IC NJM78M09FA	
IC1950	8-759-523-81	IC TC74VHC08FT (EL)	
IC2048	8-759-666-99	IC TMP87CH447U-1F23	
IC2051	6-702-912-01	IC S-80942CNMC-G9CT2G	
IC2101	8-759-008-37	IC MC74HC4050F	
IC2102	8-759-238-47	IC TC74HCT7007AF (EL)	
IC2104	8-759-277-63	IC TC7W14FU (TE12R)	
IC2105	8-759-058-62	IC TC7S08FU (TE85R)	
< JACK >			
J1301	1-818-314-11	PIN JACK 2P (DIGITAL ASSIGNABLE (INPUT ONLY) COAXIAL DVD/SA-CD/CD IN)	
< JUMPER RESISTOR >			
JR1213	1-211-950-11	SHORT CHIP 0	
JR1216	1-211-950-11	SHORT CHIP 0	
JR1300	1-216-296-11	SHORT CHIP 0	
JR1301	1-216-864-11	SHORT CHIP 0	
< TRANSISTOR >			
Q1103	8-729-027-43	TRANSISTOR DTC114EKA-T146	
Q1104	8-729-230-49	TRANSISTOR 2SC2712-YG	
Q1105	8-729-230-49	TRANSISTOR 2SC2712-YG	
< RESISTOR >			
R1021	1-216-809-11	METAL CHIP 100 5% 1/10W	
R1022	1-216-809-11	METAL CHIP 100 5% 1/10W	
R1023	1-216-809-11	METAL CHIP 100 5% 1/10W	



# STR-DA2100ES

## DIGITAL

Ref. No.	Part No.	Description	Remark	Ref. No.	Part No.	Description	Remark
R1191	1-216-833-11	METAL CHIP	10K 5%	R1434	1-218-867-11	METAL CHIP	6.8K 0.5%
R1192	1-216-833-11	METAL CHIP	10K 5%	R1436	1-216-821-11	METAL CHIP	1K 5%
R1193	1-216-833-11	METAL CHIP	10K 5%	R1440	1-218-867-11	METAL CHIP	6.8K 0.5%
R1194	1-216-833-11	METAL CHIP	10K 5%	R1444	1-218-867-11	METAL CHIP	6.8K 0.5%
R1195	1-216-833-11	METAL CHIP	10K 5%	R1446	1-216-821-11	METAL CHIP	1K 5%
R1196	1-216-833-11	METAL CHIP	10K 5%	R1450	1-218-867-11	METAL CHIP	6.8K 0.5%
R1199	1-216-864-11	SHORT CHIP	0	R1454	1-218-867-11	METAL CHIP	6.8K 0.5%
R1200	1-216-833-11	METAL CHIP	10K 5%	R1456	1-216-809-11	METAL CHIP	100 5%
R1201	1-216-837-11	METAL CHIP	22K 5%	R1460	1-218-867-11	METAL CHIP	6.8K 0.5%
R1251	1-216-840-11	METAL CHIP	39K 5%	R1464	1-218-867-11	METAL CHIP	6.8K 0.5%
R1252	1-216-840-11	METAL CHIP	39K 5%	R1466	1-216-821-11	METAL CHIP	1K 5%
R1260	1-216-821-11	METAL CHIP	1K 5%	R1470	1-218-867-11	METAL CHIP	6.8K 0.5%
R1261	1-216-821-11	METAL CHIP	1K 5%	R1471	1-216-833-11	METAL CHIP	10K 5%
R1301	1-216-830-11	METAL CHIP	5.6K 5%	R1474	1-218-867-11	METAL CHIP	6.8K 0.5%
R1302	1-216-829-11	METAL CHIP	4.7K 5%	R1476	1-216-821-11	METAL CHIP	1K 5%
R1303	1-216-839-11	METAL CHIP	33K 5%	R1480	1-218-867-11	METAL CHIP	6.8K 0.5%
R1304	1-216-809-11	METAL CHIP	100 5%	R1484	1-218-867-11	METAL CHIP	6.8K 0.5%
R1305	1-216-819-11	METAL CHIP	680 5%	R1486	1-216-821-11	METAL CHIP	1K 5%
R1306	1-216-801-11	METAL CHIP	22 5%	R1501	1-216-809-11	METAL CHIP	100 5%
R1307	1-216-809-11	METAL CHIP	100 5%	R1502	1-216-809-11	METAL CHIP	100 5%
R1308	1-216-809-11	METAL CHIP	100 5%	R1503	1-216-813-11	METAL CHIP	220 5%
R1309	1-216-809-11	METAL CHIP	100 5%	R1504	1-216-809-11	METAL CHIP	100 5%
R1310	1-216-857-11	METAL CHIP	1M 5%	R1505	1-216-809-11	METAL CHIP	100 5%
R1311	1-216-809-11	METAL CHIP	100 5%	R1506	1-216-809-11	METAL CHIP	100 5%
R1312	1-216-809-11	METAL CHIP	100 5%	R1507	1-216-809-11	METAL CHIP	100 5%
R1313	1-216-809-11	METAL CHIP	100 5%	R1508	1-216-809-11	METAL CHIP	100 5%
R1314	1-216-833-11	METAL CHIP	10K 5%	R1509	1-216-809-11	METAL CHIP	100 5%
R1315	1-216-809-11	METAL CHIP	100 5%	R1510	1-216-809-11	METAL CHIP	100 5%
R1316	1-216-809-11	METAL CHIP	100 5%	R1511	1-216-809-11	METAL CHIP	100 5%
R1318	1-216-833-11	METAL CHIP	10K 5%	R1512	1-216-821-11	METAL CHIP	1K 5%
R1351	1-216-809-11	METAL CHIP	100 5%	R1513	1-216-833-11	METAL CHIP	10K 5%
R1352	1-216-809-11	METAL CHIP	100 5%	R1514	1-216-833-11	METAL CHIP	10K 5%
R1353	1-216-809-11	METAL CHIP	100 5%	R1516	1-216-809-11	METAL CHIP	100 5%
R1354	1-216-809-11	METAL CHIP	100 5%	R1517	1-216-813-11	METAL CHIP	220 5%
R1355	1-218-285-11	METAL CHIP	75 5%	R1518	1-216-813-11	METAL CHIP	220 5%
R1356	1-216-821-11	METAL CHIP	1K 5%	R1519	1-216-813-11	METAL CHIP	220 5%
R1357	1-216-837-11	METAL CHIP	22K 5%	R1520	1-216-813-11	METAL CHIP	220 5%
R1358	1-216-854-11	METAL CHIP	560K 5%	R1521	1-216-813-11	METAL CHIP	220 5%
R1359	1-216-809-11	METAL CHIP	100 5%	R1522	1-216-813-11	METAL CHIP	220 5%
R1360	1-216-809-11	METAL CHIP	100 5%	R1523	1-216-813-11	METAL CHIP	220 5%
R1362	1-216-809-11	METAL CHIP	100 5%	R1525	1-216-813-11	METAL CHIP	220 5%
R1366	1-218-285-11	METAL CHIP	75 5%	R1526	1-216-813-11	METAL CHIP	220 5%
R1376	1-216-821-11	METAL CHIP	1K 5%	R1527	1-216-813-11	METAL CHIP	220 5%
R1377	1-216-837-11	METAL CHIP	22K 5%	R1528	1-216-813-11	METAL CHIP	220 5%
R1378	1-216-854-11	METAL CHIP	560K 5%	R1532	1-216-813-11	METAL CHIP	220 5%
R1379	1-216-809-11	METAL CHIP	100 5%	R1533	1-216-813-11	METAL CHIP	220 5%
R1401	1-216-821-11	METAL CHIP	1K 5%	R1534	1-216-813-11	METAL CHIP	220 5%
R1402	1-216-825-11	METAL CHIP	2.2K 5%	R1535	1-216-813-11	METAL CHIP	220 5%
R1403	1-216-833-11	METAL CHIP	10K 5%	R1536	1-216-813-11	METAL CHIP	220 5%
R1407	1-216-809-11	METAL CHIP	100 5%	R1537	1-216-813-11	METAL CHIP	220 5%
R1410	1-218-867-11	METAL CHIP	6.8K 0.5%	R1538	1-216-813-11	METAL CHIP	220 5%
R1414	1-218-867-11	METAL CHIP	6.8K 0.5%	R1539	1-216-813-11	METAL CHIP	220 5%
R1416	1-216-809-11	METAL CHIP	100 5%	R1540	1-216-813-11	METAL CHIP	220 5%
R1420	1-218-867-11	METAL CHIP	6.8K 0.5%	R1541	1-216-813-11	METAL CHIP	220 5%
R1424	1-218-867-11	METAL CHIP	6.8K 0.5%	R1542	1-216-813-11	METAL CHIP	220 5%
R1426	1-216-821-11	METAL CHIP	1K 5%	R1543	1-216-813-11	METAL CHIP	220 5%
R1430	1-218-867-11	METAL CHIP	6.8K 0.5%	R1544	1-216-813-11	METAL CHIP	220 5%
				R1545	1-216-813-11	METAL CHIP	220 5%



Ref. No.	Part No.	Description	Remark	Ref. No.	Part No.	Description	Remark
R1546	1-216-813-11	METAL CHIP	220 5% 1/10W		A-1095-102-A	DISPLAY BOARD, COMPLETE	
R1547	1-216-813-11	METAL CHIP	220 5% 1/10W			*****	
R1548	1-216-813-11	METAL CHIP	220 5% 1/10W		4-244-786-01	FL HOLDER (DE9)	
R1549	1-216-813-11	METAL CHIP	220 5% 1/10W	*	4-955-901-01	CUSHION (FL)	
R1550	1-216-813-11	METAL CHIP	220 5% 1/10W			< CAPACITOR >	
R1551	1-216-813-11	METAL CHIP	220 5% 1/10W		C105	1-107-826-11 CERAMIC CHIP	0.1uF 10% 16V
R1552	1-216-813-11	METAL CHIP	220 5% 1/10W		C161	1-107-826-11 CERAMIC CHIP	0.1uF 10% 16V
R1553	1-216-813-11	METAL CHIP	220 5% 1/10W		C181	1-162-966-11 CERAMIC CHIP	0.0022uF 10% 50V
R1554	1-216-813-11	METAL CHIP	220 5% 1/10W		C182	1-162-966-11 CERAMIC CHIP	0.0022uF 10% 50V
R1555	1-216-813-11	METAL CHIP	220 5% 1/10W		C184	1-162-927-11 CERAMIC CHIP	100PF 5% 50V
R1556	1-216-809-11	METAL CHIP	100 5% 1/10W		C185	1-162-927-11 CERAMIC CHIP	100PF 5% 50V
R1570	1-216-833-11	METAL CHIP	10K 5% 1/10W		C188	1-124-589-11 ELECT	47uF 20% 16V
R1571	1-216-833-11	METAL CHIP	10K 5% 1/10W		C192	1-124-261-00 ELECT	10uF 20% 50V
R1572	1-216-833-11	METAL CHIP	10K 5% 1/10W		C193	1-107-826-11 CERAMIC CHIP	0.1uF 10% 16V
R1573	1-216-833-11	METAL CHIP	10K 5% 1/10W		C194	1-107-826-11 CERAMIC CHIP	0.1uF 10% 16V
R1574	1-216-833-11	METAL CHIP	10K 5% 1/10W		C195	1-124-261-00 ELECT	10uF 20% 50V
R2157	1-216-833-11	METAL CHIP	10K 5% 1/10W			< CONNECTOR >	
R2158	1-216-845-11	METAL CHIP	100K 5% 1/10W		CNS101	1-568-844-11 CONNECTOR, FFC 29P	
R2159	1-216-809-11	METAL CHIP	100 5% 1/10W			< LED >	
R2310	1-216-833-11	METAL CHIP	10K 5% 1/10W		D101	6-500-647-01 LED SEL5E20C-STP15	(MULTI CHANNEL DECODING)
R2311	1-216-833-11	METAL CHIP	10K 5% 1/10W			< FLUORESCENT INDICATOR >	
R2312	1-216-833-11	METAL CHIP	10K 5% 1/10W		FL101	1-518-969-11 VACUUM FLUORESCENT DISPLAYS	
R2313	1-216-833-11	METAL CHIP	10K 5% 1/10W			< IC >	
R2314	1-216-833-11	METAL CHIP	10K 5% 1/10W		IC100	6-804-183-01 IC 86CK74AFG-5DC1	
R2315	1-216-833-11	METAL CHIP	10K 5% 1/10W		IC103	6-600-349-31 IC NJL24H400A	
R2316	1-216-833-11	METAL CHIP	10K 5% 1/10W			< TRANSISTOR >	
R2320	1-216-833-11	METAL CHIP	10K 5% 1/10W		Q101	8-729-901-00 TRANSISTOR	DTC124EK
R2327	1-216-833-11	METAL CHIP	10K 5% 1/10W			< RESISTOR >	
R2329	1-216-857-11	METAL CHIP	1M 5% 1/10W		R101	1-216-821-11 METAL CHIP	1K 5% 1/10W
R2335	1-216-833-11	METAL CHIP	10K 5% 1/10W		R102	1-216-825-11 METAL CHIP	2.2K 5% 1/10W
R2336	1-216-833-11	METAL CHIP	10K 5% 1/10W		R107	1-216-825-11 METAL CHIP	2.2K 5% 1/10W
R2337	1-216-833-11	METAL CHIP	10K 5% 1/10W		R111	1-216-821-11 METAL CHIP	1K 5% 1/10W
R2339	1-216-833-11	METAL CHIP	10K 5% 1/10W		R112	1-216-825-11 METAL CHIP	2.2K 5% 1/10W
R2346	1-216-833-11	METAL CHIP	10K 5% 1/10W		R113	1-216-825-11 METAL CHIP	2.2K 5% 1/10W
R2348	1-216-833-11	METAL CHIP	10K 5% 1/10W		R114	1-216-829-11 METAL CHIP	4.7K 5% 1/10W
		< VIBRATOR >			R121	1-216-821-11 METAL CHIP	1K 5% 1/10W
X1101	1-795-179-21	VIBRATOR, CERAMIC (16.5MHz)			R122	1-216-825-11 METAL CHIP	2.2K 5% 1/10W
X1301	1-795-126-21	VIBRATOR, CRYSTAL (12.288MHz)			R123	1-216-825-11 METAL CHIP	2.2K 5% 1/10W
X1502	1-813-276-21	QUARTZ CRYSTAL (13.9MHz)			R124	1-216-829-11 METAL CHIP	4.7K 5% 1/10W
X2003	1-767-938-21	VIBRATOR, CERAMIC (7.28MHz)			R157	1-216-857-11 METAL CHIP	1M 5% 1/10W
*****					R161	1-218-285-11 METAL CHIP	75 5% 1/10W
		DIRECT BOARD			R162	1-216-833-11 METAL CHIP	10K 5% 1/10W
		*****			R170	1-216-845-11 METAL CHIP	100K 5% 1/10W
		< CONNECTOR >			R171	1-216-845-11 METAL CHIP	100K 5% 1/10W
CNP102	1-691-765-11	PLUG (MICRO CONNECTOR) 3P			R172	1-216-845-11 METAL CHIP	100K 5% 1/10W
		< RESISTOR >			R173	1-216-845-11 METAL CHIP	100K 5% 1/10W
R103	1-216-829-11	METAL CHIP	4.7K 5% 1/10W		R174	1-216-845-11 METAL CHIP	100K 5% 1/10W
R104	1-216-833-11	METAL CHIP	10K 5% 1/10W		R181	1-216-809-11 METAL CHIP	100 5% 1/10W
		< SWITCH >					
S103	1-771-410-21	SWITCH, TACTILE (MULTI CH IN)					
S104	1-771-410-21	SWITCH, TACTILE (DIRECT)					
*****							

# STR-DA2100ES

**DISPLAY** **FUNCTION** **HPV3** **MAIN**

Ref. No.	Part No.	Description	Remark
R182	1-216-809-11	METAL CHIP	100 5% 1/10W
R183	1-216-841-11	METAL CHIP	47K 5% 1/10W
R184	1-216-809-11	METAL CHIP	100 5% 1/10W
R185	1-216-809-11	METAL CHIP	100 5% 1/10W
△R186	1-249-393-11	CARBON	10 5% 1/4W F
R187	1-216-809-11	METAL CHIP	100 5% 1/10W
△R198	1-249-377-11	CARBON	0.47 5% 1/4W F
△R199	1-249-377-11	CARBON	0.47 5% 1/4W F
< ROTARY ENCODER >			
RV101	1-467-808-21	ENCODER, ROTARY (MENU)	
RV105	1-467-808-21	ENCODER, ROTARY (-/+)	
< SWITCH >			
S100	1-771-410-21	SWITCH, TACTILE (INPUT MODE)	
S101	1-771-410-21	SWITCH, TACTILE (MUSIC)	
S102	1-771-410-21	SWITCH, TACTILE (MAIN MENU)	
S107	1-771-410-21	SWITCH, TACTILE (SURR BACK DECODING)	
S110	1-771-410-21	SWITCH, TACTILE (MOVIE)	
S111	1-771-410-21	SWITCH, TACTILE (A.F.D.)	
S112	1-771-410-21	SWITCH, TACTILE (2CH)	
S113	1-771-410-21	SWITCH, TACTILE (DISPLAY)	
S114	1-771-410-21	SWITCH, TACTILE (SPEAKERS)	
S120	1-771-410-21	SWITCH, TACTILE (TUNING -)	
S121	1-771-410-21	SWITCH, TACTILE (PRESET TUNING -)	
S122	1-771-410-21	SWITCH, TACTILE (PRESET TUNING +)	
S123	1-771-410-21	SWITCH, TACTILE (TUNING +)	
S124	1-771-410-21	SWITCH, TACTILE (MEMORY/ENTER)	
S141	1-771-410-21	SWITCH, TACTILE (I/Ⓞ)	
< VIBRATOR >			
X101	1-579-952-21	VIBRATOR, CERAMIC (8MHz)	
*****			
FUNCTION BOARD			
*****			
< VARIABLE RESISTOR >			
RV104	1-467-808-21	ENCODER, ROTARY (INPUT SELECTOR)	
*****			
A-1095-106-A	HPV3 BOARD, COMPLETE		
*****			
< CAPACITOR >			
C1081	1-107-826-11	CERAMIC CHIP	0.1uF 10% 16V
C1088	1-107-826-11	CERAMIC CHIP	0.1uF 10% 16V
C1089	1-107-826-11	CERAMIC CHIP	0.1uF 10% 16V
C1096	1-107-826-11	CERAMIC CHIP	0.1uF 10% 16V
C1097	1-162-966-11	CERAMIC CHIP	0.0022uF 10% 50V
C1098	1-162-966-11	CERAMIC CHIP	0.0022uF 10% 50V
< CONNECTOR >			
CN1071	1-779-978-11	PIN, CONNECTOR 3P	
CN1081	1-691-766-11	PLUG (MICRO CONNECTOR) 4P	
CN1091	1-784-923-11	PIN, CONNECTOR 7P	

Ref. No.	Part No.	Description	Remark
< EARTH TERMINAL >			
* EP1086	1-537-738-21	TERMINAL, EARTH	
* EP1091	1-537-738-21	TERMINAL, EARTH	
< IC >			
IC1081	6-600-219-01	IC GP1FM313RZ0F (VIDEO 3 INPUT DIGITAL OPTICAL)	
< JACK >			
J1086	1-815-313-21	JACK (PHONES)	
J1091	1-770-571-11	JACK BLOCK, PIN (L TYPE) 3P (VIDEO 3 INPUT VIDEO, VIDEO 3 INPUT AUDIO)	
J1092	1-784-808-11	TERMINAL, S (VIDEO 3 INPUT S-VIDEO)	
< RESISTOR >			
R1081	1-216-809-11	METAL CHIP	100 5% 1/10W
R1092	1-216-864-11	SHORT CHIP	0
R1093	1-216-864-11	SHORT CHIP	0
*****			
A-1095-097-A	MAIN BOARD, COMPLETE		
*****			
7-685-646-79	SCREW +BVTP 3X8 TYPE2 IT-3		
< CAPACITOR >			
C200	1-112-079-11	ELECT	220uF 20% 10V
C201	1-112-100-11	ELECT	10uF 20% 50V
C220	1-112-109-11	ELECT	22uF 20% 100V
C221	1-112-109-11	ELECT	22uF 20% 100V
C230	1-112-109-11	ELECT	22uF 20% 100V
C231	1-112-109-11	ELECT	22uF 20% 100V
C233	1-112-150-11	ELECT	4.7uF 20% 100V
C250	1-112-101-11	ELECT	47uF 20% 50V
C251	1-112-101-11	ELECT	47uF 20% 50V
C252	1-112-101-11	ELECT	47uF 20% 50V
C255	1-112-079-11	ELECT	220uF 20% 10V
C260	1-127-888-11	CERAMIC	0.1uF 10% 50V
C261	1-112-079-11	ELECT	220uF 20% 10V
C265	1-127-888-11	CERAMIC	0.1uF 10% 50V
C266	1-112-079-11	ELECT	220uF 20% 10V
C290	1-107-935-11	ELECT	330uF 20% 100V
C302	1-128-813-11	CERAMIC	220PF 5% 50V
C303	1-112-097-11	ELECT	2.2uF 20% 50V
C304	1-112-079-11	ELECT	220uF 20% 10V
C305	1-128-809-11	CERAMIC	100PF 5% 50V
C306	1-125-896-11	MYLAR	0.0091uF 5% 50V
C307	1-136-159-00	FILM	0.033uF 5% 50V
C308	1-124-257-00	ELECT	2.2uF 20% 50V
C309	1-127-880-11	CERAMIC	0.022uF 10% 50V
C310	1-130-471-00	MYLAR	0.001uF 5% 50V
C313	1-112-099-11	ELECT	4.7uF 20% 50V
C330	1-112-114-11	ELECT	22uF 20% 50V
C331	1-128-809-11	CERAMIC	100PF 5% 50V
C332	1-112-114-11	ELECT	22uF 20% 50V
C352	1-128-813-11	CERAMIC	220PF 5% 50V
C353	1-112-097-11	ELECT	2.2uF 20% 50V
C354	1-112-079-11	ELECT	220uF 20% 10V

Ref. No.	Part No.	Description	Remark			Ref. No.	Part No.	Description	Remark		
C355	1-128-809-11	CERAMIC	100PF	5%	50V						
C356	1-125-896-11	MYLAR	0.0091uF	5%	50V	C513	1-128-809-11	CERAMIC	100PF	5%	50V
C357	1-136-159-00	FILM	0.033uF	5%	50V	C514	1-102-233-00	CERAMIC	33PF	10%	500V
						C515	1-107-583-11	CERAMIC	3PF	0.25PF	500V
C358	1-124-257-00	ELECT	2.2uF	20%	50V	C516	1-112-079-11	ELECT	220uF	20%	10V
C359	1-127-880-11	CERAMIC	0.022uF	10%	50V	C521	1-112-089-11	ELECT	47uF	20%	25V
C360	1-130-471-00	MYLAR	0.001uF	5%	50V						
C363	1-112-099-11	ELECT	4.7uF	20%	50V	C523	1-102-233-00	CERAMIC	33PF	10%	500V
C380	1-112-114-11	ELECT	22uF	20%	50V	C524	1-102-233-00	CERAMIC	33PF	10%	500V
						C525	1-128-813-11	CERAMIC	220PF	5%	50V
C381	1-128-809-11	CERAMIC	100PF	5%	50V	C526	1-127-876-11	CERAMIC	0.01uF	10%	50V
C382	1-112-114-11	ELECT	22uF	20%	50V	C527	1-112-100-11	ELECT	10uF	20%	50V
C390	1-112-100-11	ELECT	10uF	20%	50V						
C391	1-112-099-11	ELECT	4.7uF	20%	50V	C531	1-136-497-81	FILM	0.1uF	5%	50V
C392	1-128-803-11	CERAMIC	33PF	5%	50V	C532	1-136-161-00	FILM	0.047uF	5%	50V
						C540	1-112-100-11	ELECT	10uF	20%	50V
C395	1-112-099-11	ELECT	4.7uF	20%	50V	C561	1-112-099-11	ELECT	4.7uF	20%	50V
C403	1-112-100-11	ELECT	10uF	20%	50V	C562	1-128-809-11	CERAMIC	100PF	5%	50V
C408	1-128-813-11	CERAMIC	220PF	5%	50V						
C409	1-128-813-11	CERAMIC	220PF	5%	50V	C563	1-128-809-11	CERAMIC	100PF	5%	50V
C411	1-112-099-11	ELECT	4.7uF	20%	50V	C564	1-102-233-00	CERAMIC	33PF	10%	500V
						C565	1-107-583-11	CERAMIC	3PF	0.25PF	500V
C412	1-128-809-11	CERAMIC	100PF	5%	50V	C566	1-112-079-11	ELECT	220uF	20%	10V
C413	1-128-809-11	CERAMIC	100PF	5%	50V	C571	1-112-089-11	ELECT	47uF	20%	25V
C414	1-102-233-00	CERAMIC	33PF	10%	500V						
C415	1-107-583-11	CERAMIC	3PF	0.25PF	500V	C573	1-102-233-00	CERAMIC	33PF	10%	500V
C416	1-112-079-11	ELECT	220uF	20%	10V	C575	1-102-233-00	CERAMIC	33PF	10%	500V
						C576	1-127-876-11	CERAMIC	0.01uF	10%	50V
C417	1-112-089-11	ELECT	47uF	20%	25V	C577	1-112-100-11	ELECT	10uF	20%	50V
C418	1-127-888-11	CERAMIC	0.1uF	10%	50V	C578	1-128-813-11	CERAMIC	220PF	5%	50V
C421	1-112-089-11	ELECT	47uF	20%	25V						
C423	1-102-233-00	CERAMIC	33PF	10%	500V	C581	1-136-497-81	FILM	0.1uF	5%	50V
C424	1-102-233-00	CERAMIC	33PF	10%	500V	C582	1-136-161-00	FILM	0.047uF	5%	50V
						C590	1-112-100-11	ELECT	10uF	20%	50V
C425	1-128-813-11	CERAMIC	220PF	5%	50V	C603	1-112-100-11	ELECT	10uF	20%	50V
C426	1-127-876-11	CERAMIC	0.01uF	10%	50V	C611	1-112-099-11	ELECT	4.7uF	20%	50V
C427	1-112-100-11	ELECT	10uF	20%	50V						
C428	1-127-888-11	CERAMIC	0.1uF	10%	50V	C612	1-128-809-11	CERAMIC	100PF	5%	50V
C429	1-112-089-11	ELECT	47uF	20%	25V	C613	1-128-809-11	CERAMIC	100PF	5%	50V
						C614	1-102-233-00	CERAMIC	33PF	10%	500V
C431	1-136-497-81	FILM	0.1uF	5%	50V	C615	1-107-583-11	CERAMIC	3PF	0.25PF	500V
C432	1-136-161-00	FILM	0.047uF	5%	50V	C616	1-112-079-11	ELECT	220uF	20%	10V
C440	1-112-100-11	ELECT	10uF	20%	50V						
C461	1-112-099-11	ELECT	4.7uF	20%	50V	C621	1-112-089-11	ELECT	47uF	20%	25V
C462	1-128-809-11	CERAMIC	100PF	5%	50V	C623	1-102-233-00	CERAMIC	33PF	10%	500V
						C624	1-102-233-00	CERAMIC	33PF	10%	500V
C463	1-128-809-11	CERAMIC	100PF	5%	50V	C625	1-128-813-11	CERAMIC	220PF	5%	50V
C464	1-102-233-00	CERAMIC	33PF	10%	500V	C626	1-127-876-11	CERAMIC	0.01uF	10%	50V
C465	1-107-583-11	CERAMIC	3PF	0.25PF	500V						
C466	1-112-079-11	ELECT	220uF	20%	10V	C627	1-112-100-11	ELECT	10uF	20%	50V
C471	1-112-089-11	ELECT	47uF	20%	25V	C631	1-136-497-81	FILM	0.1uF	5%	50V
						C632	1-136-161-00	FILM	0.047uF	5%	50V
C473	1-102-233-00	CERAMIC	33PF	10%	500V	C640	1-112-100-11	ELECT	10uF	20%	50V
C474	1-102-233-00	CERAMIC	33PF	10%	500V	C661	1-112-099-11	ELECT	4.7uF	20%	50V
C475	1-128-813-11	CERAMIC	220PF	5%	50V						
C476	1-127-876-11	CERAMIC	0.01uF	10%	50V	C662	1-128-809-11	CERAMIC	100PF	5%	50V
C477	1-124-261-00	ELECT	10uF	20%	50V	C663	1-128-809-11	CERAMIC	100PF	5%	50V
						C664	1-102-233-00	CERAMIC	33PF	10%	500V
C478	1-112-099-11	ELECT	4.7uF	20%	50V	C665	1-107-583-11	CERAMIC	3PF	0.25PF	500V
C479	1-112-099-11	ELECT	4.7uF	20%	50V	C666	1-112-079-11	ELECT	220uF	20%	10V
C481	1-136-497-81	FILM	0.1uF	5%	50V						
C482	1-136-161-00	FILM	0.047uF	5%	50V	C671	1-112-089-11	ELECT	47uF	20%	25V
C485	1-112-097-11	ELECT	2.2uF	20%	50V	C673	1-102-233-00	CERAMIC	33PF	10%	500V
						C674	1-102-233-00	CERAMIC	33PF	10%	500V
C486	1-124-257-00	ELECT	2.2uF	20%	50V	C675	1-128-813-11	CERAMIC	220PF	5%	50V
C490	1-112-100-11	ELECT	10uF	20%	50V	C676	1-127-876-11	CERAMIC	0.01uF	10%	50V
C503	1-112-100-11	ELECT	10uF	20%	50V						
C511	1-112-099-11	ELECT	4.7uF	20%	50V	C677	1-112-100-11	ELECT	10uF	20%	50V
C512	1-128-809-11	CERAMIC	100PF	5%	50V	C681	1-136-497-81	FILM	0.1uF	5%	50V

# STR-DA2100ES

## MAIN

Ref. No.	Part No.	Description	Remark
C682	1-136-161-00	FILM 0.047uF 5%	50V
C690	1-112-100-11	ELECT 10uF 20%	50V
C703	1-112-100-11	ELECT 10uF 20%	50V
C711	1-112-099-11	ELECT 4.7uF 20%	50V
C712	1-128-809-11	CERAMIC 100PF 5%	50V
C713	1-128-809-11	CERAMIC 100PF 5%	50V
C714	1-102-233-00	CERAMIC 33PF 10%	500V
C715	1-107-583-11	CERAMIC 3PF 0.25PF	500V
C716	1-112-079-11	ELECT 220uF 20%	10V
C721	1-112-089-11	ELECT 47uF 20%	25V
C723	1-102-233-00	CERAMIC 33PF 10%	500V
C724	1-102-233-00	CERAMIC 33PF 10%	500V
C725	1-128-813-11	CERAMIC 220PF 5%	50V
C726	1-127-876-11	CERAMIC 0.01uF 10%	50V
C727	1-112-100-11	ELECT 10uF 20%	50V
C731	1-136-497-81	FILM 0.1uF 5%	50V
C732	1-136-161-00	FILM 0.047uF 5%	50V
C800	1-135-851-21	MYLAR 0.22uF	100V
C802	1-135-851-21	MYLAR 0.22uF	100V
C803	1-109-932-14	ELECT (BLOCK) 10000uF 20%	71V
C804	1-109-932-14	ELECT (BLOCK) 10000uF 20%	71V
C840	1-112-100-11	ELECT 10uF 20%	50V
< CONNECTOR >			
CN908	1-785-103-11	PIN, CONNECTOR (3.96mm PITCH) 5P	
CNP802	1-691-765-11	PLUG (MICRO CONNECTOR) 3P	
CNP805	1-564-704-11	PIN, CONNECTOR (SMALL TYPE) 2P	
* CNP811	1-766-718-21	CONNECTOR, BOARD TO BOARD 17P	
CNP814	1-766-715-21	CONNECTOR, BOARD TO BOARD 10P	
< DIODE >			
D201	8-719-991-33	DIODE 1SS133T-77	
D202	8-719-991-33	DIODE 1SS133T-77	
D203	8-719-991-33	DIODE 1SS133T-77	
D220	8-719-991-33	DIODE 1SS133T-77	
D221	8-719-947-70	DIODE MTZJ-T-72-18C	
D235	8-719-991-33	DIODE 1SS133T-77	
D240	8-719-991-33	DIODE 1SS133T-77	
D250	8-719-934-21	DIODE HZS30-1L	
D251	8-719-068-28	DIODE HZ6.8BP-TK	
D265	8-719-043-76	DIODE AK04V0	
D290	6-500-522-11	DIODE 10EDB40-TA2B5	
D291	6-500-522-11	DIODE 10EDB40-TA2B5	
D300	8-719-991-33	DIODE 1SS133T-77	
D351	8-719-991-33	DIODE 1SS133T-77	
D400	8-719-991-33	DIODE 1SS133T-77	
D425	8-719-991-33	DIODE 1SS133T-77	
D426	8-719-991-33	DIODE 1SS133T-77	
D475	8-719-991-33	DIODE 1SS133T-77	
D476	8-719-991-33	DIODE 1SS133T-77	
D525	8-719-991-33	DIODE 1SS133T-77	
D526	8-719-991-33	DIODE 1SS133T-77	
D575	8-719-991-33	DIODE 1SS133T-77	
D576	8-719-991-33	DIODE 1SS133T-77	
D600	8-719-991-33	DIODE 1SS133T-77	
D625	8-719-991-33	DIODE 1SS133T-77	
D626	8-719-991-33	DIODE 1SS133T-77	
D675	8-719-991-33	DIODE 1SS133T-77	

Ref. No.	Part No.	Description	Remark
D676	8-719-991-33	DIODE 1SS133T-77	
D700	8-719-991-33	DIODE 1SS133T-77	
D725	8-719-991-33	DIODE 1SS133T-77	
D726	8-719-991-33	DIODE 1SS133T-77	
D801	6-501-003-21	DIODE D6SBN20-7003	
D818	8-719-991-33	DIODE 1SS133T-77	
< IC >			
IC210	8-759-167-88	IC NJM4565D	
IC260	8-759-071-48	IC TA7807S	
IC265	8-759-071-47	IC TA79007S	
IC300	8-759-167-88	IC NJM4565D	
IC301	8-759-636-74	IC M5218AP-22	
IC400	6-700-943-01	IC uPC2581V-S	
IC401	6-707-362-01	IC BD3451KS	
IC500	6-700-943-01	IC uPC2581V-S	
IC600	6-700-943-01	IC uPC2581V-S	
IC604	8-759-167-88	IC NJM4565D	
IC700	6-700-943-01	IC uPC2581V-S	
< JACK >			
J301	1-794-981-11	JACK, PIN 4P (PHONO IN, SA-CD/CD IN)	
J302	1-794-981-11	JACK, PIN 4P (MD/TAPE IN/OUT)	
J304	1-774-411-11	JACK, PIN 6P (MULTI CH IN FRONT/SURROUND/SURR BACK)	
J305	1-817-375-11	JACK, PIN 4P (MULTI CH IN CENTER/ SUB WOOFER, 2ND ZONE OUT)	
J306	1-774-785-11	JACK, PIN 1P (PRE OUT SUB WOOFER)	
< COIL >			
L401	1-420-872-52	COIL, AIR-CORE	
L451	1-420-872-52	COIL, AIR-CORE	
L501	1-420-872-52	COIL, AIR-CORE	
L551	1-420-872-52	COIL, AIR-CORE	
L601	1-420-872-52	COIL, AIR-CORE	
L651	1-420-872-52	COIL, AIR-CORE	
L701	1-420-872-52	COIL, AIR-CORE	
< TRANSISTOR >			
Q200	8-729-140-82	TRANSISTOR 2SA988-PAFAEA	
Q201	8-729-119-79	TRANSISTOR 2SC2785-FEK	
Q202	8-729-140-84	TRANSISTOR 2SC1841-PAFAEA	
Q210	8-729-029-86	TRANSISTOR DTC124ESA	
Q220	8-729-021-82	TRANSISTOR 2SD2396K	
Q225	8-729-140-84	TRANSISTOR 2SC1841-PAFAEA	
Q235	8-729-024-93	TRANSISTOR 2SB1565E	
Q240	8-729-119-79	TRANSISTOR 2SC2785-FEK	
Q250	8-729-140-97	TRANSISTOR 2SB734-34	
Q255	8-729-140-82	TRANSISTOR 2SA988-PAFAEA	
Q256	8-729-119-79	TRANSISTOR 2SC2785-FEK	
Q300	8-729-119-79	TRANSISTOR 2SC2785-FEK	
Q351	8-729-119-79	TRANSISTOR 2SC2785-FEK	
Q400	8-729-119-79	TRANSISTOR 2SC2785-FEK	
Q421	8-729-119-76	TRANSISTOR 2SA1175-HFE	
Q422	8-729-141-30	TRANSISTOR 2SC3623A-LK	
Q425	8-729-140-82	TRANSISTOR 2SA988-PAFAEA	
Q426	8-729-140-82	TRANSISTOR 2SA988-PAFAEA	
Q427	8-729-281-53	TRANSISTOR 2SC1815-GR	

Ref. No.	Part No.	Description	Remark	Ref. No.	Part No.	Description	Remark
Q471	8-729-119-76	TRANSISTOR	2SA1175-HFE	R252	1-247-863-11	CARBON	22K 5% 1/4W
Q472	8-729-141-30	TRANSISTOR	2SC3623A-LK	△R280	1-215-868-00	METAL OXIDE	680 5% 1W F
Q475	8-729-140-82	TRANSISTOR	2SA988-PAFAEA	△R290	1-240-877-11	FUSIBLE	0.15 5% 1/2W F
Q476	8-729-140-82	TRANSISTOR	2SA988-PAFAEA	R301	1-259-428-61	CARBON	1K 5% 1/6W
Q477	8-729-281-53	TRANSISTOR	2SC1815-GR	R302	1-259-476-61	CARBON	100K 5% 1/6W
Q521	8-729-119-76	TRANSISTOR	2SA1175-HFE	R303	1-259-474-61	CARBON	82K 5% 1/6W
Q522	8-729-141-30	TRANSISTOR	2SC3623A-LK	R304	1-259-410-61	CARBON	180 5% 1/6W
Q525	8-729-140-82	TRANSISTOR	2SA988-PAFAEA	R305	1-259-450-61	CARBON	8.2K 5% 1/6W
Q526	8-729-140-82	TRANSISTOR	2SA988-PAFAEA	R306	1-259-476-61	CARBON	100K 5% 1/6W
Q527	8-729-281-53	TRANSISTOR	2SC1815-GR	R307	1-259-404-61	CARBON	100 5% 1/6W
Q571	8-729-119-76	TRANSISTOR	2SA1175-HFE	R308	1-259-476-61	CARBON	100K 5% 1/6W
Q572	8-729-141-30	TRANSISTOR	2SC3623A-LK	R309	1-259-420-61	CARBON	470 5% 1/6W
Q575	8-729-140-82	TRANSISTOR	2SA988-PAFAEA	R311	1-259-428-61	CARBON	1K 5% 1/6W
Q576	8-729-140-82	TRANSISTOR	2SA988-PAFAEA	R313	1-259-428-61	CARBON	1K 5% 1/6W
Q577	8-729-281-53	TRANSISTOR	2SC1815-GR	R314	1-259-428-61	CARBON	1K 5% 1/6W
Q600	8-729-119-79	TRANSISTOR	2SC2785-FEK	R330	1-247-887-00	CARBON	220K 5% 1/4W
Q621	8-729-119-76	TRANSISTOR	2SA1175-HFE	R331	1-259-468-61	CARBON	47K 5% 1/6W
Q622	8-729-141-30	TRANSISTOR	2SC3623A-LK	R332	1-259-404-61	CARBON	100 5% 1/6W
Q625	8-729-140-82	TRANSISTOR	2SA988-PAFAEA	R341	1-247-847-11	CARBON	4.7K 5% 1/4W
Q626	8-729-140-82	TRANSISTOR	2SA988-PAFAEA	△R342	1-249-401-11	CARBON	47 5% 1/4W F
Q627	8-729-281-53	TRANSISTOR	2SC1815-GR	R351	1-259-428-61	CARBON	1K 5% 1/6W
Q671	8-729-119-76	TRANSISTOR	2SA1175-HFE	R352	1-259-476-61	CARBON	100K 5% 1/6W
Q672	8-729-141-30	TRANSISTOR	2SC3623A-LK	R353	1-259-474-61	CARBON	82K 5% 1/6W
Q675	8-729-140-82	TRANSISTOR	2SA988-PAFAEA	R354	1-259-410-61	CARBON	180 5% 1/6W
Q676	8-729-140-82	TRANSISTOR	2SA988-PAFAEA	R355	1-259-450-61	CARBON	8.2K 5% 1/6W
Q677	8-729-281-53	TRANSISTOR	2SC1815-GR	R356	1-259-476-61	CARBON	100K 5% 1/6W
Q700	8-729-119-79	TRANSISTOR	2SC2785-FEK	R357	1-259-404-61	CARBON	100 5% 1/6W
Q721	8-729-119-76	TRANSISTOR	2SA1175-HFE	R358	1-259-476-61	CARBON	100K 5% 1/6W
Q722	8-729-141-30	TRANSISTOR	2SC3623A-LK	R359	1-259-420-61	CARBON	470 5% 1/6W
Q725	8-729-140-82	TRANSISTOR	2SA988-PAFAEA	R361	1-259-428-61	CARBON	1K 5% 1/6W
Q726	8-729-140-82	TRANSISTOR	2SA988-PAFAEA	R363	1-259-428-61	CARBON	1K 5% 1/6W
Q727	8-729-281-53	TRANSISTOR	2SC1815-GR	R364	1-259-428-61	CARBON	1K 5% 1/6W
Q809	8-729-119-79	TRANSISTOR	2SC2785-FEK	R380	1-247-887-00	CARBON	220K 5% 1/4W
< RESISTOR >				R381	1-259-468-61	CARBON	47K 5% 1/6W
R201	1-249-429-11	CARBON	10K 5% 1/4W	R382	1-259-404-61	CARBON	100 5% 1/6W
R203	1-249-435-11	CARBON	33K 5% 1/4W	R388	1-259-428-61	CARBON	1K 5% 1/6W
R204	1-259-428-61	CARBON	1K 5% 1/6W	R389	1-259-468-61	CARBON	47K 5% 1/6W
R205	1-249-427-11	CARBON	6.8K 5% 1/4W	R390	1-249-429-11	CARBON	10K 5% 1/4W
R210	1-249-429-11	CARBON	10K 5% 1/4W	R391	1-259-468-61	CARBON	47K 5% 1/6W
R211	1-249-429-11	CARBON	10K 5% 1/4W	R392	1-259-440-61	CARBON	3.3K 5% 1/6W
R212	1-247-887-00	CARBON	220K 5% 1/4W	R396	1-259-468-61	CARBON	47K 5% 1/6W
R213	1-259-468-61	CARBON	47K 5% 1/6W	R397	1-247-847-11	CARBON	4.7K 5% 1/4W
R214	1-249-429-11	CARBON	10K 5% 1/4W	△R398	1-249-409-11	CARBON	220 5% 1/4W F
R215	1-247-863-11	CARBON	22K 5% 1/4W	R400	1-247-863-11	CARBON	22K 5% 1/4W
△R220	1-249-393-11	CARBON	10 5% 1/4W F	R401	1-259-428-61	CARBON	1K 5% 1/6W
△R221	1-215-873-81	METAL OXIDE	4.7K 5% 1W F	R405	1-247-847-11	CARBON	4.7K 5% 1/4W
R222	1-259-420-61	CARBON	470 5% 1/6W	△R406	1-249-402-11	CARBON	56 5% 1/4W F
R233	1-247-847-11	CARBON	4.7K 5% 1/4W	R408	1-259-420-61	CARBON	470 5% 1/6W
△R234	1-249-393-11	CARBON	10 5% 1/4W F	R409	1-259-420-61	CARBON	470 5% 1/6W
R235	1-259-420-61	CARBON	470 5% 1/6W	R411	1-259-428-61	CARBON	1K 5% 1/6W
R236	1-247-883-00	CARBON	150K 5% 1/4W	R412	1-259-472-61	CARBON	68K 5% 1/6W
△R240	1-215-868-00	METAL OXIDE	680 5% 1W F	R415	1-259-472-61	CARBON	68K 5% 1/6W
R245	1-247-847-11	CARBON	4.7K 5% 1/4W	R416	1-259-436-61	CARBON	2.2K 5% 1/6W
△R246	1-249-402-11	CARBON	56 5% 1/4W F	R421	1-259-474-61	CARBON	82K 5% 1/6W
△R250	1-249-389-11	CARBON	4.7 5% 1/4W F	R422	1-259-436-61	CARBON	2.2K 5% 1/6W
R251	1-249-426-11	CARBON	5.6K 5% 1/4W	△R423	1-249-405-11	CARBON	100 5% 1/4W F
				R424	1-249-414-11	CARBON	560 5% 1/4W
				△R425	1-249-405-11	CARBON	100 5% 1/4W F

# STR-DA2100ES

**MAIN**

Ref. No.	Part No.	Description	Remark	Ref. No.	Part No.	Description	Remark
△ R426	1-240-855-81	CARBON	6.2K 5%	R532	1-249-435-11	CARBON	33K 5% 1/4W
R427	1-247-847-11	CARBON	4.7K 5%	R533	1-249-431-11	CARBON	15K 5% 1/4W
△ R428	1-234-182-11	ENCAPSULATED COMPONENT	F	R534	1-249-431-11	CARBON	15K 5% 1/4W
R429	1-249-419-11	CARBON	1.5K 5%	R535	1-259-468-61	CARBON	47K 5% 1/6W
R430	1-259-476-61	CARBON	100K 5%	R536	1-247-863-11	CARBON	22K 5% 1/4W
△ R431	1-249-393-11	CARBON	10 5%	R537	1-259-468-61	CARBON	47K 5% 1/6W
R432	1-249-435-11	CARBON	33K 5%	△ R539	1-249-389-11	CARBON	4.7 5% 1/4W F
R433	1-249-431-11	CARBON	15K 5%	R546	1-247-847-11	CARBON	4.7K 5% 1/4W
R434	1-249-431-11	CARBON	15K 5%	R551	1-259-428-61	CARBON	1K 5% 1/6W
R435	1-259-468-61	CARBON	47K 5%	R561	1-259-428-61	CARBON	1K 5% 1/6W
R436	1-247-863-11	CARBON	22K 5%	R562	1-259-472-61	CARBON	68K 5% 1/6W
R437	1-259-468-61	CARBON	47K 5%	R565	1-259-472-61	CARBON	68K 5% 1/6W
△ R439	1-249-389-11	CARBON	4.7 5%	R566	1-259-436-61	CARBON	2.2K 5% 1/6W
R440	1-259-468-61	CARBON	47K 5%	R571	1-259-474-61	CARBON	82K 5% 1/6W
R441	1-259-468-61	CARBON	47K 5%	R572	1-259-436-61	CARBON	2.2K 5% 1/6W
R446	1-247-847-11	CARBON	4.7K 5%	△ R573	1-249-405-11	CARBON	100 5% 1/4W F
R451	1-259-428-61	CARBON	1K 5%	R574	1-249-414-11	CARBON	560 5% 1/4W
R461	1-259-428-61	CARBON	1K 5%	△ R575	1-249-405-11	CARBON	100 5% 1/4W F
R462	1-259-472-61	CARBON	68K 5%	△ R576	1-240-855-81	CARBON	6.2K 5% 1/4W F
R465	1-259-472-61	CARBON	68K 5%	R577	1-247-847-11	CARBON	4.7K 5% 1/4W
R466	1-259-436-61	CARBON	2.2K 5%	△ R578	1-234-182-11	ENCAPSULATED COMPONENT	F
R471	1-259-474-61	CARBON	82K 5%	R579	1-249-419-11	CARBON	1.5K 5% 1/4W
R472	1-259-436-61	CARBON	2.2K 5%	R580	1-259-476-61	CARBON	100K 5% 1/6W
△ R473	1-249-405-11	CARBON	100 5%	△ R581	1-249-393-11	CARBON	10 5% 1/4W F
R474	1-249-414-11	CARBON	560 5%	R582	1-249-435-11	CARBON	33K 5% 1/4W
△ R475	1-249-405-11	CARBON	100 5%	R583	1-249-431-11	CARBON	15K 5% 1/4W
△ R476	1-240-855-81	CARBON	6.2K 5%	R584	1-249-431-11	CARBON	15K 5% 1/4W
R477	1-247-847-11	CARBON	4.7K 5%	R585	1-259-468-61	CARBON	47K 5% 1/6W
△ R478	1-234-182-11	ENCAPSULATED COMPONENT	F	R586	1-247-863-11	CARBON	22K 5% 1/4W
R479	1-249-419-11	CARBON	1.5K 5%	R587	1-259-468-61	CARBON	47K 5% 1/6W
R480	1-259-476-61	CARBON	100K 5%	△ R589	1-249-389-11	CARBON	4.7 5% 1/4W F
△ R481	1-249-393-11	CARBON	10 5%	R596	1-247-847-11	CARBON	4.7K 5% 1/4W
R482	1-249-435-11	CARBON	33K 5%	R600	1-247-863-11	CARBON	22K 5% 1/4W
R483	1-249-431-11	CARBON	15K 5%	R601	1-259-428-61	CARBON	1K 5% 1/6W
R484	1-249-431-11	CARBON	15K 5%	R605	1-247-847-11	CARBON	4.7K 5% 1/4W
R485	1-259-468-61	CARBON	47K 5%	△ R606	1-249-402-11	CARBON	56 5% 1/4W F
R486	1-247-863-11	CARBON	22K 5%	R611	1-259-428-61	CARBON	1K 5% 1/6W
R487	1-259-468-61	CARBON	47K 5%	R612	1-259-472-61	CARBON	68K 5% 1/6W
△ R489	1-249-389-11	CARBON	4.7 5%	R615	1-259-472-61	CARBON	68K 5% 1/6W
R496	1-247-847-11	CARBON	4.7K 5%	R616	1-259-436-61	CARBON	2.2K 5% 1/6W
R500	1-247-863-11	CARBON	22K 5%	R621	1-259-474-61	CARBON	82K 5% 1/6W
R501	1-259-428-61	CARBON	1K 5%	R622	1-259-436-61	CARBON	2.2K 5% 1/6W
R511	1-259-428-61	CARBON	1K 5%	△ R623	1-249-405-11	CARBON	100 5% 1/4W F
R512	1-259-472-61	CARBON	68K 5%	R624	1-249-414-11	CARBON	560 5% 1/4W
R515	1-259-472-61	CARBON	68K 5%	△ R625	1-249-405-11	CARBON	100 5% 1/4W F
R516	1-259-436-61	CARBON	2.2K 5%	△ R626	1-240-855-81	CARBON	6.2K 5% 1/4W F
R521	1-259-474-61	CARBON	82K 5%	R627	1-247-847-11	CARBON	4.7K 5% 1/4W
R522	1-259-436-61	CARBON	2.2K 5%	△ R628	1-234-182-11	ENCAPSULATED COMPONENT	F
△ R523	1-249-405-11	CARBON	100 5%	R629	1-249-419-11	CARBON	1.5K 5% 1/4W
R524	1-249-414-11	CARBON	560 5%	R630	1-259-476-61	CARBON	100K 5% 1/6W
△ R525	1-249-405-11	CARBON	100 5%	△ R631	1-249-393-11	CARBON	10 5% 1/4W F
△ R526	1-240-855-81	CARBON	6.2K 5%	R632	1-249-435-11	CARBON	33K 5% 1/4W
R527	1-247-847-11	CARBON	4.7K 5%	R633	1-249-431-11	CARBON	15K 5% 1/4W
△ R528	1-234-182-11	ENCAPSULATED COMPONENT	F	R634	1-249-431-11	CARBON	15K 5% 1/4W
R529	1-249-419-11	CARBON	1.5K 5%	R635	1-259-468-61	CARBON	47K 5% 1/6W
R530	1-259-476-61	CARBON	100K 5%	R636	1-247-863-11	CARBON	22K 5% 1/4W
△ R531	1-249-393-11	CARBON	10 5%	R637	1-259-468-61	CARBON	47K 5% 1/6W
				△ R639	1-249-389-11	CARBON	4.7 5% 1/4W F

MAIN	SPEAKER	STANDBY
------	---------	---------

Ref. No.	Part No.	Description	Remark	Ref. No.	Part No.	Description	Remark
R646	1-247-847-11	CARBON	4.7K 5% 1/4W	R825	1-247-847-11	CARBON	4.7K 5% 1/4W
R651	1-259-428-61	CARBON	1K 5% 1/6W	△R830	1-249-399-11	CARBON	33 5% 1/4W F
R656	1-249-429-11	CARBON	10K 5% 1/4W			< RELAY >	
R658	1-249-429-11	CARBON	10K 5% 1/4W	RY240	1-755-170-11	RELAY (12V)	
R661	1-259-428-61	CARBON	1K 5% 1/6W	RY300	1-755-486-11	RELAY	
R662	1-259-472-61	CARBON	68K 5% 1/6W	RY351	1-755-267-11	RELAY	
R665	1-259-472-61	CARBON	68K 5% 1/6W	RY400	1-755-170-11	RELAY (12V)	
R666	1-259-436-61	CARBON	2.2K 5% 1/6W	RY600	1-755-170-11	RELAY (12V)	
R671	1-259-474-61	CARBON	82K 5% 1/6W	RY700	1-755-170-11	RELAY (12V)	
R672	1-259-436-61	CARBON	2.2K 5% 1/6W	△RY802	1-755-520-11	RELAY	
△R673	1-249-405-11	CARBON	100 5% 1/4W F	△RY803	1-755-520-11	RELAY	
R674	1-249-414-11	CARBON	560 5% 1/4W			< SWITCH >	
△R675	1-249-405-11	CARBON	100 5% 1/4W F	S805	1-692-196-11	SWITCH, SLIDE (IMPEDANCE SELECTOR)	
△R676	1-240-855-81	CARBON	6.2K 5% 1/4W F			< TERMINAL >	
R677	1-247-847-11	CARBON	4.7K 5% 1/4W	TM601	1-780-214-11	TERMINAL BOARD (SP) (2P) (SPEAKERS CENTER)	
△R678	1-234-182-11	ENCAPSULATED COMPONENT		F			
R679	1-249-419-11	CARBON	1.5K 5% 1/4W	TM602	1-780-216-11	TERMINAL BOARD (SP) (8P) (SPEAKERS SURROUND/SURROUND BACK (2ND ZONE))	
R680	1-259-476-61	CARBON	100K 5% 1/6W			*****	
△R681	1-249-393-11	CARBON	10 5% 1/4W F			SPEAKER BOARD	
R682	1-249-435-11	CARBON	33K 5% 1/4W			*****	
R683	1-249-431-11	CARBON	15K 5% 1/4W			< CONNECTOR >	
R684	1-249-431-11	CARBON	15K 5% 1/4W	CNP851	1-785-102-11	PIN, CONNECTOR (3.96mm PITCH) 4P	
R685	1-259-468-61	CARBON	47K 5% 1/6W	CNP852	1-691-766-11	PLUG (MICRO CONNECTOR) 4P	
R686	1-247-863-11	CARBON	22K 5% 1/4W			< DIODE >	
R687	1-259-468-61	CARBON	47K 5% 1/6W	D2880	8-719-988-61	DIODE 1SS355TE-17	
△R689	1-249-389-11	CARBON	4.7 5% 1/4W F	D2881	8-719-988-61	DIODE 1SS355TE-17	
R696	1-247-847-11	CARBON	4.7K 5% 1/4W			< TRANSISTOR >	
R700	1-247-863-11	CARBON	22K 5% 1/4W	Q2880	8-729-230-49	TRANSISTOR 2SC2712-YG	
R701	1-259-428-61	CARBON	1K 5% 1/6W	Q2881	8-729-230-49	TRANSISTOR 2SC2712-YG	
R705	1-247-847-11	CARBON	4.7K 5% 1/4W			< RESISTOR >	
△R706	1-249-402-11	CARBON	56 5% 1/4W F	△R2870	1-249-402-11	CARBON	56 5% 1/4W F
R711	1-259-428-61	CARBON	1K 5% 1/6W	R2871	1-216-829-11	METAL CHIP	4.7K 5% 1/10W
R712	1-259-472-61	CARBON	68K 5% 1/6W	△R2872	1-249-402-11	CARBON	56 5% 1/4W F
R715	1-259-472-61	CARBON	68K 5% 1/6W	R2873	1-216-829-11	METAL CHIP	4.7K 5% 1/10W
R716	1-259-436-61	CARBON	2.2K 5% 1/6W			< RELAY >	
R721	1-259-474-61	CARBON	82K 5% 1/6W	RY2880	1-755-170-11	RELAY (12V)	
R722	1-259-436-61	CARBON	2.2K 5% 1/6W	RY2881	1-755-170-11	RELAY (12V)	
△R723	1-249-405-11	CARBON	100 5% 1/4W F			< TERMINAL >	
R724	1-249-414-11	CARBON	560 5% 1/4W	TM2880	1-780-216-11	TERMINAL BOARD (SP) (8P) (SPEAKERS FRONT A/B)	
△R725	1-249-405-11	CARBON	100 5% 1/4W F			*****	
△R726	1-240-855-81	CARBON	6.2K 5% 1/4W F			A-1095-108-A	STANDBY BOARD, COMPLETE
R727	1-247-847-11	CARBON	4.7K 5% 1/4W			*****	
△R728	1-234-182-11	ENCAPSULATED COMPONENT				1-533-293-11	FUSE HOLDER
R729	1-249-419-11	CARBON	1.5K 5% 1/4W				
R730	1-259-476-61	CARBON	100K 5% 1/6W				
△R731	1-249-393-11	CARBON	10 5% 1/4W F				
R732	1-249-435-11	CARBON	33K 5% 1/4W				
R733	1-249-431-11	CARBON	15K 5% 1/4W				
R734	1-249-431-11	CARBON	15K 5% 1/4W				
R735	1-259-468-61	CARBON	47K 5% 1/6W				
R736	1-247-863-11	CARBON	22K 5% 1/4W				
R737	1-259-468-61	CARBON	47K 5% 1/6W				
△R739	1-249-389-11	CARBON	4.7 5% 1/4W F				
R746	1-247-847-11	CARBON	4.7K 5% 1/4W				
R751	1-247-847-11	CARBON	4.7K 5% 1/4W				
R752	1-247-847-11	CARBON	4.7K 5% 1/4W				
R824	1-247-847-11	CARBON	4.7K 5% 1/4W				

# STR-DA2100ES

**STANDBY** **SVIDEO**

Ref. No.	Part No.	Description	Remark		
< CAPACITOR >					
C851	1-126-936-11	ELECT	3300uF	20%	16V
C852	1-107-826-11	CERAMIC CHIP	0.1uF	10%	16V
C853	1-107-826-11	CERAMIC CHIP	0.1uF	10%	16V
C861	1-107-826-11	CERAMIC CHIP	0.1uF	10%	16V
C862	1-107-826-11	CERAMIC CHIP	0.1uF	10%	16V
C863	1-126-941-11	ELECT	470uF	20%	25V
C864	1-126-943-11	ELECT	2200uF	20%	25V
C901	1-107-826-11	CERAMIC CHIP	0.1uF	10%	16V
C902	1-107-826-11	CERAMIC CHIP	0.1uF	10%	16V
C903	1-107-826-11	CERAMIC CHIP	0.1uF	10%	16V
C921	1-107-826-11	CERAMIC CHIP	0.1uF	10%	16V
C922	1-107-826-11	CERAMIC CHIP	0.1uF	10%	16V
C923	1-126-959-11	ELECT	0.47uF	20%	50V
C924	1-126-936-11	ELECT	3300uF	20%	16V
C925	1-126-942-61	ELECT	1000uF	20%	25V
C926	1-107-826-11	CERAMIC CHIP	0.1uF	10%	16V
< CONNECTOR >					
CNP813	1-784-926-11	PIN, CONNECTOR 11P			
CNP815	1-691-767-11	PLUG (MICRO CONNECTOR) 5P			
* CNP905	1-565-792-11	PIN, CONNECTOR (3.96mm PITCH) 2P			
< DIODE >					
D851	8-719-053-18	DIODE	1SR154-400TE-25		
D852	8-719-053-18	DIODE	1SR154-400TE-25		
D853	8-719-053-18	DIODE	1SR154-400TE-25		
D854	8-719-053-18	DIODE	1SR154-400TE-25		
D865	6-501-068-01	DIODE	D4SBN20-7001		
D911	8-719-988-61	DIODE	1SS355TE-17		
D921	8-719-048-98	DIODE	RB160L-40TE25		
D922	8-719-048-98	DIODE	RB160L-40TE25		
D923	8-719-048-98	DIODE	RB160L-40TE25		
D924	8-719-048-98	DIODE	RB160L-40TE25		
D925	8-719-988-61	DIODE	1SS355TE-17		
D926	8-719-988-61	DIODE	1SS355TE-17		
D927	8-719-053-18	DIODE	1SR154-400TE-25		
< JACK >					
△ J910	1-816-148-11	INLET, AC (AC INLET)			
△ J911	1-251-718-11	OUTLET (2 GANG), AC (AC OUTLET)			
< TRANSISTOR >					
Q911	8-729-230-49	TRANSISTOR	2SC2712-YG		
Q912	8-729-230-49	TRANSISTOR	2SC2712-YG		
Q913	8-729-140-93	TRANSISTOR	2SB733-34		
Q921	8-729-230-49	TRANSISTOR	2SC2712-YG		
< RESISTOR >					
△ R851	1-240-877-11	FUSIBLE	0.15	5%	1/2W F
△ R861	1-219-591-11	FUSIBLE	0.1	5%	1/2W F
△ R862	1-219-591-11	FUSIBLE	0.1	5%	1/2W F
△ R901	1-219-237-11	SOLID	3.3M	20%	1/2W F
R904	1-249-381-11	CARBON	1	5%	1/4W
R912	1-216-841-11	METAL CHIP	47K	5%	1/10W
R913	1-216-829-11	METAL CHIP	4.7K	5%	1/10W
R921	1-216-841-11	METAL CHIP	47K	5%	1/10W

Ref. No.	Part No.	Description	Remark		
R922	1-216-837-11	METAL CHIP	22K	5%	1/10W
R923	1-216-833-11	METAL CHIP	10K	5%	1/10W
R924	1-216-825-11	METAL CHIP	2.2K	5%	1/10W
< RELAY >					
△ RY911	1-755-541-11	RELAY			
< TRANSFORMER >					
△ T902	1-437-312-11	TRANSFORMER, POWER			
*****					
A-1095-074-A	SVIDEO BOARD, COMPLETE				
*****					
< CAPACITOR >					
C2106	1-162-962-11	CERAMIC CHIP	470PF	10%	50V
C2107	1-162-923-11	CERAMIC CHIP	47PF	5%	50V
C2108	1-162-923-11	CERAMIC CHIP	47PF	5%	50V
C2109	1-126-964-11	ELECT	10uF	20%	50V
C2110	1-100-566-91	CERAMIC CHIP	0.1uF	10%	25V
C2111	1-126-964-11	ELECT	10uF	20%	50V
C2112	1-100-566-91	CERAMIC CHIP	0.1uF	10%	25V
C2113	1-162-962-11	CERAMIC CHIP	470PF	10%	50V
C2114	1-164-156-11	CERAMIC CHIP	0.1uF		25V
C2115	1-162-923-11	CERAMIC CHIP	47PF	5%	50V
C2116	1-162-923-11	CERAMIC CHIP	47PF	5%	50V
C2117	1-126-964-11	ELECT	10uF	20%	50V
C2118	1-100-566-91	CERAMIC CHIP	0.1uF	10%	25V
C2119	1-162-962-11	CERAMIC CHIP	470PF	10%	50V
C2120	1-164-156-11	CERAMIC CHIP	0.1uF		25V
C2121	1-126-947-11	ELECT	47uF	20%	35V
C2124	1-126-947-11	ELECT	47uF	20%	35V
C2125	1-164-156-11	CERAMIC CHIP	0.1uF		25V
C2126	1-126-964-11	ELECT	10uF	20%	50V
C2127	1-164-156-11	CERAMIC CHIP	0.1uF		25V
C2128	1-100-566-91	CERAMIC CHIP	0.1uF	10%	25V
< CONNECTOR >					
CNP205	1-784-921-11	PIN, CONNECTOR 4P			
CNS202	1-784-774-11	CONNECTOR, FFC 13P			
CNS204	1-784-766-11	CONNECTOR, FFC 5P			
< DIODE >					
D2102	8-719-988-61	DIODE	1SS355TE-17		
D2103	8-719-988-61	DIODE	1SS355TE-17		
< IC >					
IC2101	6-704-199-01	IC NJM2595M-TE2			
IC2102	6-704-199-01	IC NJM2595M-TE2			
< CONNECTOR >					
J2104	1-537-943-11	TERMINAL, S (MONITOR S-VIDEO OUT)			
J2105	1-794-937-11	CONNECTOR (DIN) 2P (DVD S-VIDEO IN, TV/SAT S-VIDEO IN)			
J2106	1-794-937-11	CONNECTOR (DIN) 2P (VIDEO 1 S-VIDEO IN/OUT)			



Ref. No.	Part No.	Description				Remark	Ref. No.	Part No.	Description				Remark
< RESISTOR >							C3503	1-100-566-91	CERAMIC CHIP	0.1uF	10%	25V	
R2102	1-218-285-11	METAL CHIP	75	5%	1/10W		C3504	1-126-947-11	ELECT	47uF	20%	35V	
R2103	1-218-285-11	METAL CHIP	75	5%	1/10W		C3505	1-100-566-91	CERAMIC CHIP	0.1uF	10%	25V	
R2104	1-218-285-11	METAL CHIP	75	5%	1/10W		C3506	1-162-927-11	CERAMIC CHIP	100PF	5%	50V	
R2105	1-218-285-11	METAL CHIP	75	5%	1/10W		C3507	1-126-964-11	ELECT	10uF	20%	50V	
R2106	1-218-285-11	METAL CHIP	75	5%	1/10W		C3508	1-126-964-11	ELECT	10uF	20%	50V	
R2107	1-218-285-11	METAL CHIP	75	5%	1/10W		C3510	1-162-919-11	CERAMIC CHIP	22PF	5%	50V	
R2108	1-218-285-11	METAL CHIP	75	5%	1/10W		C3511	1-162-913-11	CERAMIC CHIP	8PF	0.5PF	50V	
R2109	1-218-285-11	METAL CHIP	75	5%	1/10W		C3512	1-100-566-91	CERAMIC CHIP	0.1uF	10%	25V	
R2110	1-218-285-11	METAL CHIP	75	5%	1/10W		C3513	1-126-927-11	ELECT	2200uF	20%	10V	
R2111	1-218-285-11	METAL CHIP	75	5%	1/10W		C3514	1-100-566-91	CERAMIC CHIP	0.1uF	10%	25V	
R2112	1-218-285-11	METAL CHIP	75	5%	1/10W		C3601	1-100-566-91	CERAMIC CHIP	0.1uF	10%	25V	
R2113	1-218-285-11	METAL CHIP	75	5%	1/10W		C3602	1-162-964-11	CERAMIC CHIP	0.001uF	10%	50V	
R2114	1-218-285-11	METAL CHIP	75	5%	1/10W		C3603	1-100-566-91	CERAMIC CHIP	0.1uF	10%	25V	
*****													
A-1095-071-A	VIDEO BOARD, COMPLETE						C3604	1-162-995-11	CERAMIC CHIP	0.022uF		50V	
*****													
7-685-646-79	SCREW +BVTP 3X8 TYPE2 IT-3						C3605	1-100-566-91	CERAMIC CHIP	0.1uF	10%	25V	
< CAPACITOR >							C3606	1-126-964-11	ELECT	10uF	20%	50V	
C2335	1-126-947-11	ELECT	47uF	20%	35V		C3607	1-162-974-11	CERAMIC CHIP	0.01uF		50V	
C2336	1-126-947-11	ELECT	47uF	20%	35V		C3608	1-100-566-91	CERAMIC CHIP	0.1uF	10%	25V	
C2337	1-100-566-91	CERAMIC CHIP	0.1uF	10%	25V		C3609	1-162-974-11	CERAMIC CHIP	0.01uF		50V	
C2338	1-100-566-91	CERAMIC CHIP	0.1uF	10%	25V		C3610	1-100-566-91	CERAMIC CHIP	0.1uF	10%	25V	
C2339	1-126-947-11	ELECT	47uF	20%	35V		C3611	1-100-566-91	CERAMIC CHIP	0.1uF	10%	25V	
C2340	1-100-566-91	CERAMIC CHIP	0.1uF	10%	25V		C3612	1-100-566-91	CERAMIC CHIP	0.1uF	10%	25V	
C2377	1-126-947-11	ELECT	47uF	20%	35V		C3613	1-100-566-91	CERAMIC CHIP	0.1uF	10%	25V	
C2379	1-100-566-91	CERAMIC CHIP	0.1uF	10%	25V		C3614	1-100-566-91	CERAMIC CHIP	0.1uF	10%	25V	
C3201	1-126-947-11	ELECT	47uF	20%	35V		C3615	1-100-566-91	CERAMIC CHIP	0.1uF	10%	25V	
C3202	1-100-566-91	CERAMIC CHIP	0.1uF	10%	25V		C3616	1-126-935-11	ELECT	470uF	20%	16V	
C3205	1-100-566-91	CERAMIC CHIP	0.1uF	10%	25V		C3621	1-162-917-11	CERAMIC CHIP	15PF	5%	50V	
C3206	1-126-947-11	ELECT	47uF	20%	35V		C3622	1-104-665-11	ELECT	100uF	20%	25V	
C3207	1-126-964-11	ELECT	10uF	20%	50V		C3623	1-126-964-11	ELECT	10uF	20%	50V	
C3208	1-126-964-11	ELECT	10uF	20%	50V		C3631	1-162-917-11	CERAMIC CHIP	15PF	5%	50V	
C3209	1-162-923-11	CERAMIC CHIP	47PF	5%	50V		C3632	1-131-679-31	FILM	0.01uF	5%	50V	
C3210	1-126-964-11	ELECT	10uF	20%	50V		C3633	1-136-165-00	FILM	0.1uF	5%	50V	
C3211	1-162-923-11	CERAMIC CHIP	47PF	5%	50V		C3641	1-126-964-11	ELECT	10uF	20%	50V	
C3212	1-126-964-11	ELECT	10uF	20%	50V		C3646	1-100-566-91	CERAMIC CHIP	0.1uF	10%	25V	
C3213	1-162-923-11	CERAMIC CHIP	47PF	5%	50V		C3648	1-164-160-11	CERAMIC CHIP	20PF	5%	50V	
C3214	1-126-964-11	ELECT	10uF	20%	50V		C3651	1-162-966-11	CERAMIC CHIP	0.0022uF	10%	50V	
C3215	1-162-966-11	CERAMIC CHIP	0.0022uF	10%	50V		C3652	1-162-966-11	CERAMIC CHIP	0.0022uF	10%	50V	
C3216	1-162-966-11	CERAMIC CHIP	0.0022uF	10%	50V		C3653	1-100-566-91	CERAMIC CHIP	0.1uF	10%	25V	
C3217	1-162-966-11	CERAMIC CHIP	0.0022uF	10%	50V		C3671	1-126-964-11	ELECT	10uF	20%	50V	
C3255	1-162-966-11	CERAMIC CHIP	0.0022uF	10%	50V		C3672	1-126-964-11	ELECT	10uF	20%	50V	
C3275	1-126-964-11	ELECT	10uF	20%	50V		C3673	1-126-964-11	ELECT	10uF	20%	50V	
C3276	1-100-566-91	CERAMIC CHIP	0.1uF	10%	25V		C3674	1-162-970-11	CERAMIC CHIP	0.01uF	10%	25V	
C3277	1-126-916-11	ELECT	1000uF	20%	6.3V		C3675	1-126-947-11	ELECT	47uF	20%	35V	
C3278	1-126-933-11	ELECT	100uF	20%	16V		C3676	1-126-947-11	ELECT	47uF	20%	35V	
C3279	1-126-962-11	ELECT	3.3uF	20%	50V		C3677	1-162-970-11	CERAMIC CHIP	0.01uF	10%	25V	
C3321	1-162-970-11	CERAMIC CHIP	0.01uF	10%	25V		C3678	1-162-970-11	CERAMIC CHIP	0.01uF	10%	25V	
C3322	1-162-970-11	CERAMIC CHIP	0.01uF	10%	25V		C3679	1-162-970-11	CERAMIC CHIP	0.01uF	10%	25V	
C3323	1-126-964-11	ELECT	10uF	20%	50V		C3701	1-126-960-11	ELECT	1uF	20%	50V	
C3324	1-126-964-11	ELECT	10uF	20%	50V		C3702	1-126-960-11	ELECT	1uF	20%	50V	
C3325	1-126-964-11	ELECT	10uF	20%	50V		C3703	1-136-165-00	FILM	0.1uF	5%	50V	
C3501	1-162-921-11	CERAMIC CHIP	33PF	5%	50V		C3704	1-136-165-00	FILM	0.1uF	5%	50V	
C3502	1-162-917-11	CERAMIC CHIP	15PF	5%	50V		C3705	1-136-165-00	FILM	0.1uF	5%	50V	
							C3706	1-136-165-00	FILM	0.1uF	5%	50V	
							C3707	1-162-917-11	CERAMIC CHIP	15PF	5%	50V	
							C3708	1-162-917-11	CERAMIC CHIP	15PF	5%	50V	
							C3709	1-126-959-11	ELECT	0.47uF	20%	50V	
							C3710	1-164-315-11	CERAMIC CHIP	470PF	5%	50V	

# STR-DA2100ES

## VIDEO

Ref. No.	Part No.	Description	Value	Tolerance	Remark
C3711	1-100-566-91	CERAMIC CHIP	0.1uF	10%	25V
C3712	1-126-941-11	ELECT	470uF	20%	25V
C3713	1-126-959-11	ELECT	0.47uF	20%	50V
C3714	1-126-960-11	ELECT	1uF	20%	50V
C3715	1-162-968-11	CERAMIC CHIP	0.0047uF	10%	50V
C3716	1-136-165-00	MYLAR	0.1uF	5%	50V
C3717	1-126-959-11	ELECT	0.47uF	20%	50V
C3718	1-162-970-11	CERAMIC CHIP	0.01uF	10%	25V
C3719	1-126-960-11	ELECT	1uF	20%	50V
C3720	1-162-927-11	CERAMIC CHIP	100PF	5%	50V
C3722	1-100-566-91	CERAMIC CHIP	0.1uF	10%	25V
C3731	1-126-962-11	ELECT	3.3uF	20%	50V
C3732	1-126-933-11	ELECT	100uF	20%	16V
C3733	1-126-916-11	ELECT	1000uF	20%	6.3V
C3734	1-100-566-91	CERAMIC CHIP	0.1uF	10%	25V
C3741	1-126-963-11	ELECT	4.7uF	20%	50V
C3743	1-126-963-11	ELECT	4.7uF	20%	50V
C3744	1-126-965-11	ELECT	22uF	20%	50V
C3745	1-126-933-11	ELECT	100uF	20%	16V
C3746	1-100-566-91	CERAMIC CHIP	0.1uF	10%	25V
C3751	1-100-566-91	CERAMIC CHIP	0.1uF	10%	25V
C3752	1-162-966-11	CERAMIC CHIP	0.0022uF	10%	50V
C3753	1-162-966-11	CERAMIC CHIP	0.0022uF	10%	50V
C3818	1-126-933-11	ELECT	100uF	20%	16V
< CONNECTOR >					
CNP207	1-779-977-11	PIN, CONNECTOR 6P			
CNP210	1-568-830-11	CONNECTOR, FFC 11P			
CNP3501	1-784-921-11	PIN, CONNECTOR 4P			
CNP850	1-564-506-11	PLUG, CONNECTOR 3P			
CNS201	1-784-774-11	CONNECTOR, FFC 13P			
< TRIMMER >					
CT3502	1-141-442-91	CAP, CERAMIC TRIMMER			
< DIODE/JUMPER RESISTOR >					
D3101	1-216-296-11	SHORT CHIP	0		
D3102	1-216-296-11	SHORT CHIP	0		
D3103	1-216-296-11	SHORT CHIP	0		
D3104	1-216-296-11	SHORT CHIP	0		
D3105	1-216-296-11	SHORT CHIP	0		
D3106	1-216-296-11	SHORT CHIP	0		
D3107	1-216-296-11	SHORT CHIP	0		
D3108	1-216-296-11	SHORT CHIP	0		
D3109	1-216-296-11	SHORT CHIP	0		
D3110	1-216-296-11	SHORT CHIP	0		
D3201	8-719-988-61	DIODE	1SS355TE-17		
D3202	8-719-988-61	DIODE	1SS355TE-17		
D3253	8-719-988-61	DIODE	1SS355TE-17		
D3254	8-719-988-61	DIODE	1SS355TE-17		
D3301	8-719-988-61	DIODE	1SS355TE-17		
D3302	8-719-988-61	DIODE	1SS355TE-17		
D3303	8-719-988-61	DIODE	1SS355TE-17		
D3601	8-719-988-61	DIODE	1SS355TE-17		
D3602	8-719-988-61	DIODE	1SS355TE-17		
D3731	8-719-988-61	DIODE	1SS355TE-17		
D3732	8-719-988-61	DIODE	1SS355TE-17		

Ref. No.	Part No.	Description	Value	Remark
D3733	8-719-988-61	DIODE	1SS355TE-17	
< FERRITE BEAD >				
FB3252	1-400-862-11	BEAD, FERRITE		
FB3501	1-400-862-11	BEAD, FERRITE		
FB3601	1-400-862-11	BEAD, FERRITE		
FB3602	1-400-862-11	BEAD, FERRITE		
FB3603	1-400-862-11	BEAD, FERRITE		
FB3661	1-400-862-11	BEAD, FERRITE		
FB3662	1-400-862-11	BEAD, FERRITE		
FB3701	1-400-862-11	BEAD, FERRITE		
FB3703	1-400-862-11	BEAD, FERRITE		
< FILTER >				
FL3621	1-239-847-11	FILTER, LOW PASS		
FL3631	1-239-847-11	FILTER, LOW PASS		
< IC >				
IC3101	8-759-394-35	IC	BA12T	
IC3102	8-759-701-59	IC	NJM78M09FA	
IC3103	8-759-231-53	IC	TA7805S	
IC3104	8-759-245-79	IC	TA79005S	
IC3201	6-704-199-01	IC	NJM2595M-TE2	
IC3253	8-759-822-05	IC	LA7213	
IC3321	8-759-663-94	IC	LA7106M-TLM	
IC3501	6-700-367-01	IC	MB90089PF-G-238-BND	
IC3601	8-752-386-17	IC	CXD2064Q	
IC3651	8-759-671-94	IC	MC74HC4053AFEL	
IC3671	8-759-663-94	IC	LA7106M-TLM	
IC3701	8-752-109-74	IC	CXA2199Q	
IC3731	8-759-822-05	IC	LA7213	
IC3741	8-759-429-17	IC	NJM2268V (TE2)	
IC3751	8-759-671-94	IC	MC74HC4053AFEL	
< JACK >				
J3101	1-695-317-11	JACK, PIN 2P (TV/SAT VIDEO IN, DVD VIDEO IN)		
J3102	1-695-317-11	JACK, PIN 2P (VIDEO 2 VIDEO IN/OUT)		
J3103	1-770-337-11	JACK, PIN 3P (VIDEO 1 VIDEO IN/OUT, MONITOR VIDEO OUT)		
J3104	1-816-592-11	JACK, PIN 9P (COMPONENT VIDEO ASSIGNABLE)		
< JUMPER RESISTOR >				
JR2330	1-216-864-11	SHORT CHIP	0	
< COIL >				
L3501	1-410-385-11	INDUCTOR	22uH	
< TRANSISTOR >				
Q3252	8-729-027-59	TRANSISTOR	DTC144EKA-T146	
Q3301	8-729-230-49	TRANSISTOR	2SC2712-YG	
Q3302	8-729-230-49	TRANSISTOR	2SC2712-YG	
Q3304	8-729-230-49	TRANSISTOR	2SC2712-YG	
Q3501	8-729-140-97	TRANSISTOR	2SB734-34	
Q3502	8-729-027-43	TRANSISTOR	DTC114EKA-T146	
Q3503	8-729-216-22	TRANSISTOR	2SA1162-G	
Q3601	8-729-230-49	TRANSISTOR	2SC2712-YG	

Ref. No.	Part No.	Description	Remark	Ref. No.	Part No.	Description	Remark
Q3604	8-729-230-49	TRANSISTOR	2SC2712-YG	R3508	1-216-814-11	METAL CHIP	270 5% 1/10W
Q3621	8-729-216-22	TRANSISTOR	2SA1162-G	R3513	1-216-837-11	METAL CHIP	22K 5% 1/10W
Q3622	8-729-230-49	TRANSISTOR	2SC2712-YG	R3514	1-216-837-11	METAL CHIP	22K 5% 1/10W
Q3631	8-729-216-22	TRANSISTOR	2SA1162-G	R3515	1-216-837-11	METAL CHIP	22K 5% 1/10W
Q3632	8-729-230-49	TRANSISTOR	2SC2712-YG	R3516	1-216-864-11	SHORT CHIP	0
Q3651	8-729-230-49	TRANSISTOR	2SC2712-YG	R3517	1-216-864-11	SHORT CHIP	0
Q3652	8-729-230-49	TRANSISTOR	2SC2712-YG	R3518	1-216-864-11	SHORT CHIP	0
Q3653	8-729-230-49	TRANSISTOR	2SC2712-YG	R3603	1-216-842-11	METAL CHIP	56K 5% 1/10W
Q3671	8-729-216-22	TRANSISTOR	2SA1162-G	R3604	1-216-818-11	METAL CHIP	560 5% 1/10W
Q3672	8-729-230-49	TRANSISTOR	2SC2712-YG	R3605	1-216-827-11	METAL CHIP	3.3K 5% 1/10W
Q3673	8-729-216-22	TRANSISTOR	2SA1162-G	R3606	1-216-825-11	METAL CHIP	2.2K 5% 1/10W
Q3674	8-729-230-49	TRANSISTOR	2SC2712-YG	R3607	1-216-826-11	METAL CHIP	2.7K 5% 1/10W
Q3675	8-729-216-22	TRANSISTOR	2SA1162-G	R3610	1-216-809-11	METAL CHIP	100 5% 1/10W
Q3676	8-729-230-49	TRANSISTOR	2SC2712-YG	R3611	1-216-821-11	METAL CHIP	1K 5% 1/10W
Q3677	8-729-027-43	TRANSISTOR	DTC114EKA-T146	R3612	1-216-817-11	METAL CHIP	470 5% 1/10W
Q3678	8-729-027-23	TRANSISTOR	DTA114EKA-T146	R3619	1-216-821-11	METAL CHIP	1K 5% 1/10W
Q3701	8-729-216-22	TRANSISTOR	2SA1162-G	R3621	1-216-811-11	METAL CHIP	150 5% 1/10W
Q3731	8-729-027-59	TRANSISTOR	DTC144EKA-T146	R3622	1-216-809-11	METAL CHIP	100 5% 1/10W
		< RESISTOR >		R3623	1-216-821-11	METAL CHIP	1K 5% 1/10W
R2331	1-216-296-11	SHORT CHIP	0	R3624	1-216-818-11	METAL CHIP	560 5% 1/10W
R3201	1-216-809-11	METAL CHIP	100 5% 1/10W	R3625	1-216-830-11	METAL CHIP	5.6K 5% 1/10W
R3202	1-216-809-11	METAL CHIP	100 5% 1/10W	R3626	1-216-839-11	METAL CHIP	33K 5% 1/10W
R3203	1-216-809-11	METAL CHIP	100 5% 1/10W	R3627	1-216-837-11	METAL CHIP	22K 5% 1/10W
R3204	1-216-809-11	METAL CHIP	100 5% 1/10W	R3628	1-216-821-11	METAL CHIP	1K 5% 1/10W
R3207	1-218-285-11	METAL CHIP	75 5% 1/10W	R3630	1-216-833-11	METAL CHIP	10K 5% 1/10W
R3208	1-218-285-11	METAL CHIP	75 5% 1/10W	R3631	1-216-811-11	METAL CHIP	150 5% 1/10W
R3209	1-218-285-11	METAL CHIP	75 5% 1/10W	R3632	1-216-809-11	METAL CHIP	100 5% 1/10W
R3210	1-218-285-11	METAL CHIP	75 5% 1/10W	R3633	1-216-821-11	METAL CHIP	1K 5% 1/10W
R3211	1-218-285-11	METAL CHIP	75 5% 1/10W	R3634	1-216-818-11	METAL CHIP	560 5% 1/10W
R3212	1-218-285-11	METAL CHIP	75 5% 1/10W	R3635	1-216-830-11	METAL CHIP	5.6K 5% 1/10W
R3213	1-218-285-11	METAL CHIP	75 5% 1/10W	R3636	1-216-839-11	METAL CHIP	33K 5% 1/10W
R3275	1-216-825-11	METAL CHIP	2.2K 5% 1/10W	R3637	1-216-837-11	METAL CHIP	22K 5% 1/10W
R3276	1-216-829-11	METAL CHIP	4.7K 5% 1/10W	R3638	1-216-821-11	METAL CHIP	1K 5% 1/10W
R3277	1-216-847-11	METAL CHIP	150K 5% 1/10W	R3651	1-216-841-11	METAL CHIP	47K 5% 1/10W
R3278	1-216-815-11	METAL CHIP	330 5% 1/10W	R3652	1-216-841-11	METAL CHIP	47K 5% 1/10W
R3301	1-218-285-11	METAL CHIP	75 5% 1/10W	R3653	1-216-809-11	METAL CHIP	100 5% 1/10W
R3302	1-218-285-11	METAL CHIP	75 5% 1/10W	R3654	1-216-823-11	METAL CHIP	1.5K 5% 1/10W
R3303	1-218-285-11	METAL CHIP	75 5% 1/10W	R3655	1-216-817-11	METAL CHIP	470 5% 1/10W
R3304	1-216-825-11	METAL CHIP	2.2K 5% 1/10W	R3656	1-216-821-11	METAL CHIP	1K 5% 1/10W
R3305	1-216-833-11	METAL CHIP	10K 5% 1/10W	R3657	1-216-823-11	METAL CHIP	1.5K 5% 1/10W
R3306	1-216-829-11	METAL CHIP	4.7K 5% 1/10W	R3658	1-216-821-11	METAL CHIP	1K 5% 1/10W
R3307	1-216-833-11	METAL CHIP	10K 5% 1/10W	R3659	1-216-809-11	METAL CHIP	100 5% 1/10W
R3315	1-216-833-11	METAL CHIP	10K 5% 1/10W	R3670	1-216-864-11	SHORT CHIP	0
R3316	1-216-864-11	SHORT CHIP	0	R3671	1-216-813-11	METAL CHIP	220 5% 1/10W
R3321	1-216-833-11	METAL CHIP	10K 5% 1/10W	R3672	1-216-818-11	METAL CHIP	560 5% 1/10W
R3322	1-216-833-11	METAL CHIP	10K 5% 1/10W	R3673	1-216-818-11	METAL CHIP	560 5% 1/10W
R3323	1-216-833-11	METAL CHIP	10K 5% 1/10W	R3674	1-216-839-11	METAL CHIP	33K 5% 1/10W
R3324	1-216-809-11	METAL CHIP	100 5% 1/10W	R3675	1-216-841-11	METAL CHIP	47K 5% 1/10W
R3404	1-216-821-11	METAL CHIP	1K 5% 1/10W	R3676	1-216-821-11	METAL CHIP	1K 5% 1/10W
R3501	1-216-833-11	METAL CHIP	10K 5% 1/10W	R3677	1-216-813-11	METAL CHIP	220 5% 1/10W
R3502	1-216-825-11	METAL CHIP	2.2K 5% 1/10W	R3678	1-216-818-11	METAL CHIP	560 5% 1/10W
R3503	1-216-833-11	METAL CHIP	10K 5% 1/10W	R3679	1-216-818-11	METAL CHIP	560 5% 1/10W
R3504	1-216-809-11	METAL CHIP	100 5% 1/10W	R3680	1-216-845-11	METAL CHIP	100K 5% 1/10W
R3505	1-216-809-11	METAL CHIP	100 5% 1/10W	R3681	1-216-839-11	METAL CHIP	33K 5% 1/10W
R3506	1-216-809-11	METAL CHIP	100 5% 1/10W	R3682	1-216-821-11	METAL CHIP	1K 5% 1/10W
R3507	1-216-829-11	METAL CHIP	4.7K 5% 1/10W	R3683	1-216-813-11	METAL CHIP	220 5% 1/10W
				R3684	1-216-818-11	METAL CHIP	560 5% 1/10W
				R3685	1-216-818-11	METAL CHIP	560 5% 1/10W

# STR-DA2100ES

**VIDEO** **VIDEO (AU)** **VOLUME**

Ref. No.	Part No.	Description	Remark
R3686	1-216-841-11	METAL CHIP	47K 5% 1/10W
R3687	1-216-839-11	METAL CHIP	33K 5% 1/10W
R3688	1-216-821-11	METAL CHIP	1K 5% 1/10W
R3689	1-216-833-11	METAL CHIP	10K 5% 1/10W
R3690	1-216-841-11	METAL CHIP	47K 5% 1/10W
R3701	1-216-823-11	METAL CHIP	1.5K 5% 1/10W
R3702	1-216-817-11	METAL CHIP	470 5% 1/10W
R3703	1-216-835-11	METAL CHIP	15K 5% 1/10W
R3704	1-216-841-11	METAL CHIP	47K 5% 1/10W
R3705	1-216-809-11	METAL CHIP	100 5% 1/10W
R3706	1-216-809-11	METAL CHIP	100 5% 1/10W
R3707	1-216-809-11	METAL CHIP	100 5% 1/10W
R3708	1-216-813-11	METAL CHIP	220 5% 1/10W
R3709	1-216-851-11	METAL CHIP	330K 5% 1/10W
R3710	1-216-815-11	METAL CHIP	330 5% 1/10W
R3711	1-216-832-11	METAL CHIP	8.2K 5% 1/10W
R3712	1-216-833-11	METAL CHIP	10K 5% 1/10W
R3713	1-216-825-11	METAL CHIP	2.2K 5% 1/10W
R3714	1-216-827-11	METAL CHIP	3.3K 5% 1/10W
R3717	1-216-848-11	METAL CHIP	180K 5% 1/10W
R3731	1-216-815-11	METAL CHIP	330 5% 1/10W
R3732	1-216-847-11	METAL CHIP	150K 5% 1/10W
R3733	1-216-829-11	METAL CHIP	4.7K 5% 1/10W
R3734	1-216-864-11	SHORT CHIP	0
R3735	1-216-821-11	METAL CHIP	1K 5% 1/10W
R3741	1-216-857-11	METAL CHIP	1M 5% 1/10W
R3751	1-216-845-11	METAL CHIP	100K 5% 1/10W
R3801	1-216-864-11	SHORT CHIP	0
R3802	1-216-864-11	SHORT CHIP	0
R3803	1-216-864-11	SHORT CHIP	0
< RELAY >			
RY3301	1-755-359-11	RELAY	
RY3302	1-755-359-11	RELAY	
RY3303	1-755-359-11	RELAY	
RY3304	1-755-359-11	RELAY	
< VIBRATOR >			
X3501	1-781-821-21	VIBRATOR, CRYSTAL (14.31MHz)	
X3701	1-781-342-21	OSCILLATOR, CRYSTAL (3.5795MHz)	
X3702	1-781-134-21	VIBRATOR, CRYSTAL (4.43MHz)	
X3703	1-577-611-11	OSCILALTOR, CERAMIC (500kHz)	
*****			
A-1095-075-A	VIDEO (AU) BOARD, COMPLETE		
*****			
< CAPACITOR >			
C2552	1-162-966-11	CERAMIC CHIP	0.0022uF 10% 50V
C2554	1-126-964-11	ELECT	10uF 20% 50V
C2555	1-126-964-11	ELECT	10uF 20% 50V
C2556	1-126-964-11	ELECT	10uF 20% 50V
C2557	1-126-964-11	ELECT	10uF 20% 50V
C2559	1-162-966-11	CERAMIC CHIP	0.0022uF 10% 50V
C2565	1-126-947-11	ELECT	47uF 20% 35V
C2566	1-126-947-11	ELECT	47uF 20% 35V

Ref. No.	Part No.	Description	Remark
< CONNECTOR >			
CNP208	1-779-799-11	PIN, CONNECTOR 9P	
CNP209	1-779-978-11	PIN, CONNECTOR 3P	
< IC >			
IC2560	6-703-518-01	IC BD3842FS-FD2	
< JACK >			
J2552	1-774-411-11	JACK, PIN 6P (TV/SAT AUDIO IN, DVD AUDIO IN, VIDEO 2 AUDIO OUT)	
J2553	1-774-411-11	JACK, PIN 6P (VIDEO 2 AUDIO IN, VIDEO 1 AUDIO IN/OUT)	
< RESISTOR >			
R2552	1-216-821-11	METAL CHIP	1K 5% 1/10W
R2553	1-216-821-11	METAL CHIP	1K 5% 1/10W
R2554	1-216-821-11	METAL CHIP	1K 5% 1/10W
R2555	1-216-841-11	METAL CHIP	47K 5% 1/10W
R2556	1-216-841-11	METAL CHIP	47K 5% 1/10W
R2557	1-216-841-11	METAL CHIP	47K 5% 1/10W
R2558	1-216-841-11	METAL CHIP	47K 5% 1/10W
R2559	1-216-821-11	METAL CHIP	1K 5% 1/10W
R2560	1-216-821-11	METAL CHIP	1K 5% 1/10W
R2561	1-216-841-11	METAL CHIP	47K 5% 1/10W
R2562	1-216-841-11	METAL CHIP	47K 5% 1/10W
R2563	1-216-821-11	METAL CHIP	1K 5% 1/10W
R2564	1-216-821-11	METAL CHIP	1K 5% 1/10W
R2565	1-216-821-11	METAL CHIP	1K 5% 1/10W
R2566	1-216-841-11	METAL CHIP	47K 5% 1/10W
R2567	1-216-841-11	METAL CHIP	47K 5% 1/10W
R2568	1-216-821-11	METAL CHIP	1K 5% 1/10W
R2569	1-216-821-11	METAL CHIP	1K 5% 1/10W
R2570	1-216-821-11	METAL CHIP	1K 5% 1/10W
R2571	1-216-841-11	METAL CHIP	47K 5% 1/10W
R2572	1-216-841-11	METAL CHIP	47K 5% 1/10W
R2573	1-216-841-11	METAL CHIP	47K 5% 1/10W
R2574	1-216-841-11	METAL CHIP	47K 5% 1/10W
R2575	1-216-821-11	METAL CHIP	1K 5% 1/10W
R2577	1-216-821-11	METAL CHIP	1K 5% 1/10W
R2578	1-216-821-11	METAL CHIP	1K 5% 1/10W
R2579	1-216-821-11	METAL CHIP	1K 5% 1/10W
R2580	1-216-821-11	METAL CHIP	1K 5% 1/10W
R2581	1-216-841-11	METAL CHIP	47K 5% 1/10W
R2582	1-216-841-11	METAL CHIP	47K 5% 1/10W
*****			
VOLUME BOARD			
*****			
< CONNECTOR >			
CNP104	1-779-978-11	PIN, CONNECTOR 3P	
< ROTARY ENCODER >			
RV103	1-418-725-41	ENCODER, ROTARY (12 TYPE)	(MASTER VOLUME)
*****			

Ref. No.	Part No.	Description	Remark
		MISCELLANEOUS *****	
3	1-469-089-11	FILTER, CLAMP (FERRITE CORE)	
57	1-829-054-11	WIRE (FLAT TYPE) (29 CORE)	
153	1-828-933-11	WIRE (FLAT TYPE) (5 CORE)	
154	1-828-962-11	WIRE (FLAT TYPE) (11 CORE)	
155	1-828-964-11	WIRE (FLAT TYPE) (11 CORE)	
251	1-828-971-11	WIRE (FLAT TYPE) (13 CORE)	
256	1-693-675-11	TUNER UNIT	
257	1-469-089-11	FILTER, CLAMP (FERRITE CORE)	
△ F901	1-533-312-12	FUSE, GLASS CYLINDRICAL (DIA.5)	(10A/125V)
△ F902	1-533-453-12	FUSE, GLASS TUBE (DIA. 5) (5A/125V)	
Q423	8-729-051-92	TRANSISTOR	2SD2560
Q424	8-729-051-93	TRANSISTOR	2SB1647
Q473	8-729-051-92	TRANSISTOR	2SD2560
Q474	8-729-051-93	TRANSISTOR	2SB1647
Q523	8-729-051-92	TRANSISTOR	2SD2560
Q524	8-729-051-93	TRANSISTOR	2SB1647
Q573	8-729-051-92	TRANSISTOR	2SD2560
Q574	8-729-051-93	TRANSISTOR	2SB1647
Q623	8-729-051-92	TRANSISTOR	2SD2560
Q624	8-729-051-93	TRANSISTOR	2SB1647
Q673	8-729-051-92	TRANSISTOR	2SD2560
Q674	8-729-051-93	TRANSISTOR	2SB1647
Q723	8-729-051-92	TRANSISTOR	2SD2560
Q724	8-729-051-93	TRANSISTOR	2SB1647
△ T901	1-443-592-11	POWER TRANSFORMER	
*****			
		ACCESSORIESE *****	
	1-479-152-11	COMMANDER, STANDARD (RM-AAE001)	
	1-501-374-12	ANTENNA, LOOP (AM)	
	1-793-184-23	CONNECTOR (F TYPE ADAPTOR) (AM)	
△	1-823-512-12	CORD, POWER	
	2-580-805-11	INSTRUCTION MANUAL (ENGLISH)	
	2-580-805-21	INSTRUCTION MANUAL (FRENCH) (Canadian)	

